

ASSEMBLY INSTRUCTIONS



5/8 WAVE COMMERCIAL GROUND PLANE WITH RADIALS



MACO ALPHA V58

MACO Antennas - Division of Charles Electronics, LLC
302 S. East Street, Mount Carroll, IL 61053
815-244-3500

Visit our website: www.macoantennas.net

Copyright © 2010 Charles Electronics LLC - All Rights Reserved

PACKING LIST

MACO ALPHA V58

PART	QTY	O.D.	SIZE	LENGTH	DESCRIPTION	CHECKLIST
T47P	4	5/8"	.047"	36"	Aluminum Tubing	—
T43P	1	7/8"	.047"	48"	Aluminum Tubing	—
T18P	1	3/4"	.047"	48"	Aluminum Tubing	—
T15P	1	5/8"	.047"	48"	Aluminum Tubing	—
T01	5	1/2"	.047"	72"	Aluminum Tubing	—
R01P	2	3/8"	.035"	17 7/8"	Hoop Ring	—
BA1P	1				Base Assembly	—

HARDWARE BAG

PART	QTY	SIZE	DESCRIPTION	CHECKLIST
R03P	1	1.5"	1-Hole Cast Aluminum Spider	—
P08P	1	5-1/2"	Bracket w/SO239 and Wire	—
R02P	1	1/2"x1/8"x 7-3/4"	Aluminum Strap	—
C01	1	3/8"	Stainless Steel Clamp	—
W58	9	5/8"	Extruded Aluminum Clamp	—
W34	1	3/4"	Extruded Aluminum Clamp	—
W78	1	7/8"	Stainless Steel Hose Clamp	—
C13P	1	1.845"	Clamp Ring	—
W10P	2	1"	Stainless Steel Hose Clamp	—
S21	16	#10-24 x 1/2"	Machine Screws (2 extra included)	—
S23	1	3/8-16 x 1"	Hex Bolt	—
S24	1	5/16-18 x 1"	Hex Bolt	—
N11	16	#10-24	Square Nuts (2 extra included)	—
N01	1	5/16-18"	Hex Nut	—
N26	5	#10	Flat Washers (1 extra included)	—
N12	5	#10	Lock Washers (1 extra included)	—
N19	1	3/8-16"	Hex Nut	—
PL2	5	.437"	Plastic Cap – Black	—
N20	1	3/8"	Lock Washer	—
	1		Instruction Sheet	—
	1		Warranty Sheet	—
	1		Safety Sheet	—

Please Note: In an effort to keep the price on Maco Antennas down, we have decided not to clean up all the burrs and rough edges on the parts. We recommend that you deburr and clean up each part with files, sandpaper, etc. so that they go together easily. We are aware this needs to be done, but have elected not to do it to save you the money we would have to add to the price of the kit for this service.

MACO ALPHA V58

26-33 MHz Base Station Antenna

ASSEMBLY INSTRUCTIONS

FIGURE 1 BASE ASSEMBLY

Install the Bracket P08P to the Base Assembly BA1P (See Detail 1A). It should make a 90 degree angle with the base assembly. If not, bend the P08P until it does.

Fasten one end of the Strap R02P (See Detail 1C) to the vertical end of the base section using Clamp W10P. Tighten snugly, but not too tight, as this may have to be adjusted.

Next join together the two Hoop Rings R01P (See Detail 1D) using #10 Hardware S21, N26, N11, and N12.

Now fasten one end of the hoop ring assembly to Bracket P08P (See Detail 1E) and the other end to Strap R02P using #10 Hardware S21, N26, N11, and N12.

Position the aluminum Clamp C01 on the hoop ring assembly approximately where shown (See Detail 1F) and attach the wire as shown using #10 Hardware S21, N26, N12, and N11; do not tighten. Now measure from the center of the screw (See Detail 1D) around the outside of the ring 6-1/4" toward the P08P end of the hoop ring assembly until the edge of the clamp is against the mark; tighten snugly.

Now make the final adjustment of Strap R02P so that the distance between the ends of the rings is 1". This is a vertical separation of 1". **This 1" separation is a critical dimension (ignore the screws in this measurement) and tighten the clamp firmly.**

FIGURE 2 ELEMENT ASSEMBLY AND MAST MOUNTING

To install the vertical elements T43P, T18P, T15P, and T01 use a felt tip marker and ruler, and mark 6" from one end. Mark the T01 4" from one end. Now using the clamps and hardware as shown (See Detail 2A) slide the ends into the larger sections to the mark and tighten clamps. Install the plastic Cap PL2 on the top. **THE OVERALL LENGTH MUST BE SELECTED FROM THE FREQUENCY CHART ON THE NEXT PAGE AND ADJUSTED TO THIS MEASUREMENT.** Shorten at top Clamp W10P. This is important to assure low SWR; however, the chart length is not sacred and may be changed to allow for variations in construction. For frequencies falling between those shown on the chart, it is suggested that interpolation be used to get the starting point for adjusting. **Note: Overall length is the distance from the top of part T01 to the bottom of part BA1P.** This is important as variations in base construction may cause the length at which the selected frequency has low SWR to vary.

To install the radials, first put the cast aluminum Spider R03P bracket on the Base Assembly BA1P as shown (See Detail 2B). Install the 3/8-16 x 1" Hex Bolt, Nut, and Lock Washer (S23, N19, and N20) in the bracket. The bracket is positioned so that there is 1/2" clearance between the top of the spider and the bottom of the Bracket P08P. Now tighten the hex bolt and nut. Next take the four T47P radials and Clamps W58 with #10-24 x 1/2" Machine Screws and Square Nuts (S21 and N11); place the clamps with the hardware installed over ends of the tubes. Now slide the radials onto the bracket stubs (See Detail 2B) and tighten the clamps.

Next take the four T01 radials and using a marking pen, mark 4" from one end on all four radials. Now using Clamps W58 with #10-24 x 1/2" Machine Screws and Square Nuts (S21 and N11); insert the marked end of the tubes to the mark and tighten the clamps (See Detail 2C). Install plastic Caps PL2 on the ends. Exact length is not critical.

MACO ALPHA V58 ASSEMBLY INSTRUCTIONS

(Continued)

MOUNTING THE BASE SECTION

The Clamp Ring C13P is round when received. It must be made egg shaped enough to allow the Hex Nut N01 to go between the clamp and the Base Assembly BA1P.

On a mast with an outside diameter of up to 1-1/4", position the Clamp Ring C13P on the base and install the 5/16-18 x 1" Hex Bolt S24 and Nut N01 as shown (See Detail 2D). Insert mast pipe 6" into the base and tighten.

ADJUSTING THE STANDING WAVE RATIO (SWR)

There are only two possible adjustments. The main adjustment is the length of the antenna. This should be changed at the top of the base section. Loosen Hose Clamp W10P and adjust. It is recommended that you work in 1/4" increments so as to tell if you are going in the right direction.

The other adjustment is the position of the Clamp C01 on the ring. It is recommended that if the SWR is about the same on both ends of the band, this adjustment be left alone. Adjust only to try to get the same SWR at both ends of the band equal. This adjustment only moves the SWR a small amount.

REMEMBER THIS ANTENNA REACTS TO EVERYTHING IT CAN SEE. THIS MEANS THAT TREES, POWER LINES, BUILDINGS, AND OTHER ANTENNAS AT THE SAME HEIGHT WILL AFFECT THE SWR. THE V58 CAN BE TUNED MOUNTED 6 FEET OR SO ABOVE THE GROUND AND SHOULD NOT CHANGE WHEN PERMANENTLY INSTALLED.

FREQUENCY TO LENGTH CHART for V58 26-33 MHz Antenna
THIS CHART MUST BE USED TO SELECT THE OVERALL LENGTH FOR THE ANTENNA.

FREQUENCY (MHz)	OVERALL LENGTH (INCHES)
26.0	249
27.0	248
28.0	232-5/8
29.0	225-3/4
30.0	215-1/4
31.0	209-1/8
32.0	203-1/2
33.0	198-1/4

NOTE:

- 1 - To use at other frequencies (25-50 MHz), change the length.
- 2 - These measurements are for the overall length of the antenna. This means the top is where the plastic cap goes and the bottom is below the hole for the mounting bracket C13P.

IF THIS ADJUSTMENT IS NOT MADE THE ANTENNA WILL NOT WORK CORRECTLY!

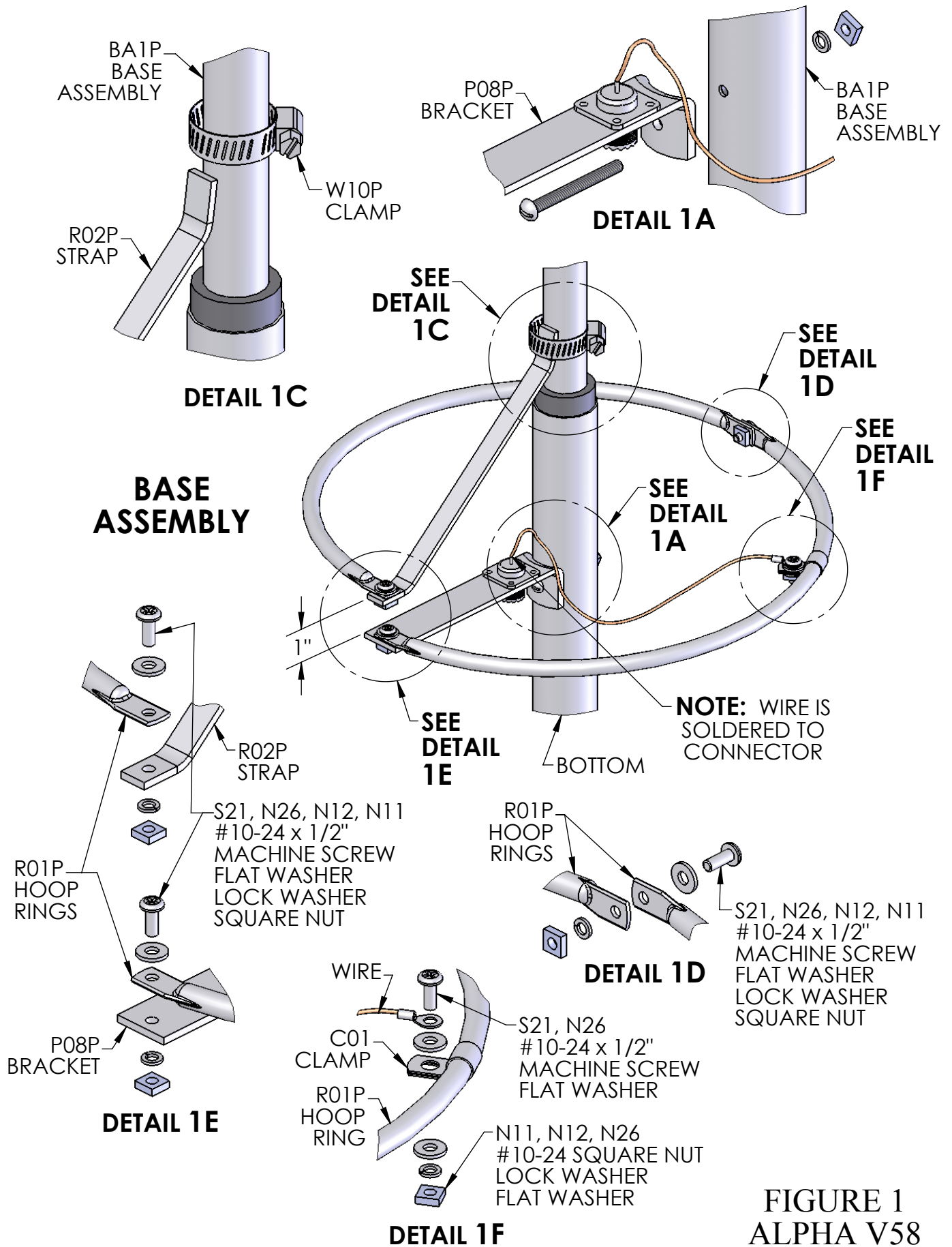
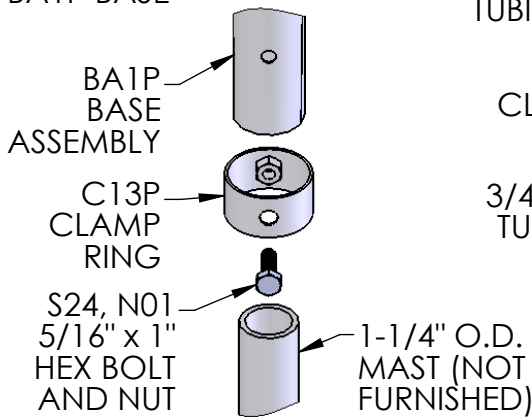
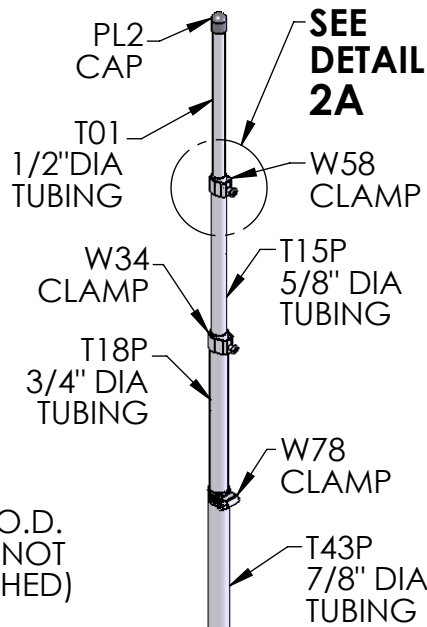


FIGURE 1
ALPHA V58

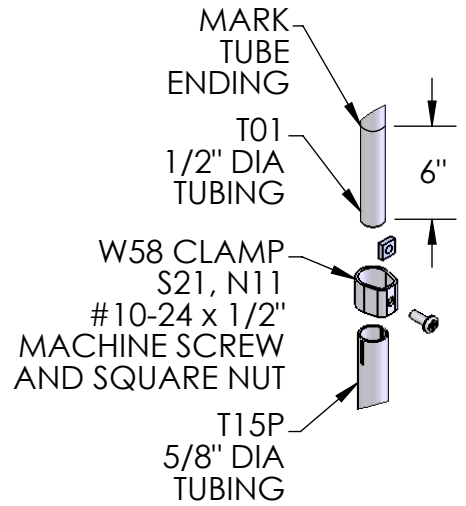
NOTE: C13P IS ROUND AS RECEIVED. IT MUST BE MADE EGG-SHAPED ENOUGH TO LET NUT N01 FIT BETWEEN C13P AND BA1P BASE



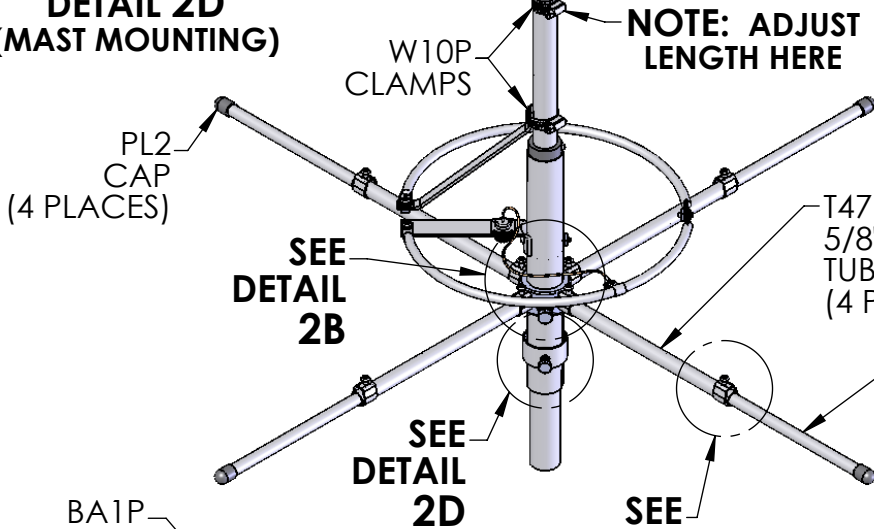
**DETAIL 2D
(MAST MOUNTING)**



**SEE
DETAIL
2A**



**DETAIL 2A
(TYPICAL VERTICAL
ELEMENT ASSEMBLY)**

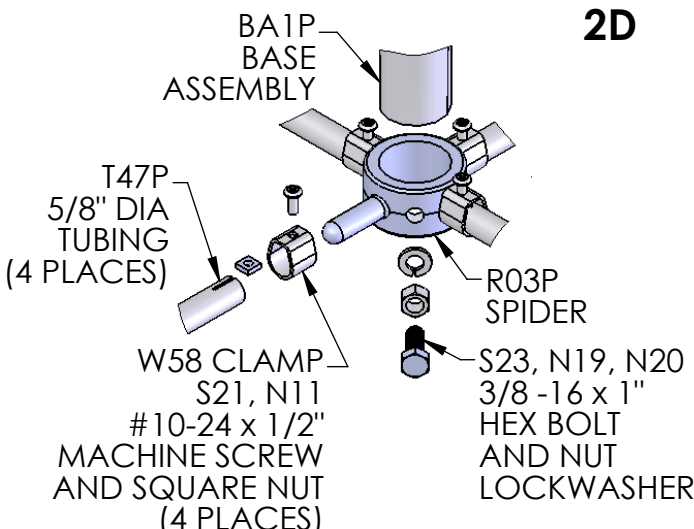


**NOTE: ADJUST
LENGTH
HERE**

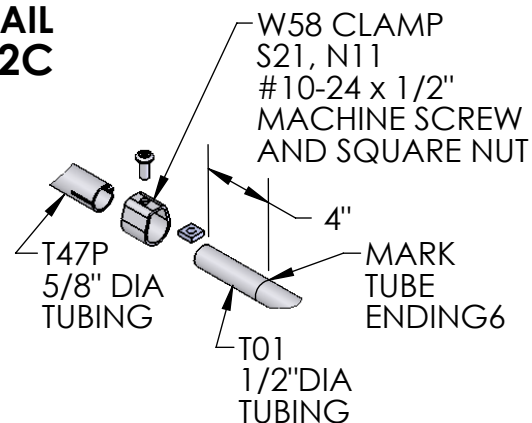
**SEE
DETAIL
2B**

**SEE
DETAIL
2D**

**SEE
DETAIL
2C**



DETAIL 2B



**DETAIL 2C
(4 PLACES)**

**FIGURE 2
ALPHA V58**



Caution:

**TAKE CARE TO AVOID ANY CONTACT WITH
OVERHEAD POWER LINES WHEN RAISING,
INSTALLING, OR REPAIRING YOUR
ANTENNA, TOWER, OR ROTOR.**

DEATH WILL OCCUR!



Installing and rigging towers, masts and antennas require specialized skills and experience. Information supplied by MACo assumes that all products will be installed by personnel having these skills and have installed similar products before. No one should attempt to install towers or masts without these knowledgeable skills.

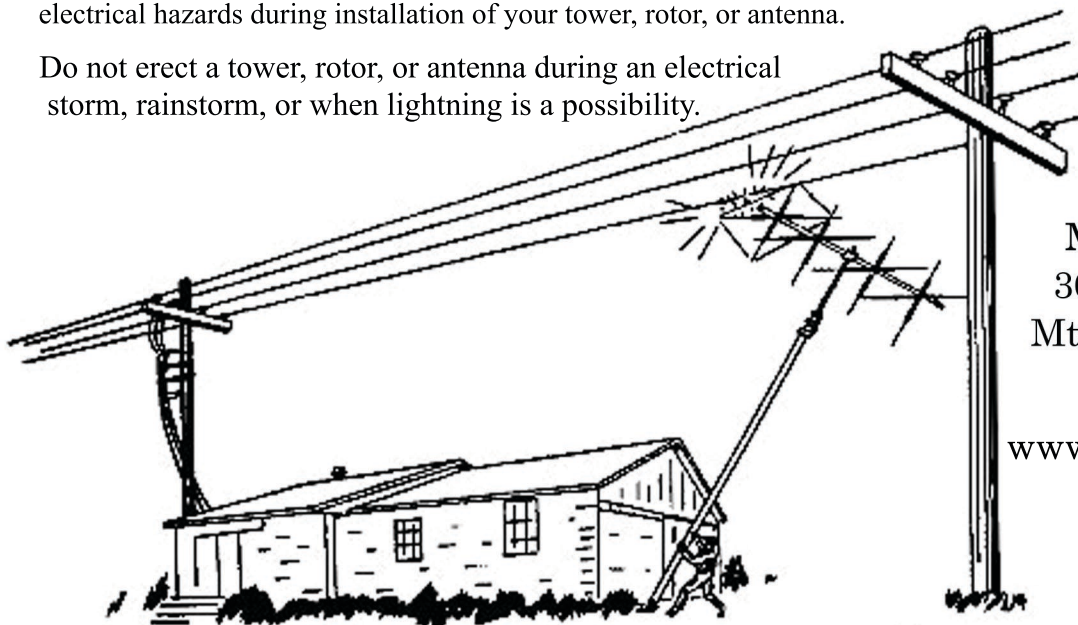
MACo assumes no liability if faulty or dangerous installation practices are used. There are available, trained and experienced personnel to assist in installation, maintenance, or disassembly. Contact your local installer if consultation or assistance is required.

All tower and antenna installations should be thoroughly inspected at least twice a year by qualified, experienced, and trained personnel to insure proper performance and safety standards.

Electrical Warning

An additional warning precaution is given to be careful of surrounding high voltage power wires and other electrical hazards during installation of your tower, rotor, or antenna.

Do not erect a tower, rotor, or antenna during an electrical storm, rainstorm, or when lightning is a possibility.



MACo Antennas
302 S. East Street
Mt. Carroll, IL 61053

www.macoantennas.net
(815) 244-3500

MACo Antennas is a Division of Charles Electronics, LLC