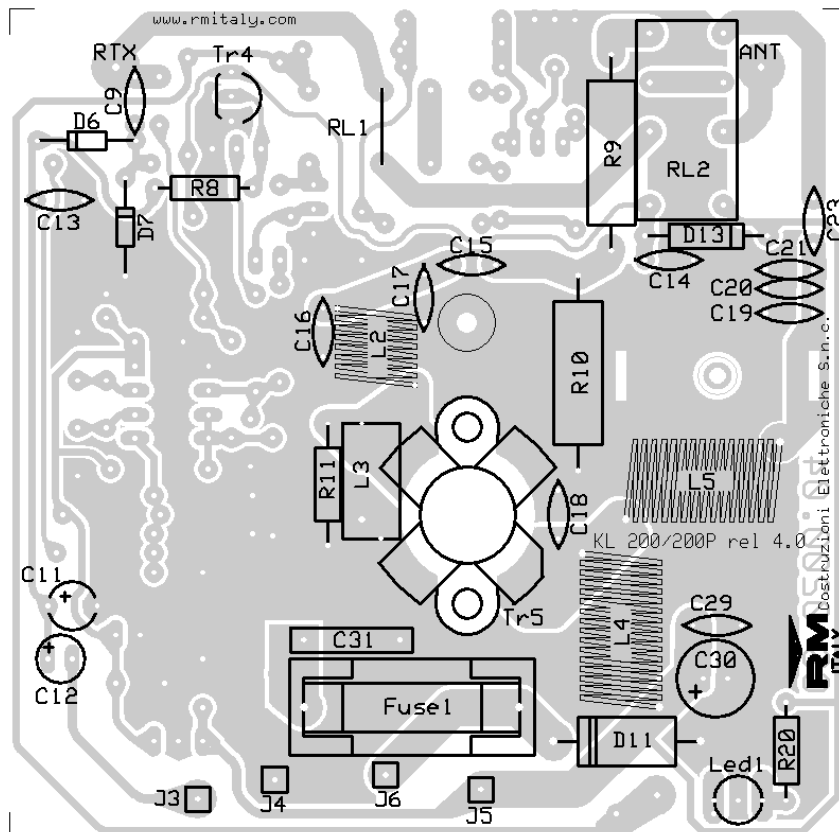
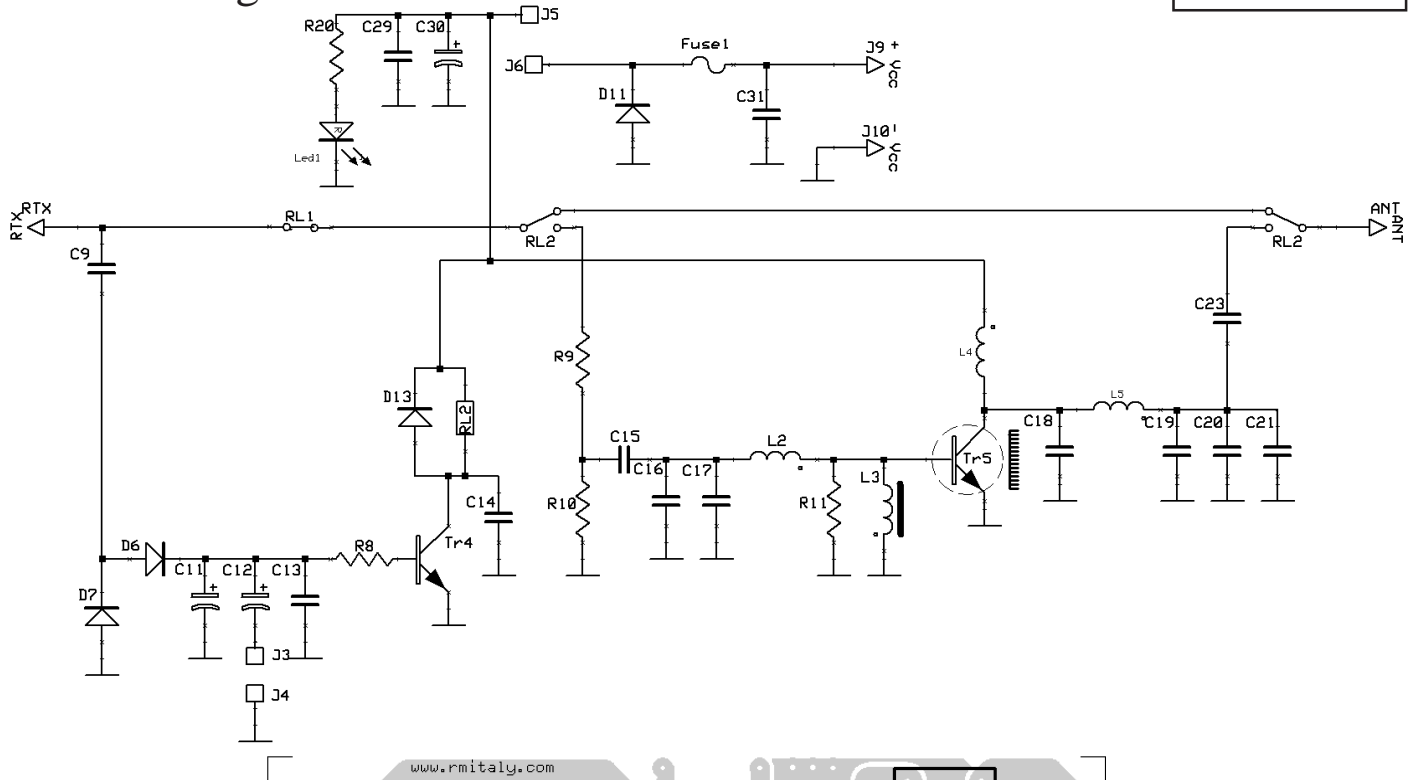


KL 200 linear amplifier

Schematic diagram

Version 4.10



List of components

| | | | |
|------------------|--|-----------------|-----------|
| C ₉ | = 8,2 pF | 50 V | NP0 |
| C ₁₁ | = 4,7 μ F | 16 V | |
| C ₁₂ | = 33 μ F | 16 V | |
| C ₁₃ | = 10 nF | 50 V | |
| C ₁₄ | = 10 nF | 50 V | |
| C ₁₅ | = 100 pF | 50 V | NP0 |
| C ₁₆ | = 220 pF | 50 V | N750 |
| C ₁₇ | = 270 pF | 50 V | N750 |
| C ₁₈ | = 120 pF | 500 V | NP0 |
| C ₁₉ | = 220 pF | 500 V | N750 |
| C ₂₀ | = 270 pF | 500 V | N750 |
| C ₂₁ | = 120 pF | 500 V | NP0 |
| C ₂₃ | = 1,0 nF | 500 V | |
| C ₂₉ | = 100 nF | 50 V | |
| C ₃₀ | = 47 μ F | 16 V | |
| C ₃₁ | = 470 nF | 100 V | Polyester |
| R ₈ | = 2,2 K Ω | $\frac{1}{4}$ W | |
| R ₉ | = 22 Ω | 2W | |
| R ₁₀ | = 120 Ω | 2W | |
| R ₁₁ | = 10 Ω | $\frac{1}{2}$ W | |
| R ₂₀ | = 1,0 K Ω | $\frac{1}{4}$ W | |
| D ₆ | = 1N4148 | | |
| D ₇ | = 1N4148 | | |
| D ₁₁ | = 1N5400 | | |
| D ₁₃ | = 1N4007 | | |
| Led ₁ | = Led Rosso | | |
| TR ₄ | = BC 547 | | |
| TR ₅ | = SD 1446 | | |
| L ₂ | = 3 turns ϕ 8 mm wire ϕ 0,8 mm | ANRA 289 | |
| L ₃ | = VK200 | | |
| L ₄ | = 12 turns ϕ 6 mm wire ϕ 1 mm | ANRA 455 | |
| L ₅ | = 3 turns ϕ 7,5 mm wire ϕ 1,2 mm | ANRA 289/3 | |
| RI ₁ | = 0 Ω Wire | | |
| RI ₂ | = Relè 12 V 3022 | | |
| Fuse | = 12 A | | |