



RM Costruzioni Elettroniche

di Marchioni Davide & Daniele s.n.c.

Via IV Novembre 215/5

Casella postale N° 33

40045 Ponte della Venturina (BO) ITALY

Tel +39 0534 60460

Fax +39 0534 60463

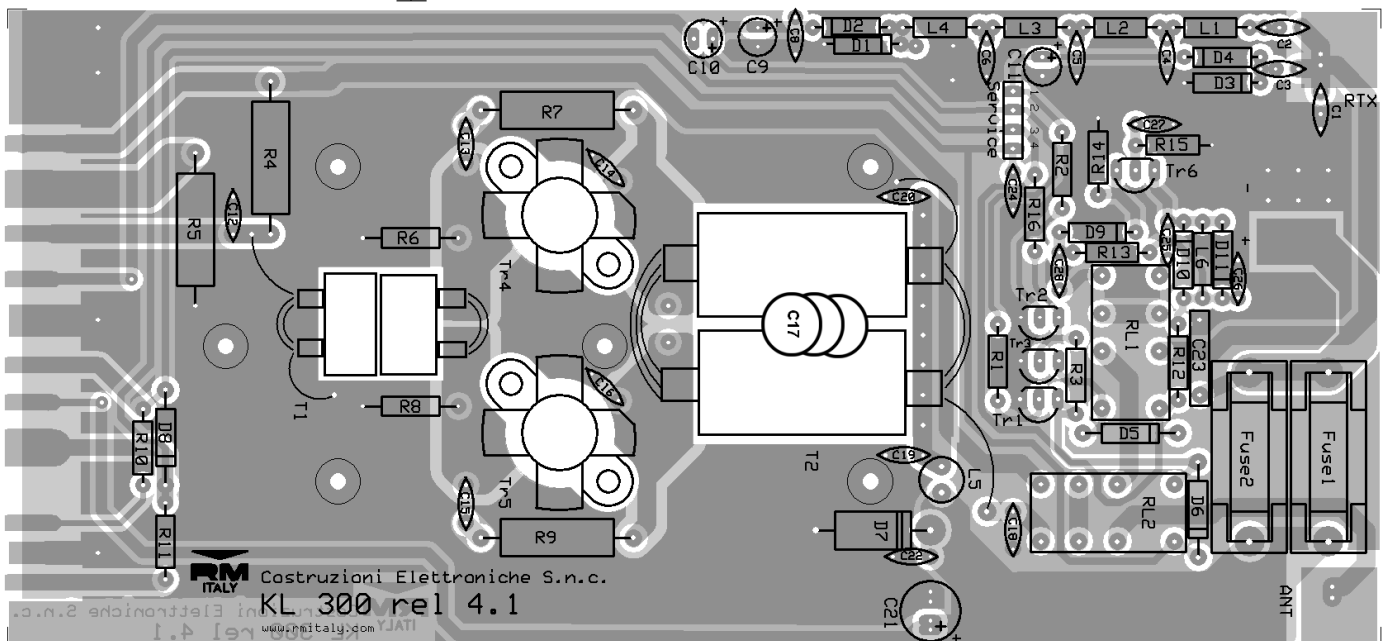
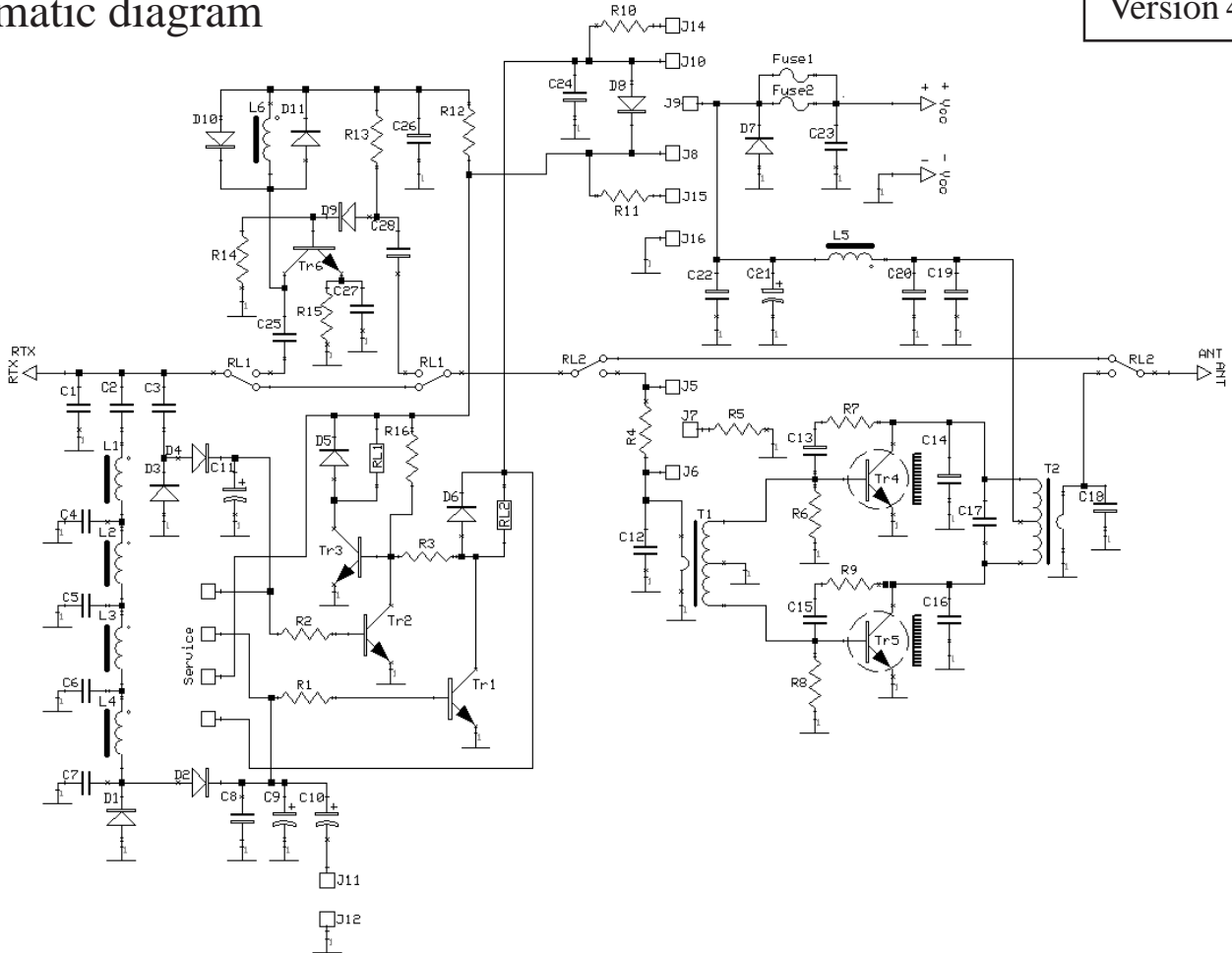
E-MAIL ufftec@rmitaly.com

http://www.rmitaly.com

Mod. KL 300/P linear amplifier

Schematic diagram

Version 4.10




 Costruzioni Elettroniche S.n.c.
 KL 300 rel 4.1
www.rmitaly.com

List of components

C ₁	= 33 pF	50 V	NP0		D ₇	= 1N5400
C ₂	= 3,3 pF	50 V	NP0		D ₈	= 1N4007
C ₃	= 8,2 pF	50 V	NP0		D ₉	= 1N4148
C ₄	= 100 pF	50 V	NP0		D ₁₀	= 1N4148
C ₅	= 100 pF	50 V	NP0		D ₁₁	= 1N4148
C ₆	= 100 pF	50 V	NP0		Tr ₁	= BC 547
C ₈	= 10 nF	50 V			Tr ₂	= BC 547
C ₉	= 4,7 μF	16 V			Tr ₃	= BC 547
C ₁₀	= 33 μF	16 V			Tr ₄	= SD 1446
C ₁₁	= 10 μF	16 V			Tr ₅	= SD 1446
C ₁₂	= 150 pF	50 V	NP0		Tr ₆	= BF 199
C ₁₃	= 47 nF	50 V			L ₁	= 2,2 μH
C ₁₄	= 180 pF	500 V	N750		L ₂	= 2,2 μH
C ₁₅	= 47 nF	50 V			L ₃	= 2,2 μH
C ₁₆	= 180 pF	500 V	N750		L ₄	= 2,2 μH
C ₁₇	= 2 x 220 + 270 pF	500 V	N750	N750	L ₅	= VK 200 2 Wires
C ₁₈	= 47 pF	1000 V	N750		L ₆	= 10 μH
C ₁₉	= 100 nF	50 V			T ₁	= Input Transformer
C ₂₀	= 100 nF	50 V			T ₂	= Output Transformer
C ₂₁	= 470 μF	25V			Rl ₁	= Relè 12 V 3022
C ₂₂	= 100 nF	50 V			Rl ₂	= Relè 12 V 3022
C ₂₃	= 470 nF	100 V	Polyester		Fuse ₁	= Fuse ₂ = 12 A Fast
C ₂₄	= 100 nF	50 V				
C ₂₅	= 150 pF	50 V	NP0			
C ₂₆	= 10 nF	50 V				
C ₂₇	= 470 pF	50 V	N750			
C ₂₈	= 56 pF	50 V	NP0			
R ₁	= 2,2 KΩ	¼W				
R ₂	= 2,2 KΩ	¼W				
R ₃	= 12 KΩ	¼W				
R ₄	= 27 Ω	2W				
R ₅	= 180 Ω	2W				
R ₆	= 10 Ω	½W				
R ₇	= 68 Ω	2W				
R ₈	= 10 Ω	½W				
R ₉	= 68 Ω	2W				
R ₁₀	= 1,0 KΩ	¼W				
R ₁₁	= 1,0 KΩ	¼W				
R ₁₂	= 100 Ω	¼W				
R ₁₃	= 12 KΩ	¼W				
R ₁₄	= 2,2 KΩ	¼W				
R ₁₅	= 100 Ω	¼W				
R ₁₆	= 12 KΩ	¼W				
D ₁	= 1N4148					
D ₂	= 1N4148					
D ₃	= 1N4148					
D ₄	= 1N4148					
D ₅	= 1N4007					
D ₆	= 1N4007					