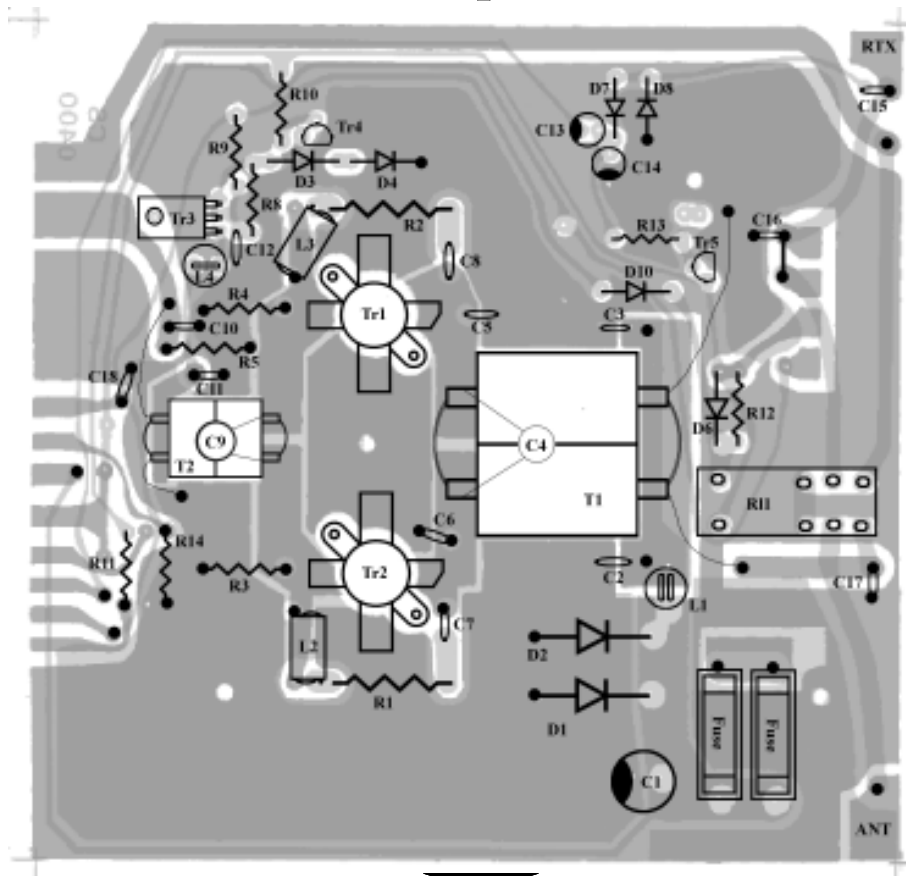
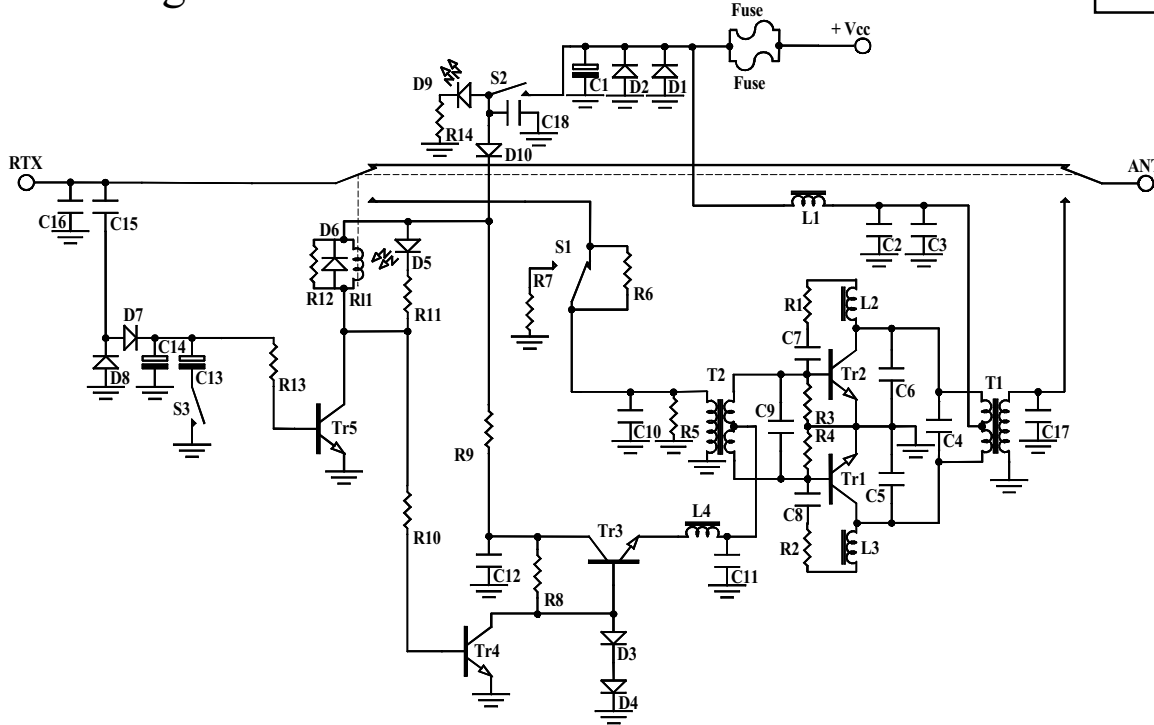


## KL 351-24 linear amplifier

Schematic diagram

Version 1.30



**List of components**

C <sub>1</sub>	= 470 μF	35 V	
C <sub>2</sub>	= 100 nF	50 V	
C <sub>3</sub>	= 100 nF	50 V	
C <sub>4</sub>	=		
C <sub>5</sub>	= 220 pF	500 V	N750
C <sub>6</sub>	= 220 pF	500 V	N750
C <sub>7</sub>	= 47 nF	50 V	
C <sub>8</sub>	= 47 nF	50 V	
C <sub>9</sub>	= 3 x 470 pF	50 V	N750
C <sub>10</sub>	= 150 pF	50 V	N750
C <sub>11</sub>	= 10 nF	50 V	
C <sub>12</sub>	= 100 nF	50 V	
C <sub>13</sub>	= 33 μF	16 V	
C <sub>14</sub>	= 4,7 μF	16 V	
C <sub>15</sub>	= 8,2 pF	50 V	
C <sub>16</sub>	= 22 pF	50 V	N750
C <sub>17</sub>	= 47 pF	500 V	N750
C <sub>18</sub>	= 10 nF	50 V	
R <sub>1</sub>	= 68 Ω	2W	
R <sub>2</sub>	= 68 Ω	2W	
R <sub>3</sub>	= 10 Ω	½W	
R <sub>4</sub>	= 10 Ω	½W	
R <sub>5</sub>	= 150 Ω	2W	
R <sub>6</sub>	= 47 Ω	2W	
R <sub>7</sub>	= 150 Ω	2W	
R <sub>8</sub>	= 3,3 KΩ	½W	
R <sub>9</sub>	= 1,0 Ω	½W	
R <sub>10</sub>	= 12 KΩ	¼W	
R <sub>11</sub>	= 2,2 KΩ	½W	
R <sub>12</sub>	= 1,2 KΩ	½W	
R <sub>13</sub>	= 2,2 KΩ	¼W	
R <sub>14</sub>	= 2,2 KΩ	½W	
D <sub>1</sub> = D <sub>2</sub>	= 1N5400		
D <sub>3</sub> = D <sub>4</sub> = D <sub>6</sub> = D <sub>10</sub>	= 1N4004		
D <sub>7</sub> = D <sub>8</sub>	= 1N4148		
D <sub>5</sub>	= LED red		
D <sub>9</sub>	= LED green		
Tr <sub>1</sub> = Tr <sub>2</sub>	= SD 1407		
Tr <sub>3</sub>	= BD 179		
Tr <sub>4</sub> = Tr <sub>5</sub>	= BC 547		
L <sub>1</sub>	= VK 200 2 wires		
L <sub>2</sub> = L <sub>3</sub>	= VK 200 normal		
L <sub>4</sub>	= VK 200 1 wire		
RI <sub>1</sub>	= Relè 24 V 4052		
Fuse	= 2x8A		
S <sub>1</sub>	= Switch 3A (HI LOW)		
S <sub>2</sub>	= Switch 3A (Lin ON)		
S <sub>3</sub>	= Switch 3A (SSB)		

T<sub>2</sub> = Input transformer Filo cm.22T<sub>1</sub> = Output transformer Filo cm. 38