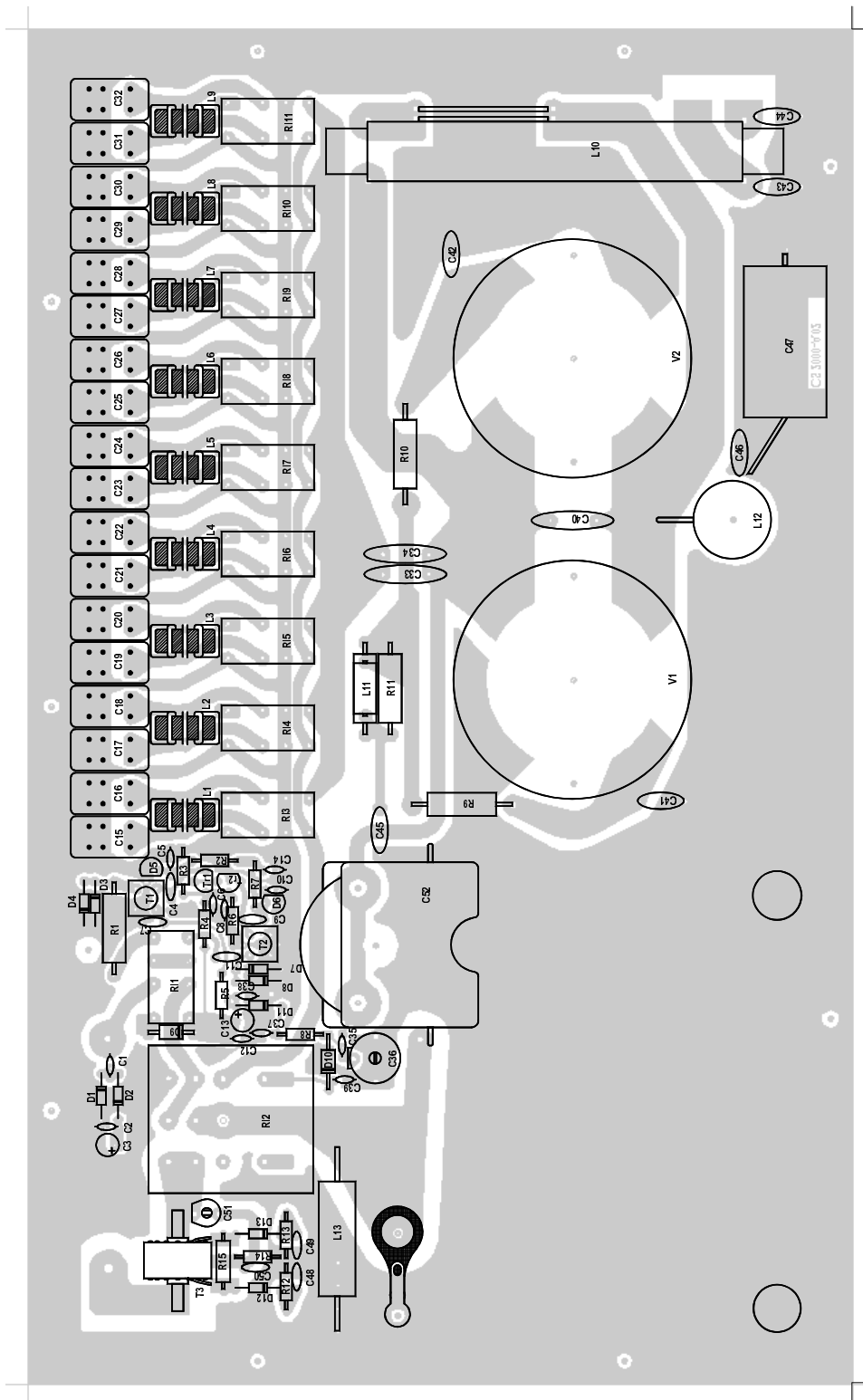
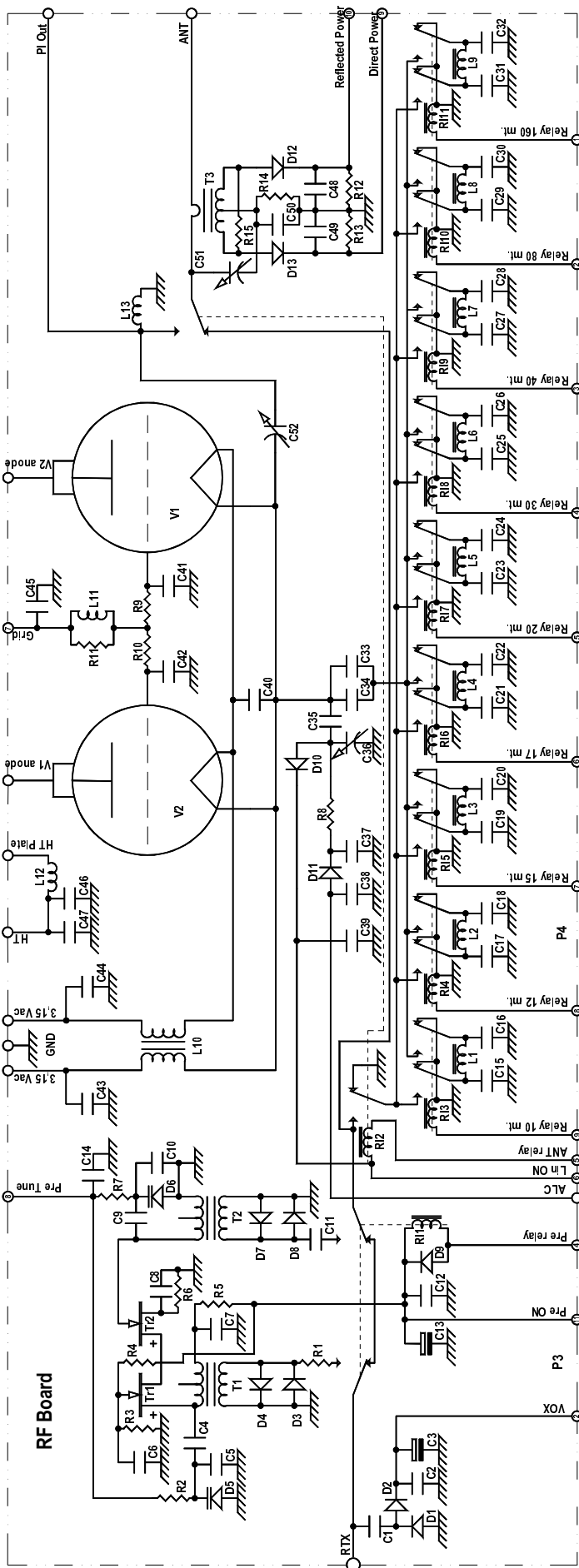


KLV 2000 A RF Board

Version 1.01



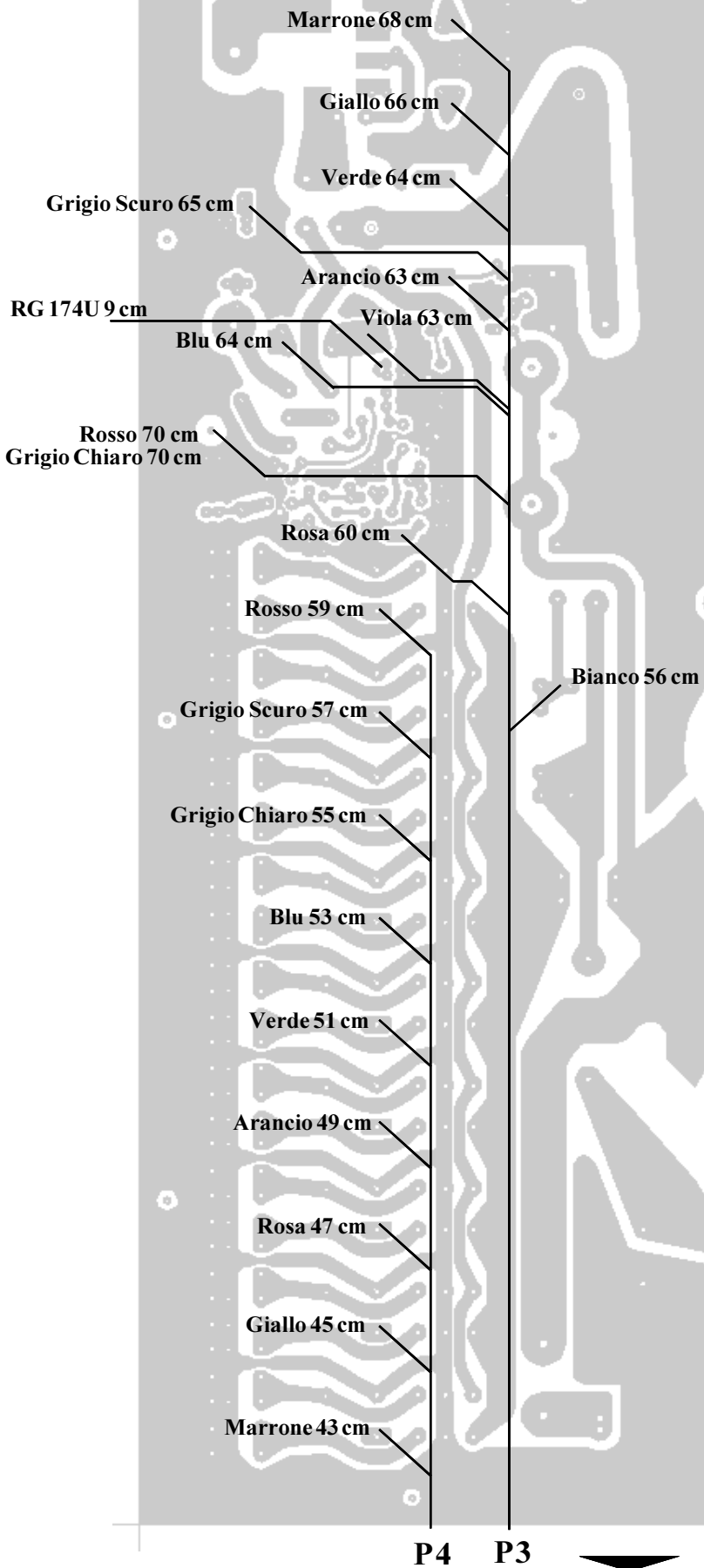
List of components



C 1	=	2,2 pF	50 V	NP0
C 2	=	100 nF	50 V	
C 3	=	2,2 µF	25 V	
C 4	=	100 nF	50 V	
C 5	=	10 pF	50 V	NP0
C 6	=	100 nF	50 V	
C 7	=	100 nF	50 V	
C 8	=	100 nF	50 V	
C 9	=	100 nF	50 V	
C 10	=	10 pF	50 V	NP0
C 11	=	100 nF	50 V	
C 12	=	100 nF	50 V	
C 13	=	22 µF	16 V	
C 14	=	100 nF	50 V	
C 15	=	2 x 91 pF	500V	Silvered Mica
C 16	=	2 x 39 pF	500V	Silvered Mica
C 17	=	220 pF	500V	Silvered Mica
C 18	=	91 pF	500V	Silvered Mica
C 19	=	200 pF	500V	Silvered Mica
C 20	=	39 pF	500V	Silvered Mica
C 21	=	240 pF	500V	Silvered Mica
C 22	=	39 pF	500V	Silvered Mica
C 23	=	240 + 51 pF	500V	Silvered Mica
C 24	=	51 pF	500V	Silvered Mica
C 25	=	620 + 91 pF	500V	Silvered Mica
C 26	=	220 + 39 pF	500V	Silvered Mica
C 27	=	2 x 240 pF	500V	Silvered Mica
C 28	=	2 x 91 pF	500V	Silvered Mica
C 29	=	2 x 560 pF	500V	Silvered Mica
C 30	=	560 pF	500V	Silvered Mica
C 31	=	2200 + 240 pF	500V	Silvered Mica
C 32	=	1600 pF	500V	Silvered Mica
C 33	=	2,2 nF	3 KV	
C 34	=	2,2 nF	3 KV	
C 35	=	2,2 pF	50 V	NP0
C 36	=	10 - 80 pF	Trimmer	
C 37	=	100 nF	50 V	
C 38	=	100 nF	50 V	
C 39	=	10 nF	50 V	
C 40	=	2,2 nF	3 KV	
C 41	=	220 pF	3 KV	
C 42	=	220 pF	3 KV	
C 43	=	1,0 nF	3 KV	
C 44	=	1,0 nF	3 KV	
C 45	=	1,0 nF	3 KV	
C 46	=	1,0 nF	3 KV	
C 47	=	22 nF	3 KV	Polyester
C 48	=	100 nF	50 V	

C ₄₉	=	100 nF	50 V			Tr ₂	=	BF 245
C ₅₀	=	470 pF	50 V	N750		V ₁	=	572 B
C ₅₁	=	3 - 10 pF	Trimmer			V ₂	=	572 B
C ₅₂	=	30 pF	Variable capacitor			Rl ₁	=	3022-12
R ₁	=	15 Ω	2 W			Rl ₂	=	6543-12 Modified
R ₂	=	47 KΩ	¼ W			Rl ₃ = Rl ₁₁	=	3022-12
R ₃	=	22 KΩ	¼ W					
R ₄	=	56 KΩ	¼ W					
R ₅	=	470 Ω	¼ W					
R ₆	=	180 Ω	¼ W					
R ₇	=	47 KΩ	¼ W					
R ₈	=	4,7 KΩ	¼ W					
R ₉	=	33 Ω	5 W					
R ₁₀	=	33 Ω	5 W					
R ₁₁	=	1,0 KΩ	2 W					
R ₁₂	=	4,7 KΩ	¼ W					
R ₁₃	=	4,7 KΩ	¼ W					
R ₁₄	=	1,0 KΩ	¼ W					
R ₁₅	=	47 Ω	½ W					
L ₁	=	AN414/6	0,27 μH	6 turns	wire ø 0,90 mm	cm16		
L ₂	=	AN414/7	0,34 μH	7 turns	wire ø 0,90 mm	cm 18,5		
L ₃	=	AN414/9	0,51 μH	9 turns	wire ø 0,90 mm	cm 21		
L ₄	=	AN414/10	0,63 μH	10 turns	wire ø 0,90 mm	cm 23		
L ₅	=	AN414/13	0,97 μH	13 turns	wire ø 0,90 mm	cm 28		
L ₆	=	AN414/13	0,97 μH	13 turns	wire ø 0,90 mm	cm 28		
L ₇	=	AN414/20	2,15 μH	20 turns	wire ø 0,63 mm	cm 41		
L ₈	=	AN414/26	3,60 μH	26 turns	wire ø 0,50 mm	cm 48		
L ₉	=	AN414/37	6,70 μH	37 turns	wire ø 0,355 mm	cm 62		
L ₁₀	=	ANRA 112/26	26 turn double wire	ø 1,5 mm				
L ₁₁	=	150 μH	Assiale					
L ₁₂	=	240 μH	160 turn, wire ø 0,335 mm	on 25 mm support				
L ₁₃	=	1 mH	L-prot					
T ₁	=	Transformer	30 MHz					
T ₂	=	Transformer	30 MHz					
T ₃	=	AN414/SWR	2 x 1,32 μH	15 turn double wire	ø 0,5 mm	cm 60,5		
D ₁	=	1N 4148						
D ₂	=	1N 4148						
D ₃	=	1N 4148						
D ₄	=	1N 4148						
D ₅	=	BB 112						
D ₆	=	BB 112						
D ₇	=	1N 4148						
D ₈	=	1N 4148						
D ₉	=	1N 4148						
D ₁₀	=	OA 118						
D ₁₁	=	1N 4148						
D ₁₂	=	OA 118						
D ₁₃	=	OA 118						
Tr ₁	=	BF 245						

Wires Diagram



C3 2000-A-02