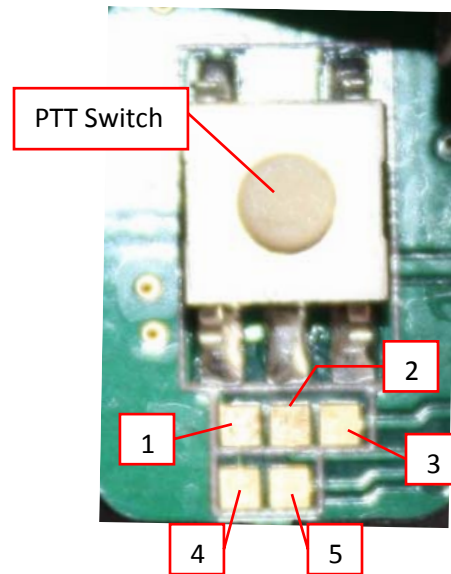


Magnum 1012 Frequency Modification – rev. A

Preparing 1012 for Modification

1. Turn unit off.
2. Open PTT rubber button (as shown below).
3. Locate the 5 solder pads below PTT switch on internal circuit board.
4. Clear ALL solder bridges off pads 1 - 5.

IMPORTANT: After removing all solder bridges use a digital volt meter to make sure the pads are cleared and there is no continuity between any of the pads! Next use a cotton swab dipped in alcohol to clean all pads thoroughly.



Frequency Modification

The Magnum 1012 has eleven different frequency and mode selections:

- | | |
|----------|--|
| Code 1: | 10 Meter Band (28.000 – 29.690MHz), AM/FM/SSB |
| Code 2: | 12 Meter Band (24.890 – 24.990MHz), AM/FM/SSB |
| Code 3: | 454 channels (25.165 – 29.655MHz), AM/FM/SSB |
| Code 4: | 454 channels PL (25.160-29.650MHz, '0' Raster), AM/FM/SSB |
| Code d: | German 80 channel CB (26.565 – 27.405MHz), AM(1 Watt)/FM/SSB |
| Code EU: | 40 channel CB (26.965 – 27.405MHz), AM(1 Watt)/FM/SSB |
| Code E: | 40 channel CB (26.965 – 27.405MHz), AM/FM/SSB |
| Code PL: | 40 channel CB (26.960 – 27.400MHz, '0' Raster), AM/FM/SSB |
| Code U1: | UK 40 channel CB (27.601 – 27.991MHz), AM/FM/SSB |
| Code U2: | UK 40 channel CB (26.965 – 27.405MHz), AM/FM/SSB |
| Code US: | USA 40 channel CB (26.965 – 27.405MHz), AM/SSB |

Modification Procedure for Codes d, EU, E, PL, U1, U2, and US Only:

1. Make sure that the initial steps 1 – 4, *Preparing 1012 for Modification*, are completed.
2. Turn OFF unit.
3. Press and hold ML/MS button.
4. Turn ON unit.
5. Release ML/MS button.
6. Radio display will show codes (d – US).
7. Press UP and DOWN buttons to select desired code.
8. Turn OFF unit to set selected code.
9. Turn ON unit again to operate on set code.

Modification Procedure for All Codes:

1. Make sure that the initial steps 1 – 4, *Preparing 1012 for Modification*, are completed.
2. Turn OFF unit.
3. Open PTT rubber button to expose the 5 solder pads below PTT switch.
4. Use tweezers or other conductive metal object to temporarily short pads 1 and 2 together (see photo above for pad 1 and 2 location).
5. While shorting pads together, turn ON unit.
6. Radio display will show all codes. *Note: If the radio display does not show the code, then the pads were not properly shorted together when the radio was turned on and steps 4 and 5 need to be repeated.*
7. Press UP and DOWN buttons to select desired code.
8. Turn OFF unit to set selected code.
9. Turn ON unit again to operate on set code.

Optional Steps to Permanently Set a Specific Code

10. Turn OFF unit.
11. Permanently short pads 2 and 3 together with solder or a small piece of wire.
12. Turn On unit.

Radio Operation in Expanded Modes:

1. The Magnum 1012 will display either the frequency or the channel and band when in expanded mode. Toggle between the frequency display and the channel/band display, press the FUNC button and then press the STEP/CH FQ button.
2. To change bands in expanded mode, press the CALL / LOCK button.