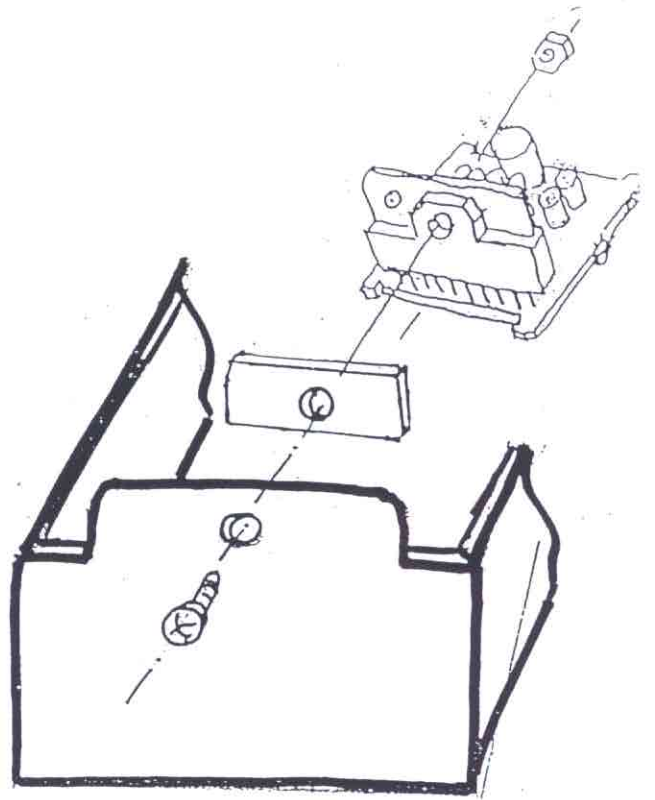


. JFK. (old model)

06/01

# MB3712 transistor replacement with new Low Frequency Amplifier Pcb. Ass'y

1. Remove 2x MB3712
2. Drill the heatsink and screw the Pcb. Ass'y t/w the wedge.
3. Connect the Pcb. Ass'y and apply modifications as following:

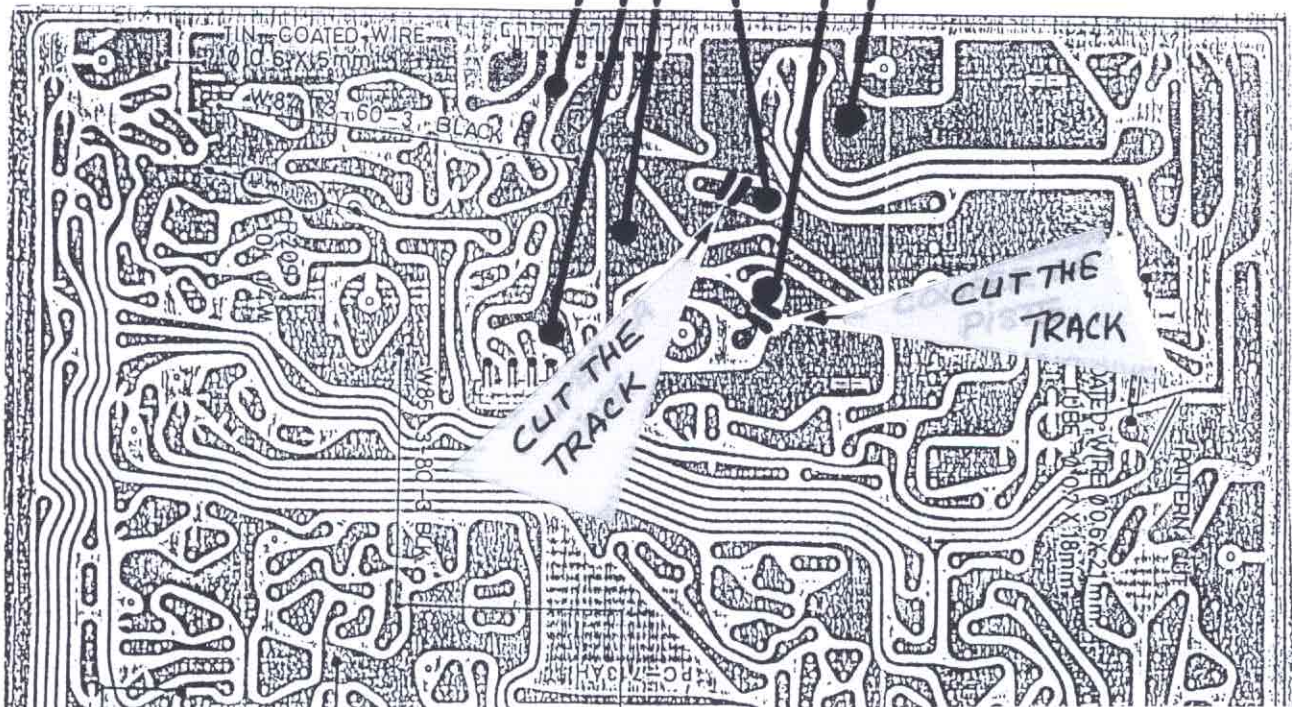


Downloaded from  
[www.cbradio.nl](http://www.cbradio.nl)



WHITE  
 BLACK  
 RED  
 VIOLET  
 GREY  
 BROWN

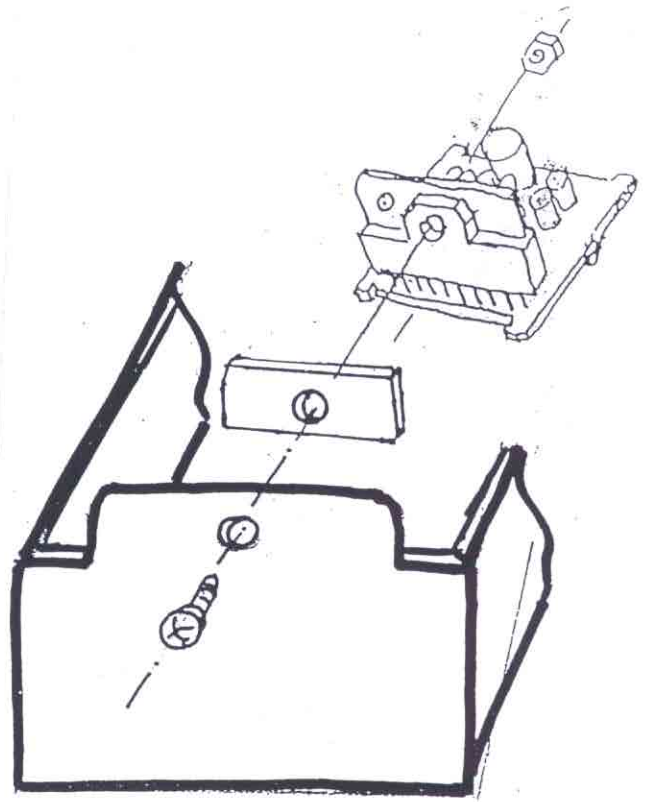
1 2 3 4 5 6





# MB3712 transistor replacement with new low frequency Amplifier Reb. Ass'y

1. Remove 2 x MB3712
2. Drill the heatsink and screw the Reb. Ass'y t/w the wedge.
3. Connect the Reb. Ass'y and apply modifications as following:



- 1 - WHITE
- 2 - BLACK
- 3 - RED
- 4 - GREY
- 5 - VIOLET
- 6 - BROWN

