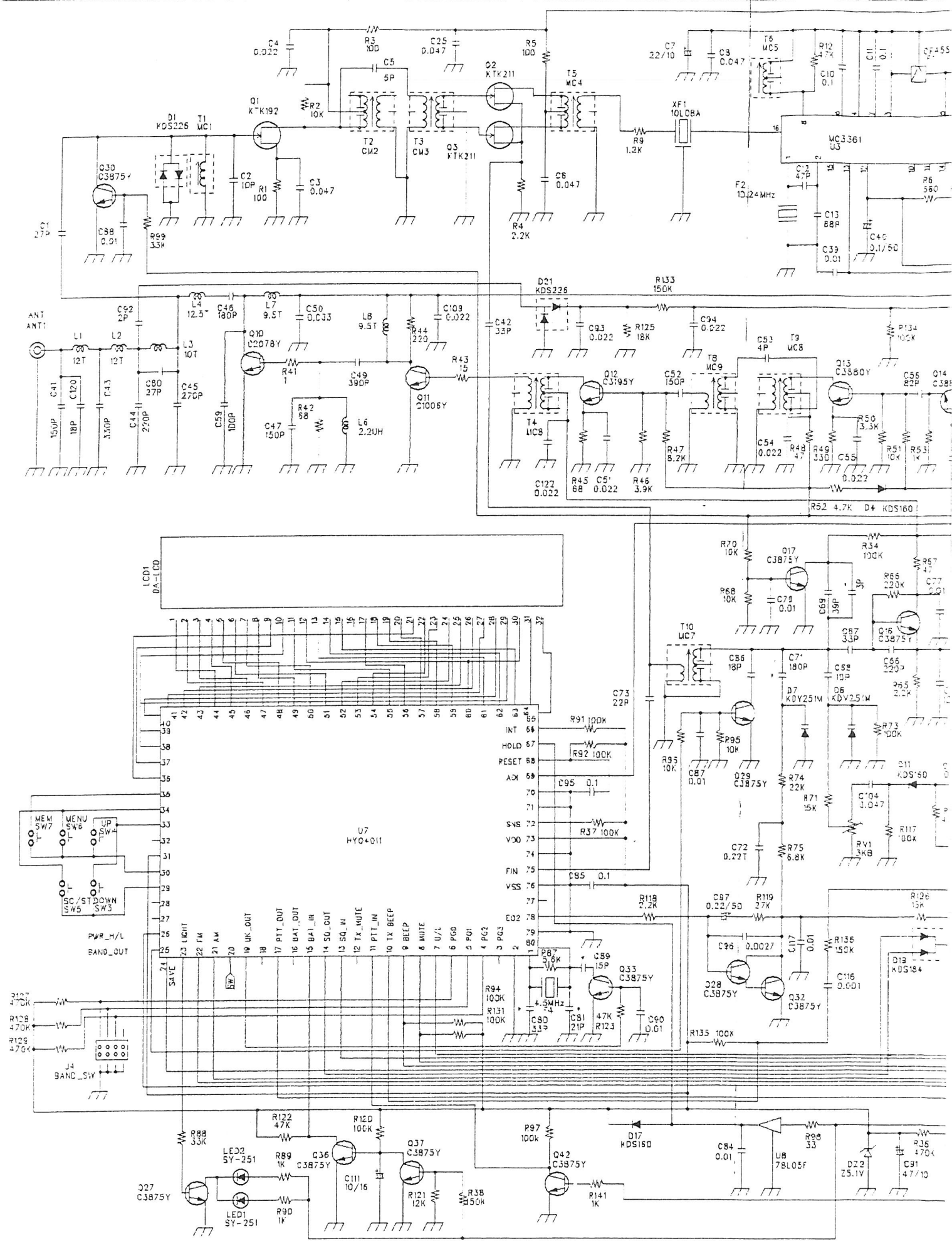
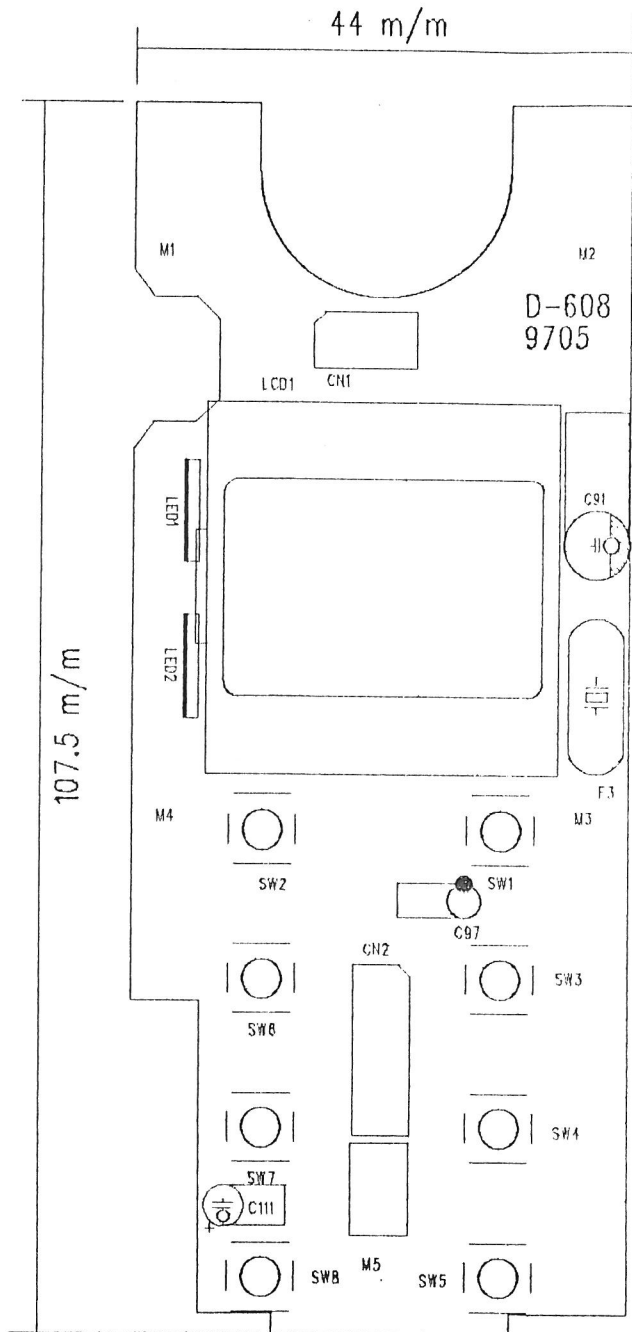
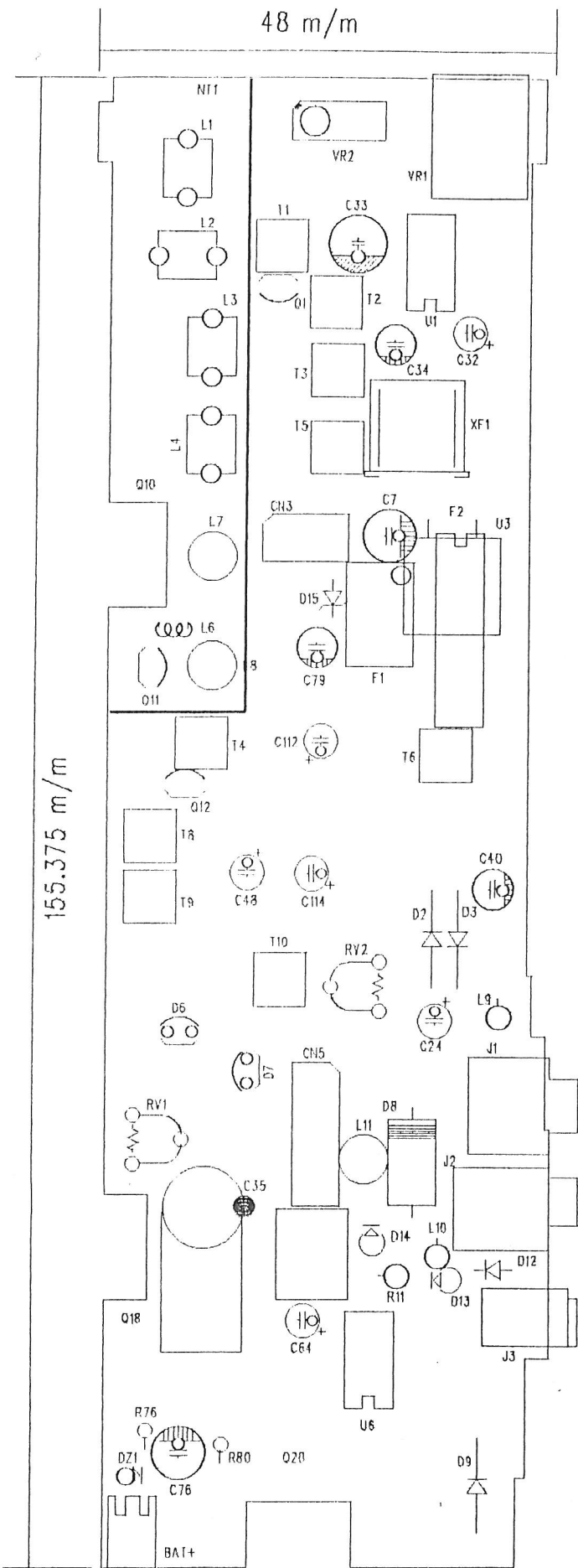


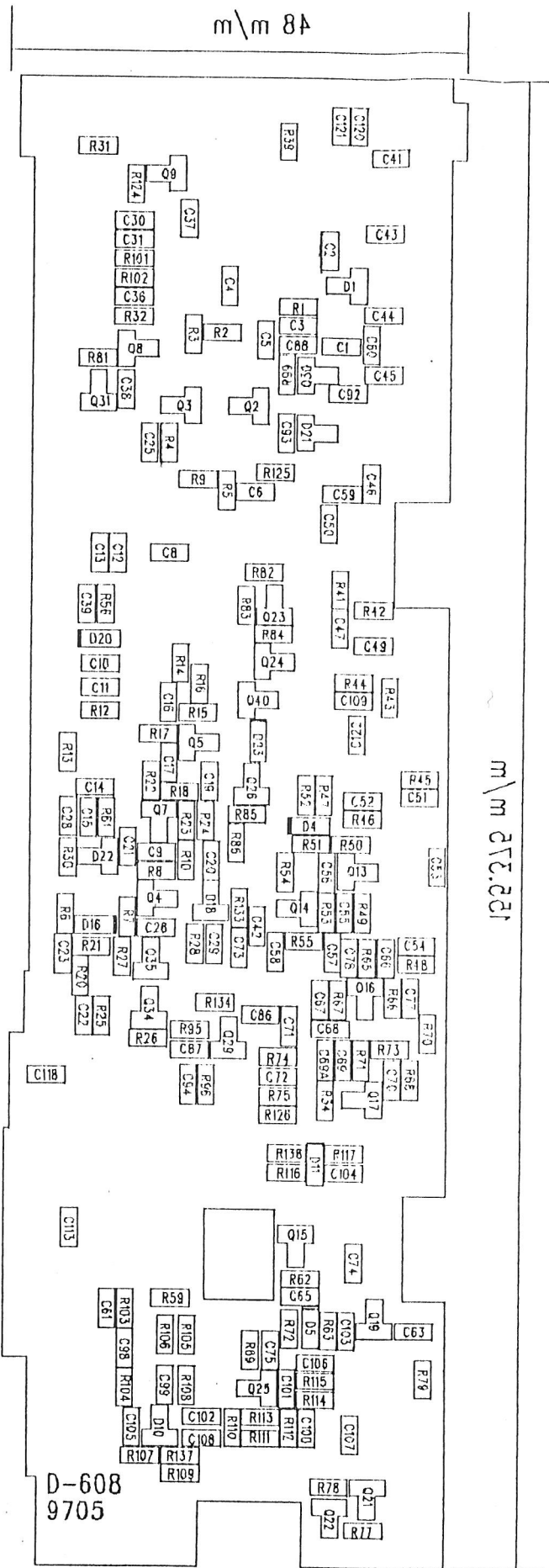
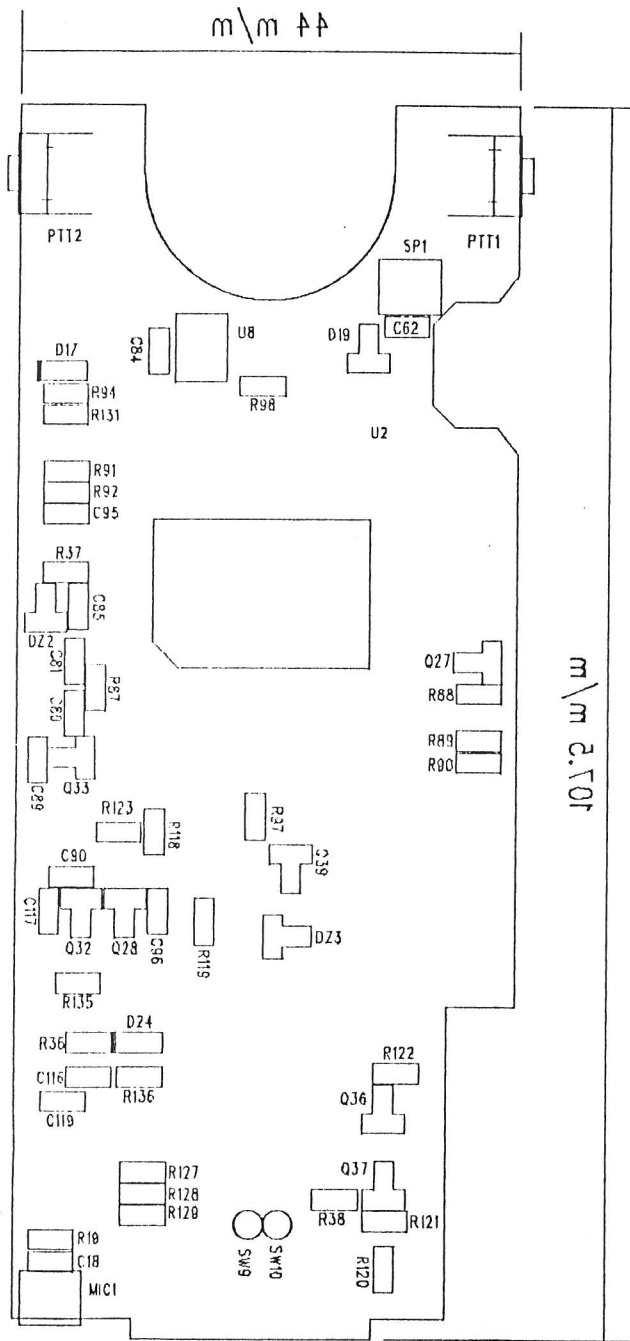
Remark : * Factory selected values

| | | |
|---------------|------|------------|
| DANITA | | |
| D-608 | | |
| SIZE | DATE | 1997.7.19 |
| A2 | | 1997.12.18 |
| | | 1998.2.25. |





danita 608

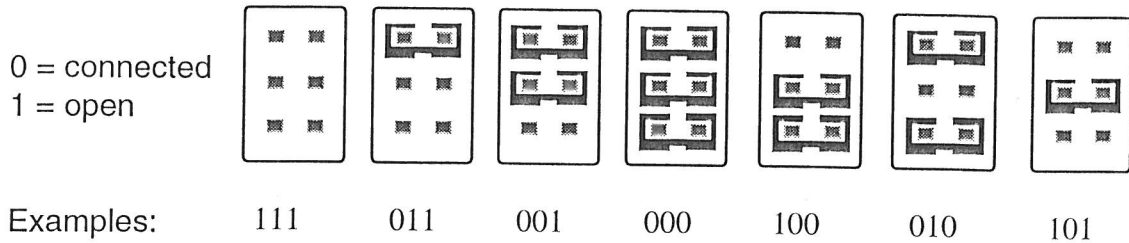


D-608
9705

danita 608

System change:

Under the battery cover is a black tape. Remove it. Now you see a space for 3 JUMPS. By changing/adding/removing JUMPS the danita 608 will convert to the following systems according to the jump codes specified below:



Jump code: System:

| | |
|-----|----------------------------------|
| 111 | 40-CH CEPT, 40-CH UK MPT1382 |
| 011 | 40-CH UK MPT1382 |
| 101 | 240-CH FM/AM |
| 110 | 40-CH CEPT, 40-CH AM CEPT |
| 001 | 80-CH FM GERMAN, 12-CH AM GERMAN |
| 100 | 80-CH GERMAN |
| 010 | SWEDISH |
| 000 | 40-CH FM CEPT |

Systems:

| | |
|---------------------|--|
| 40-CH CEPT = | 26,965 - 27,402 MHz |
| 80-CH GERMAN = | 1-40 = CEPT, 41-80 = 26,565 - 26,955 MHz |
| 240-CH IN 6 BANDS = | A 25,615 - 26,055 MHz B 26,065 - 26,505 MHz C 26,515 - 26,955 MHz D 26,965 - 27,405 MHz E 27,415 - 27,855 MHz F 27,865 - 28,305 MHz |
| 40-CH UK MPT1382 = | 27,601.25 - 27,991.25 MHz |

danita 608 Fault idea

| Fault describe | What to do. Where ? |
|----------------------------------|--|
| No display / no function. | R87 5,6 Kohm change to 10 Kohm. Between pin 1 and 80 on CPU. If start up when R87 is been touch. |
| TX bars to few. | Remove R125. Nearby the TX power transistor. |
| No TX, but OK with accessories. | Short-circuit the mice connector. |
| No TX. | Q21 NPN and Q22 PNP shall be replaced. If no DC change on Q20 collector. (Centre pin) |
| Squelch tail. | Control of C114 (C27). Shall be 4,7 uF (Not 22uF) Placed in centre of main board. |
| Batteries getting hot before ON. | + battery spring pin, shall be shorten. The spring pin go to main board 2 pin connector. If this pin is to long it goes through the 2 pin con. and hit the chassis frame. (Ground) The batteries are then short-circuit. Cut so the free length are 9 mm. |
| Speaker low or no sound. | Change speaker. If speaker burned, tell user not to put DC in speaker jack. |
| Windows is loose. | Use plastic glue. Remove window and fill glue in window frame. |