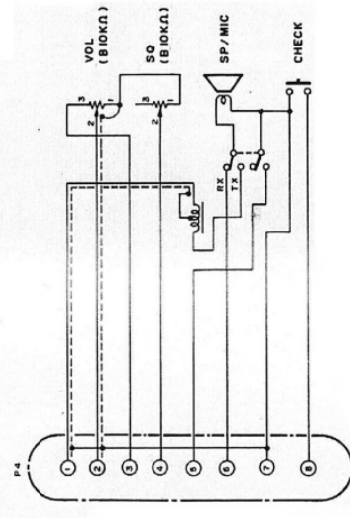
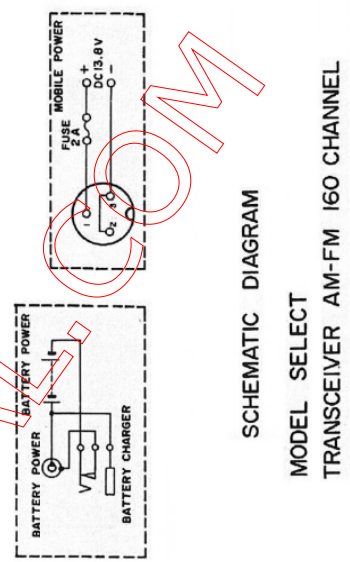
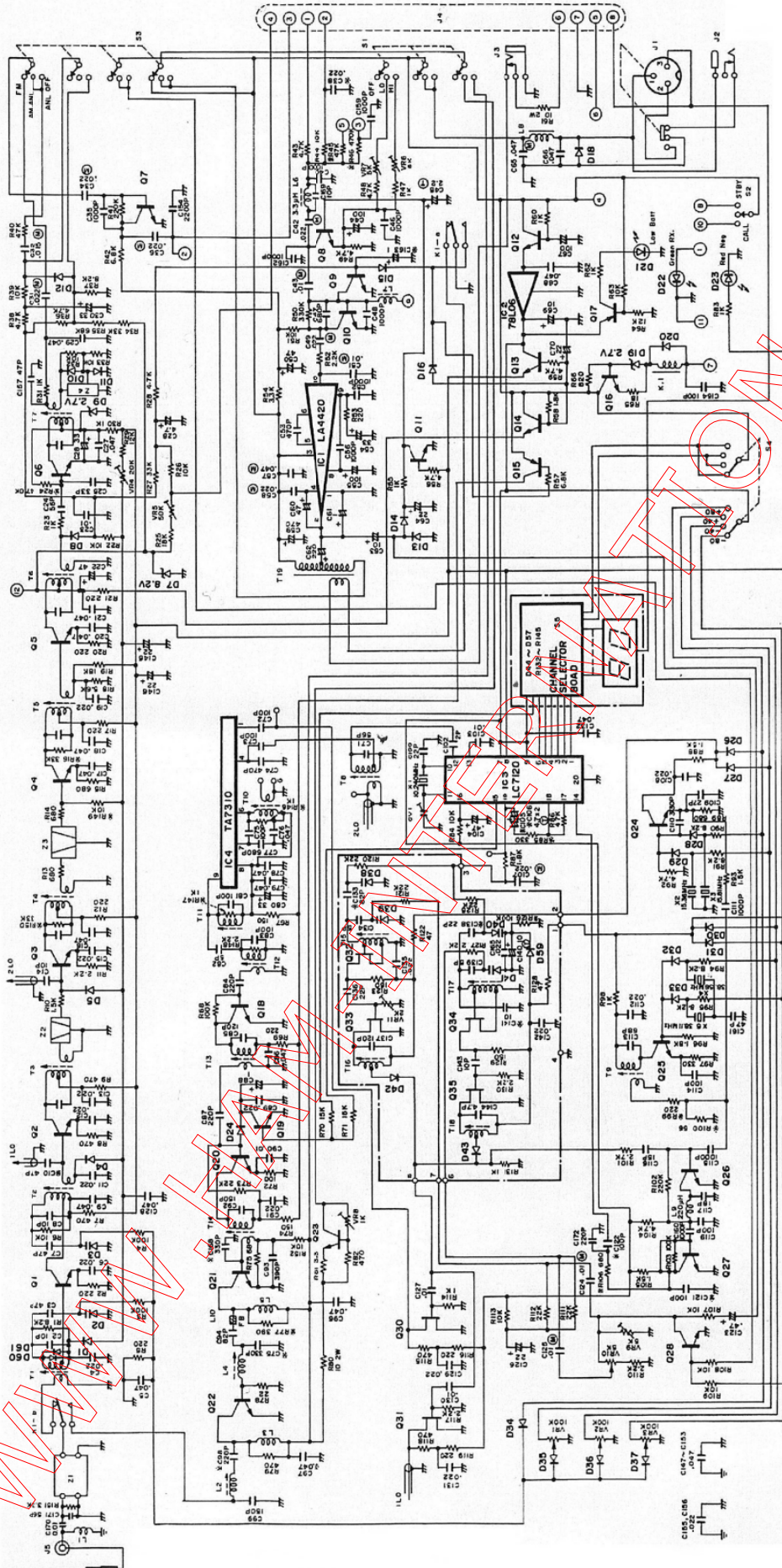


SELECT

SCHEMATIC DIAGRAM



- Q1~6, 24~27 2SC930E
 - Q7~11, 19, 28 2SC536(E) (HF)
 - Q12, 16 2SD400(E)
 - Q13, 14, 18, 20 2SC2274
 - Q15 2SB954
 - Q17 2SA608
 - Q21 2SC2314
 - Q22 2SC2078
 - Q23 2SD325
 - Q30, 31, 33, 35 2SK191
 - Q32, 34, 25K198R
 - D2, 3, 39, 40, 41 1S1658
 - D6, 10~12 1S188A
 - D7 UZ6.2 (6ZA.8.2)
 - D9, 19 UZ2.7 (6ZA.2.7)
 - D18 OS135E
 - D26, 29, 32 35~42, 45 MC301
 - D21, 22, 23 LED
 - D Others 1S1588
 - D58 LED Display
 - D38 1S2688
- § : Adjustable in Factory.
- Unit is μ F and ohm
 No. 1~12 To Selective coil
 and Roger Beep Unit.
 J1, 2 To DC Power Source
 J3 EXT. SP
 J4 To Microphone

SCHEMATIC DIAGRAM
 MODEL SELECT
 TRANSCEIVER AM-FM 160 CHANNEL