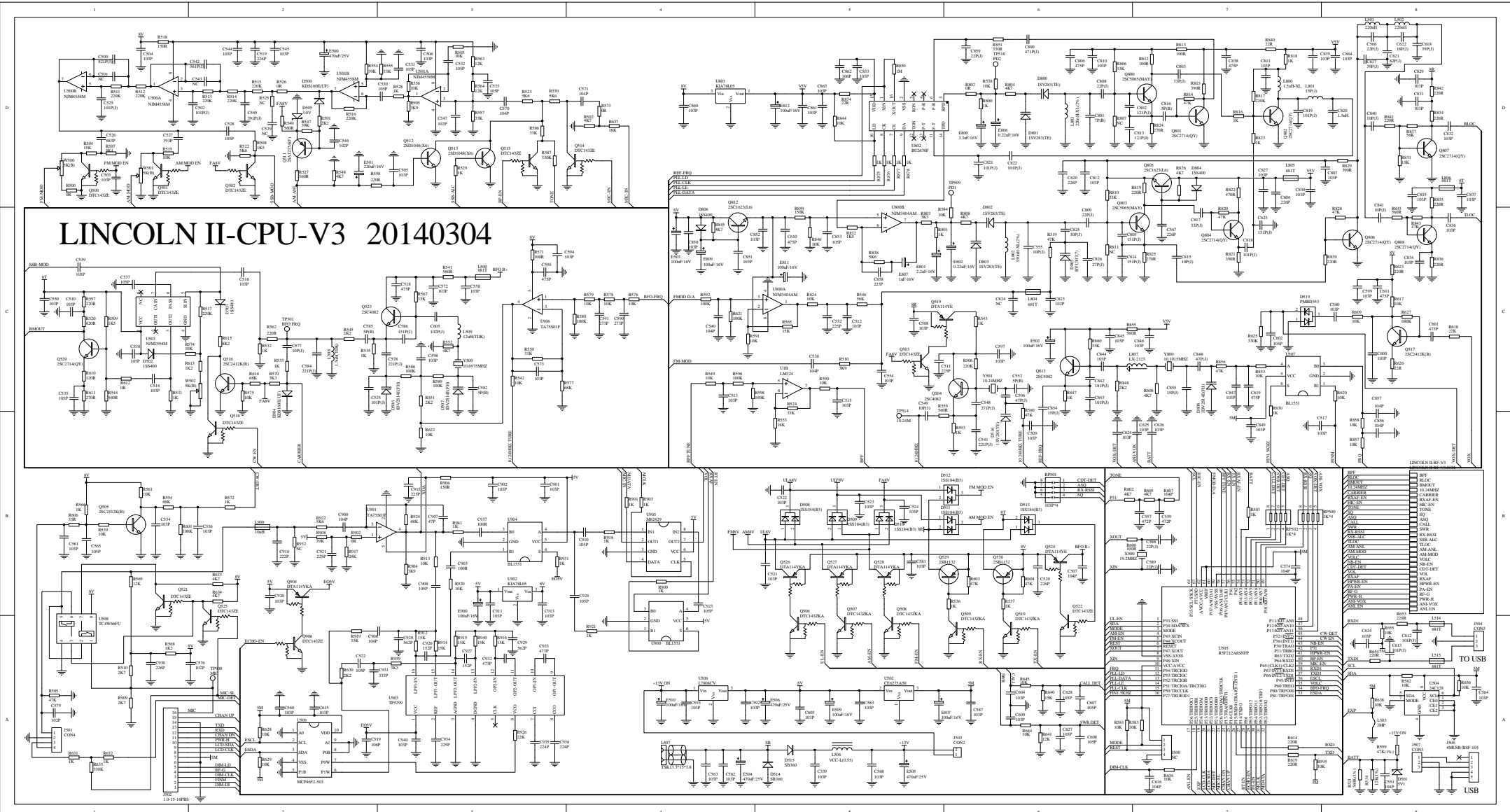
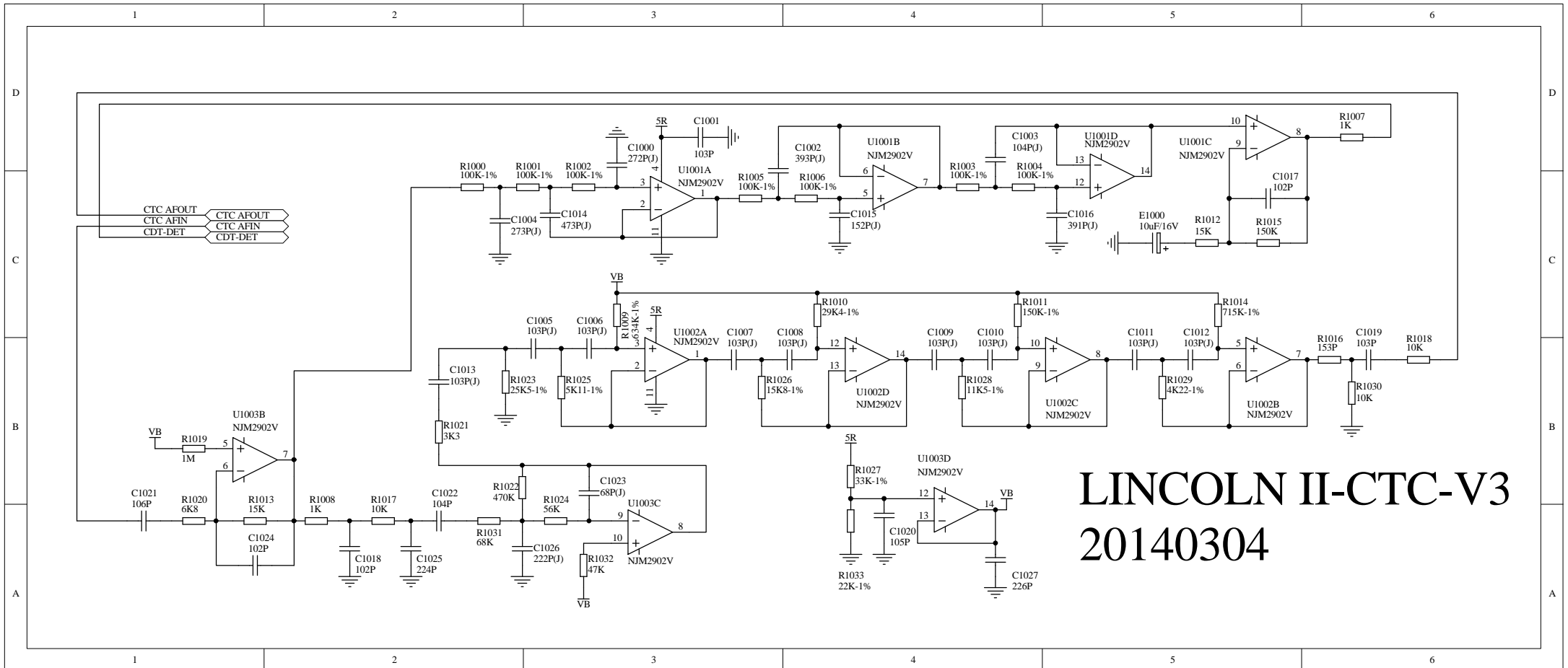


# LINCOLN II-RF-V3 20140304

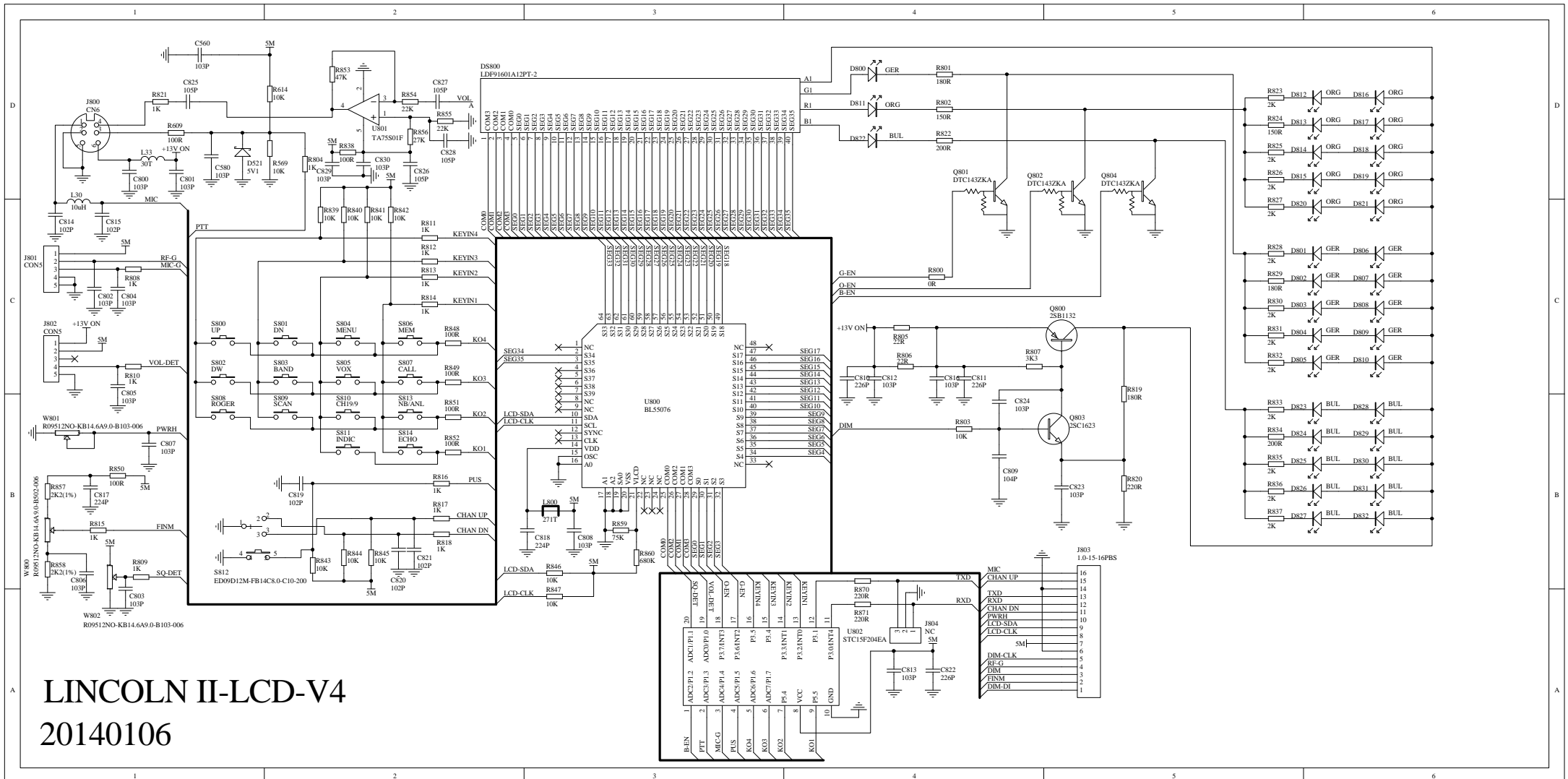
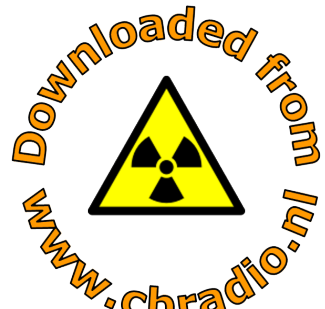
Pin	Symbol	Value
1	100V	100V
2	250V	250V
3	500V	500V
4	1000V	1000V
5	100V	100V
6	250V	250V
7	500V	500V
8	1000V	1000V
9	100V	100V
10	250V	250V
11	500V	500V
12	1000V	1000V
13	100V	100V
14	250V	250V
15	500V	500V
16	1000V	1000V
17	100V	100V
18	250V	250V
19	500V	500V
20	1000V	1000V
21	100V	100V
22	250V	250V
23	500V	500V
24	1000V	1000V
25	100V	100V
26	250V	250V
27	500V	500V
28	1000V	1000V
29	100V	100V
30	250V	250V
31	500V	500V
32	1000V	1000V
33	100V	100V
34	250V	250V
35	500V	500V
36	1000V	1000V
37	100V	100V
38	250V	250V
39	500V	500V
40	1000V	1000V
41	100V	100V
42	250V	250V
43	500V	500V
44	1000V	1000V
45	100V	100V
46	250V	250V
47	500V	500V
48	1000V	1000V
49	100V	100V
50	250V	250V
51	500V	500V
52	1000V	1000V
53	100V	100V
54	250V	250V
55	500V	500V
56	1000V	1000V
57	100V	100V
58	250V	250V
59	500V	500V
60	1000V	1000V
61	100V	100V
62	250V	250V
63	500V	500V
64	1000V	1000V
65	100V	100V
66	250V	250V
67	500V	500V
68	1000V	1000V
69	100V	100V
70	250V	250V
71	500V	500V
72	1000V	1000V
73	100V	100V
74	250V	250V
75	500V	500V
76	1000V	1000V
77	100V	100V
78	250V	250V
79	500V	500V
80	1000V	1000V
81	100V	100V
82	250V	250V
83	500V	500V
84	1000V	1000V
85	100V	100V
86	250V	250V
87	500V	500V
88	1000V	1000V
89	100V	100V
90	250V	250V
91	500V	500V
92	1000V	1000V
93	100V	100V
94	250V	250V
95	500V	500V
96	1000V	1000V
97	100V	100V
98	250V	250V
99	500V	500V
100	1000V	1000V



Downloaded from  
[www.cbradio.nl](http://www.cbradio.nl)

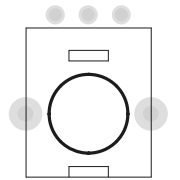


LINCOLN II-CTC-V3  
20140304





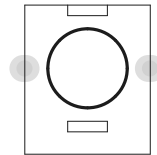
# LINCOLN II-LCD-V4



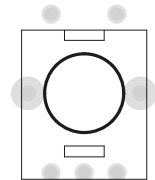
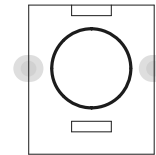
W800

R09512N0-KB14.6A9.0-B502-006

W801  
R09512N0-KB14.6A9.0-B103-006



W802  
R09512N0-KB14.6A9.0-B103-006

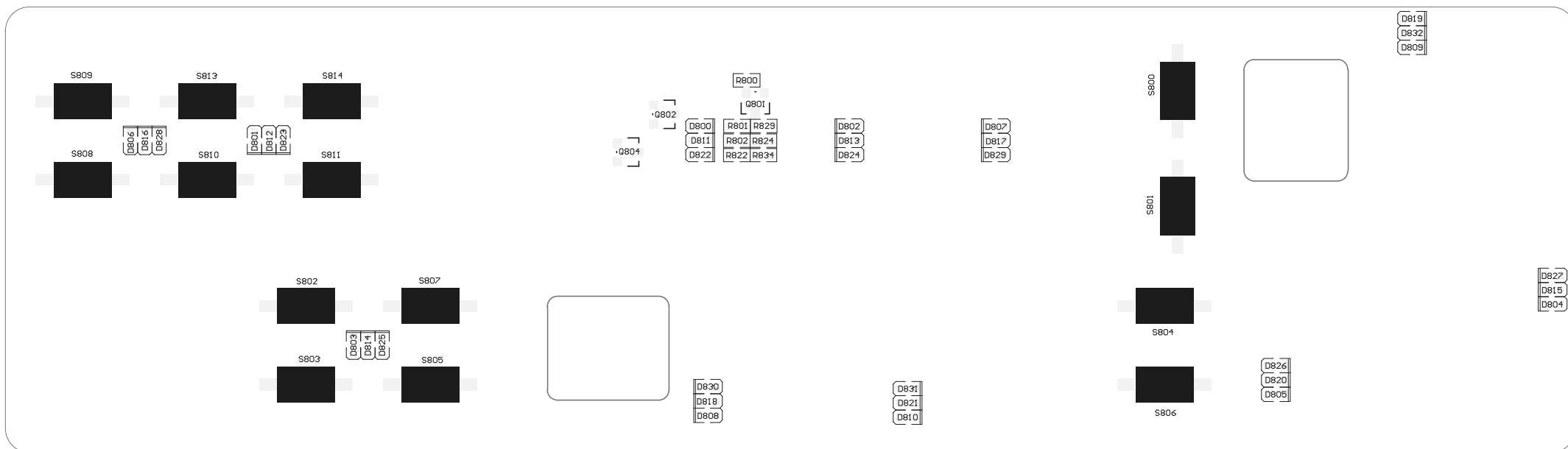


S812

ED09D12M-FB14CB.0-C10-200

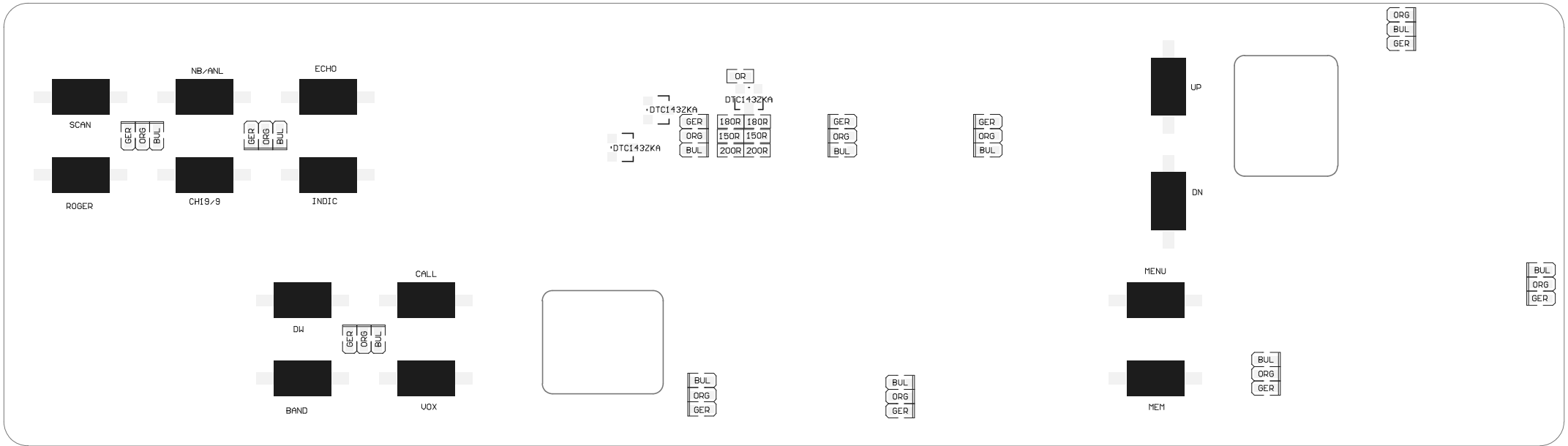


# LINCOLN II-LCD-V4





# LINCOLN II-LCD-V4

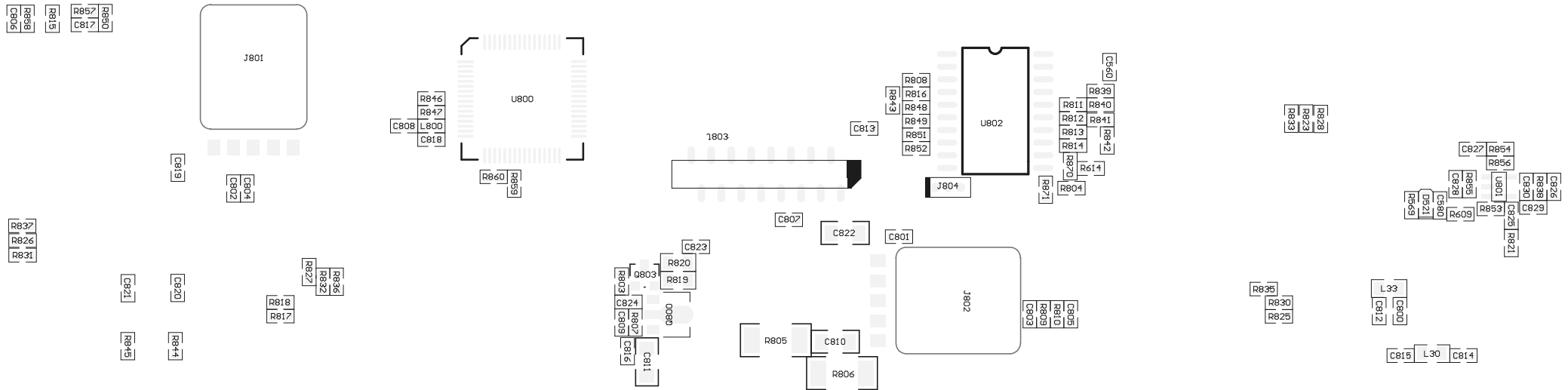






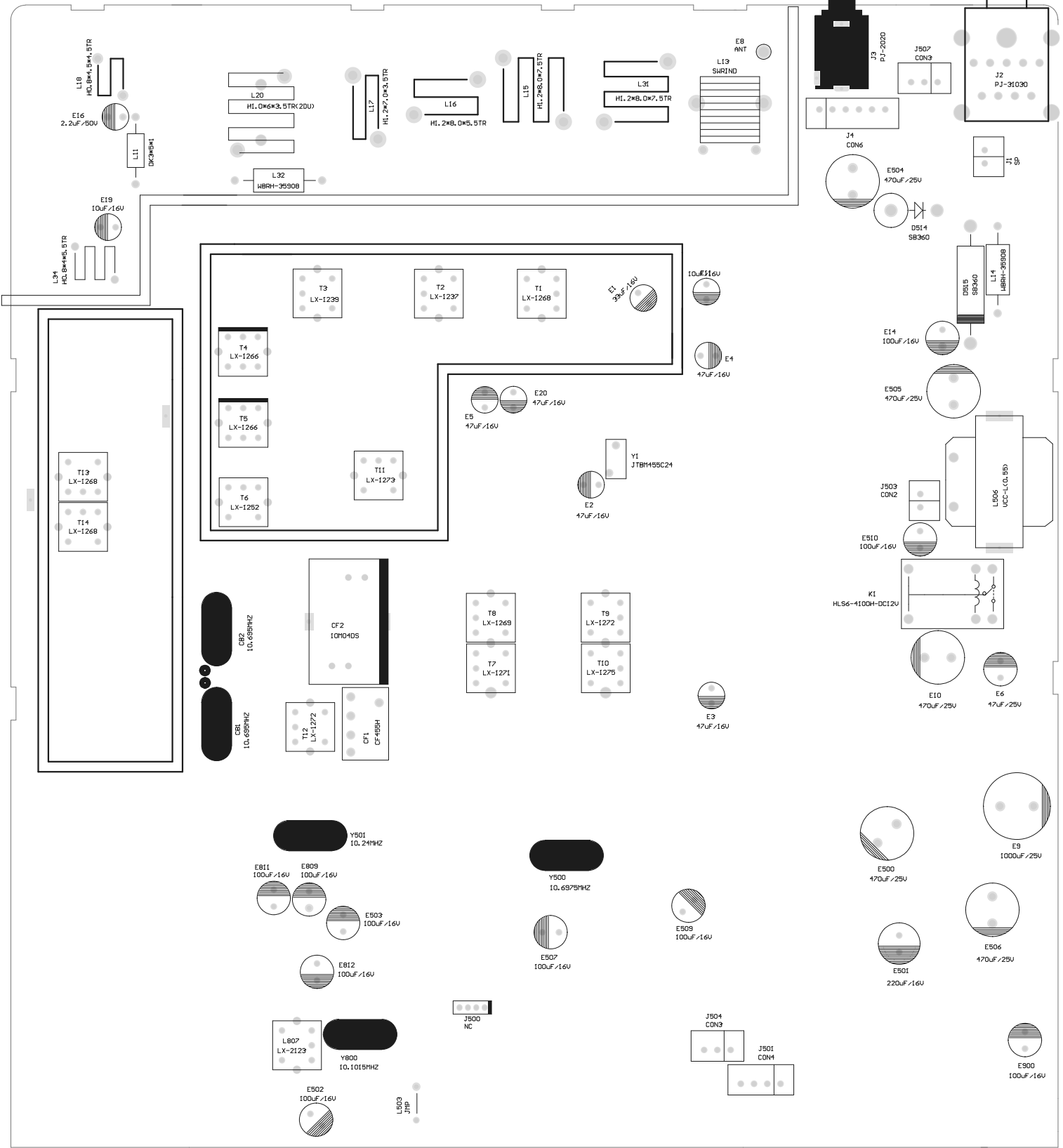


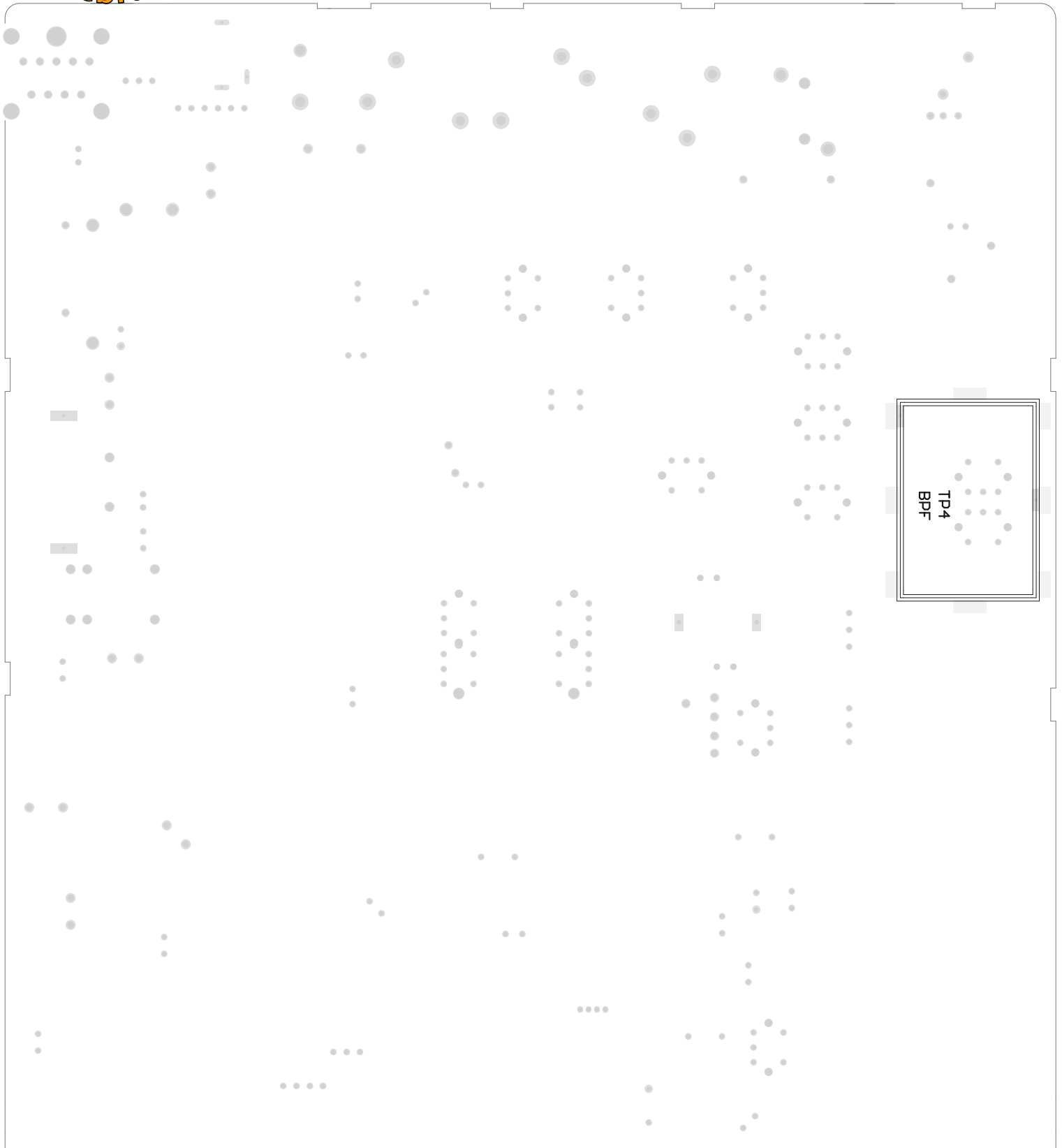
# LINCOLN II-LCD-V4





# LINCOLNII-RF-V3







# LINCOLN I-RF-V3

