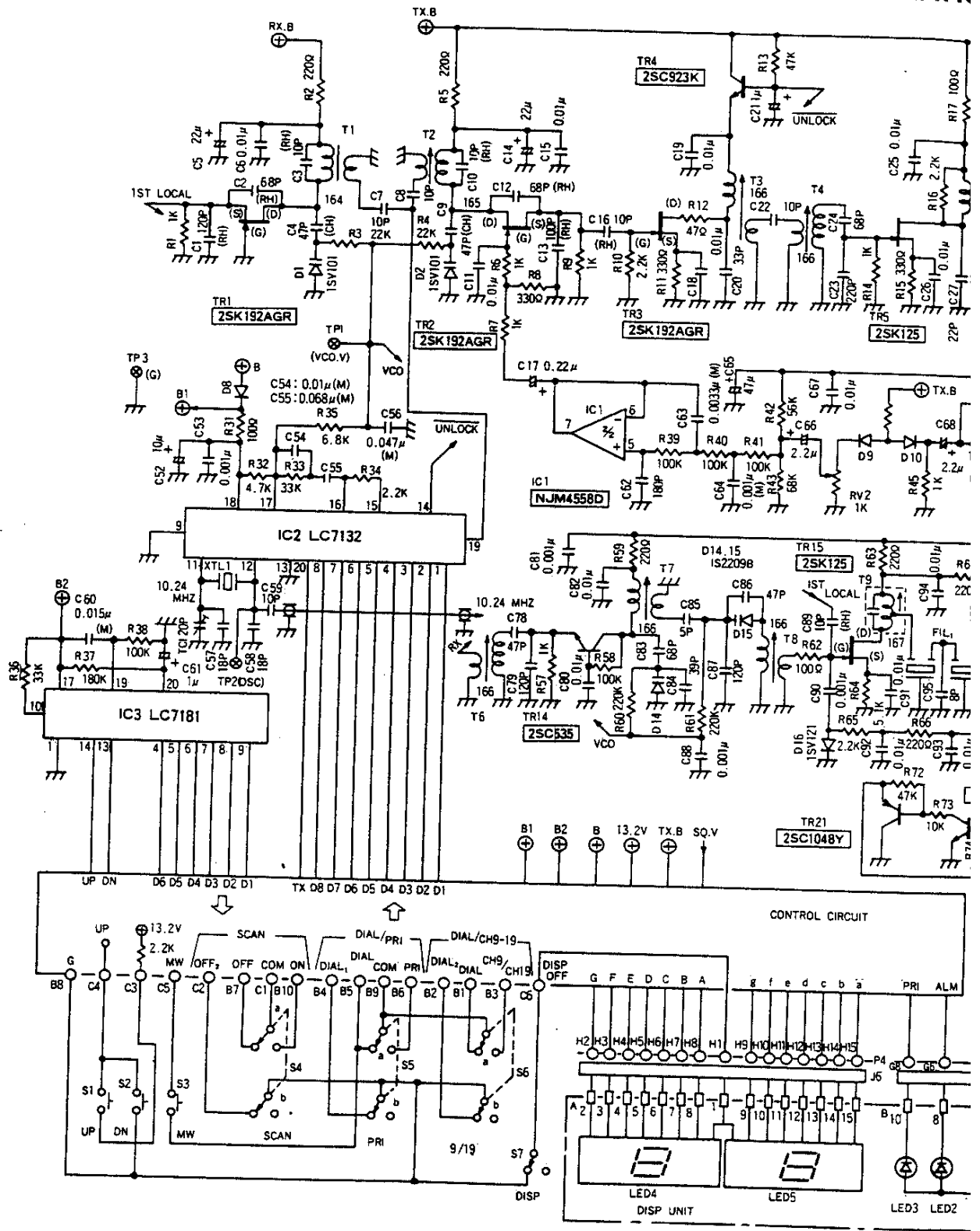
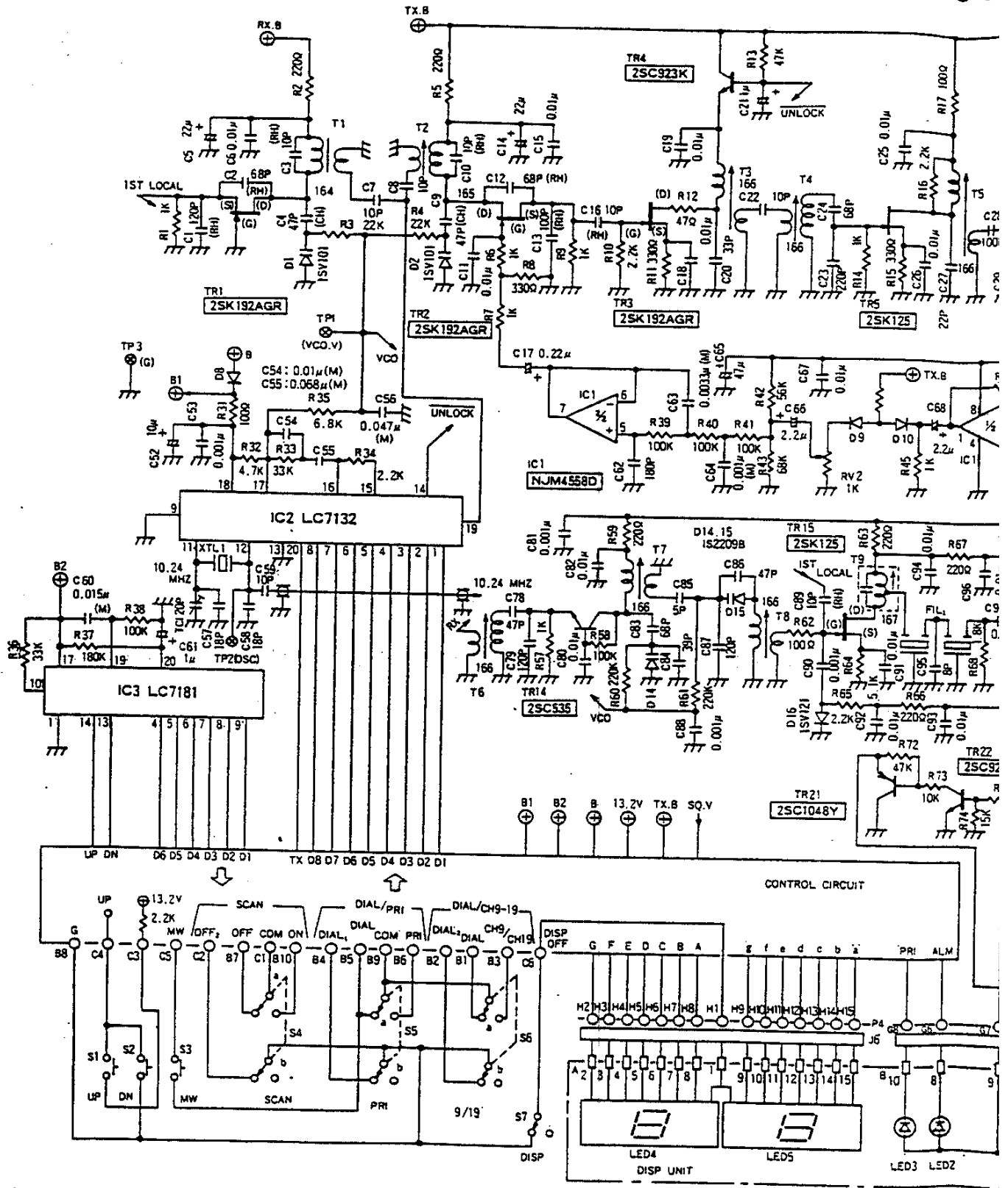


SCHEMATIC

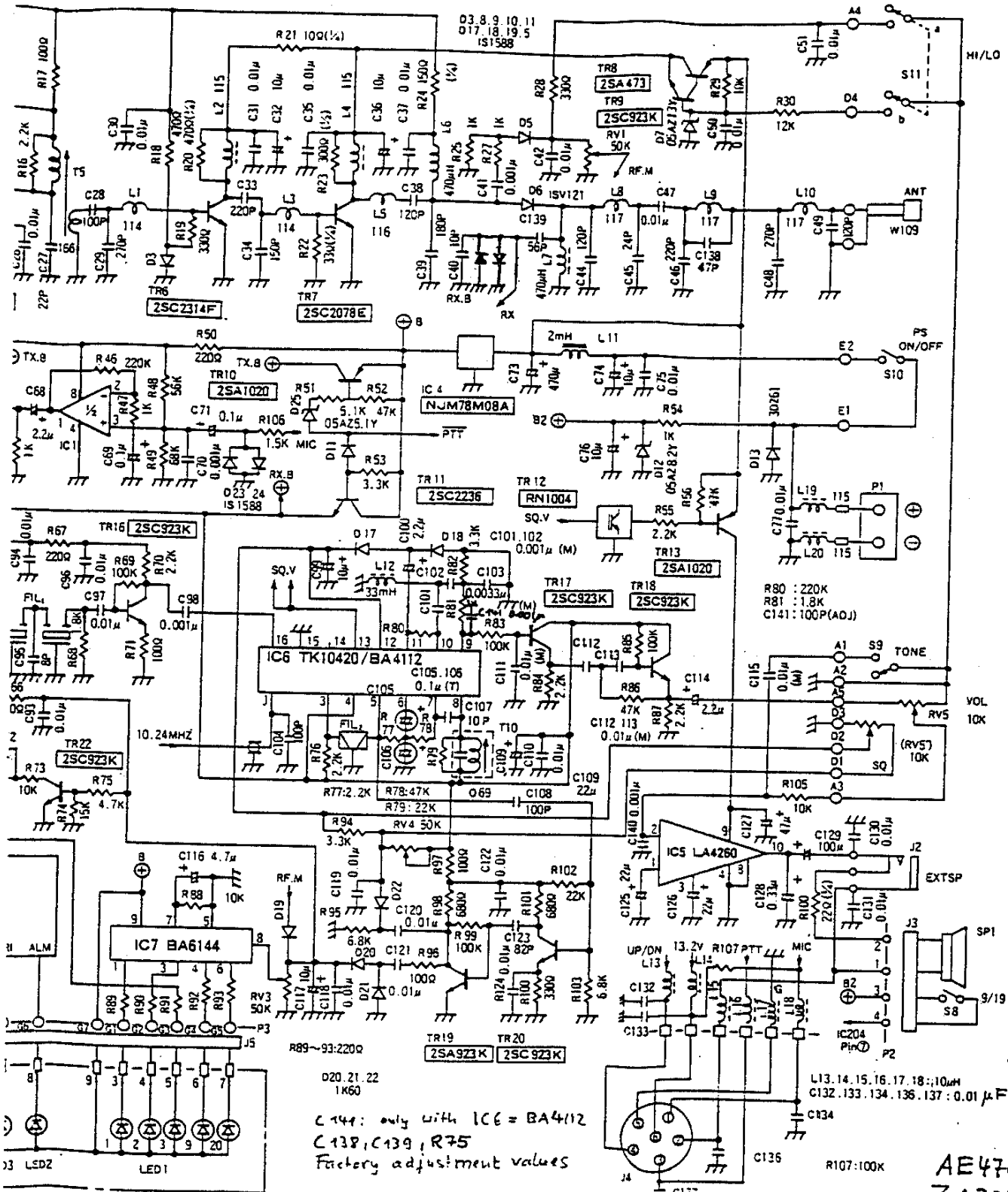


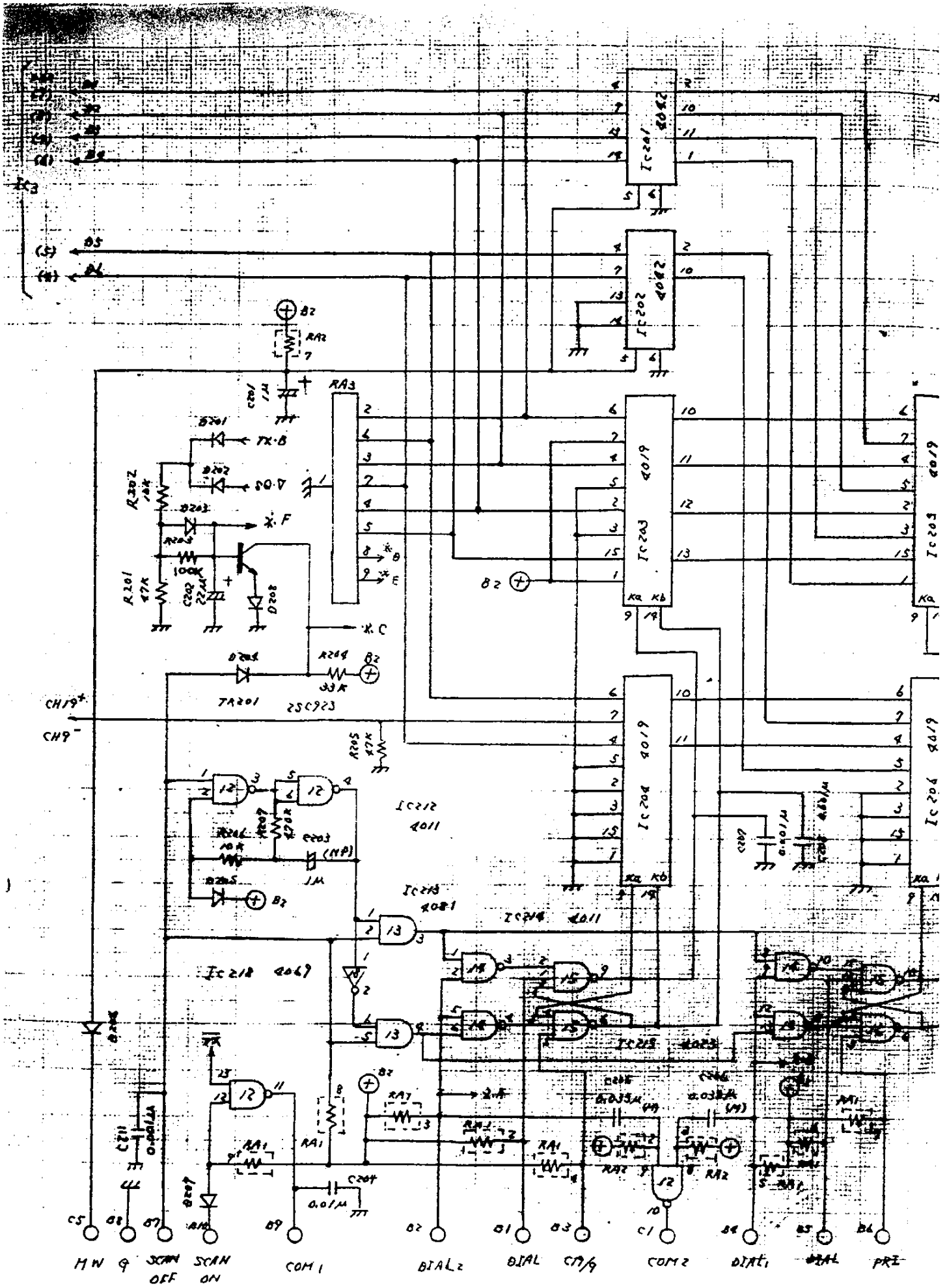
SCHEMATIC D



4700-C1

ATIC DIAGRAM

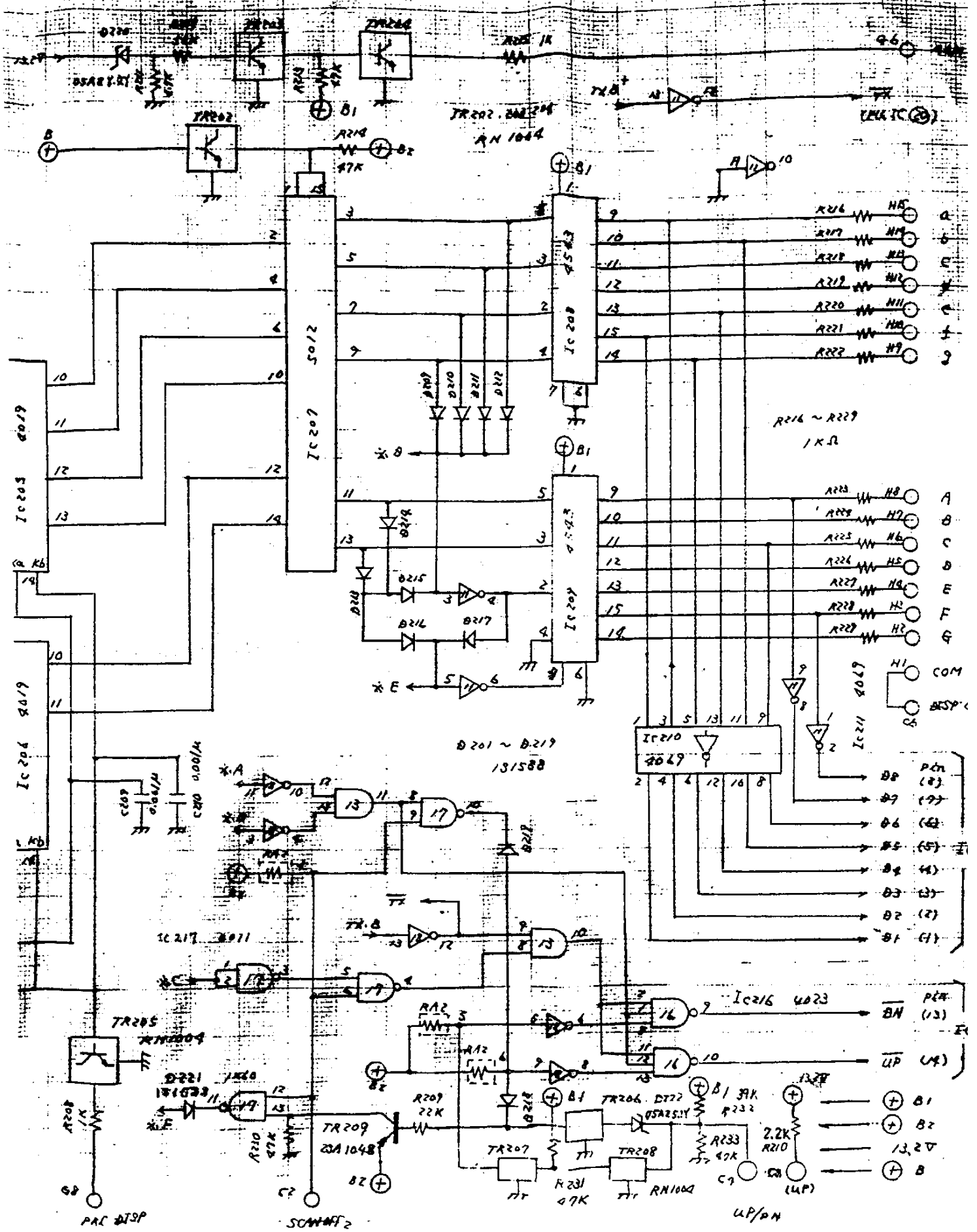


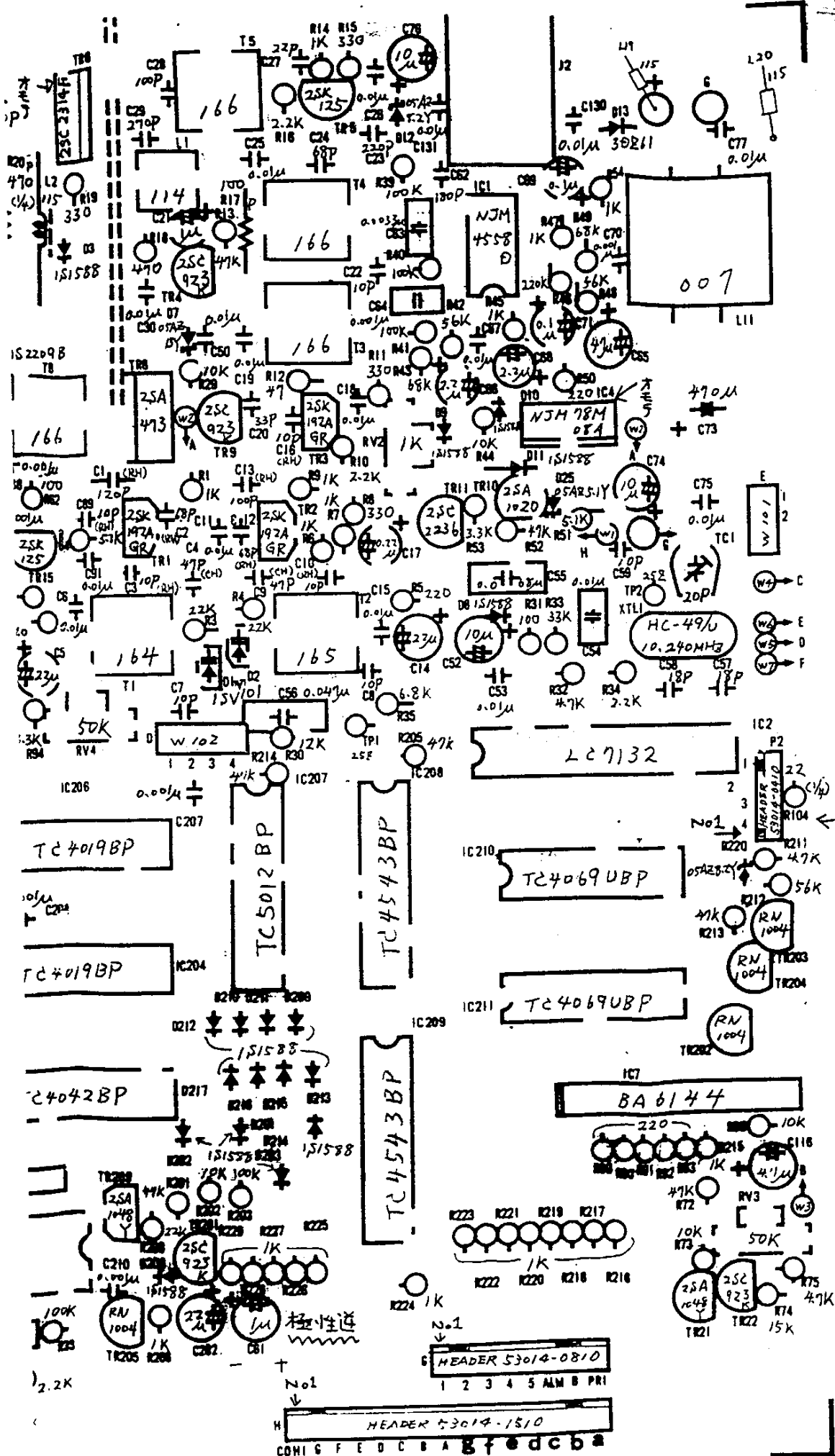


CH19+
CH9-

CS 08 07 06 05 04 03 02 01 00 09 10 11 12 13 14 15 16 17 18 19 20

HW 9 SCAN OFF SCAN ON COM 1 BIAL 2 BIAL CP/6 COM 2 DIAL 1 DIAL PRI





21-7印刷
3279PIN No

500225C
TRX #11
AE-4700