



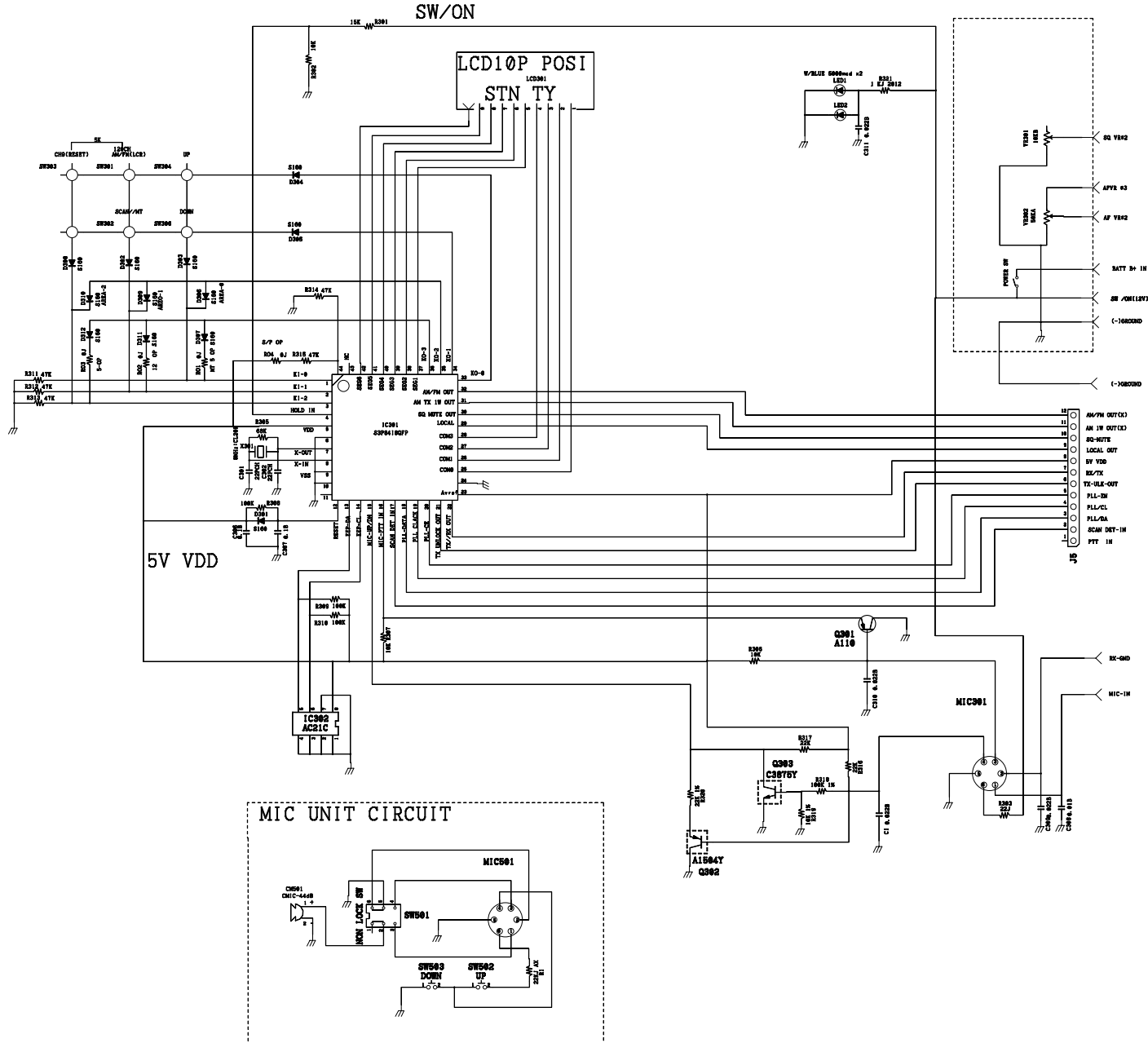
**CB RADIO  
AE 6190 HD -X**

**SERVICE MANUAL**

# NEW AE6190HD FRONT CIRCUIT

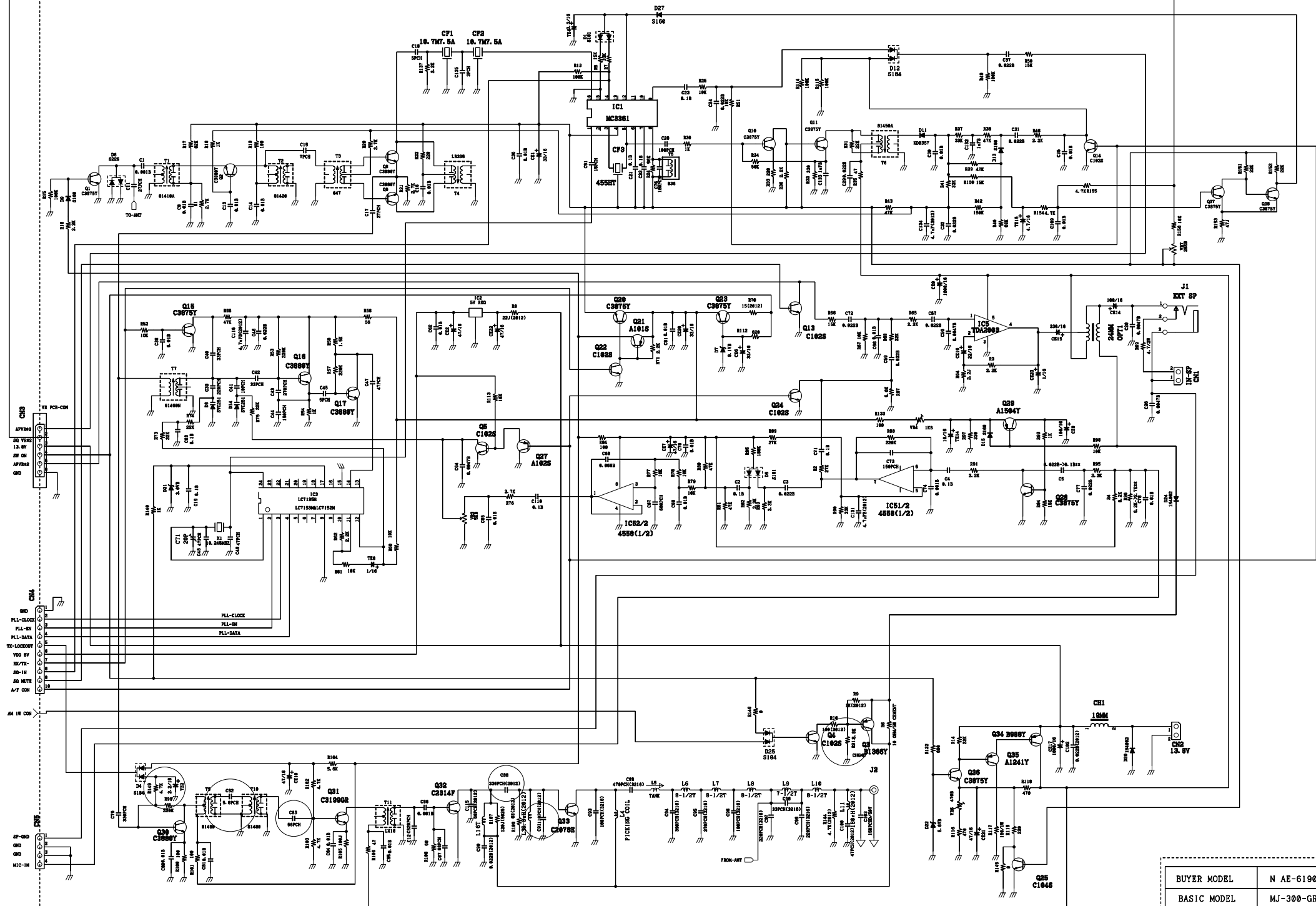
CPU 8418 44PIN

VR PCB 9PIE



BUYER MODEL	NEW AE6190HD FRONT 8418
BASIC MODEL	8418 CPU
RVY: 89-03-25	

N AE6190HD MAIN UNIT



BUYER MODEL	N AE-6190HD MAIN
BASIC MODEL	MJ-300-GR MAIN
DATE. 09. 08. 25	V1. 3