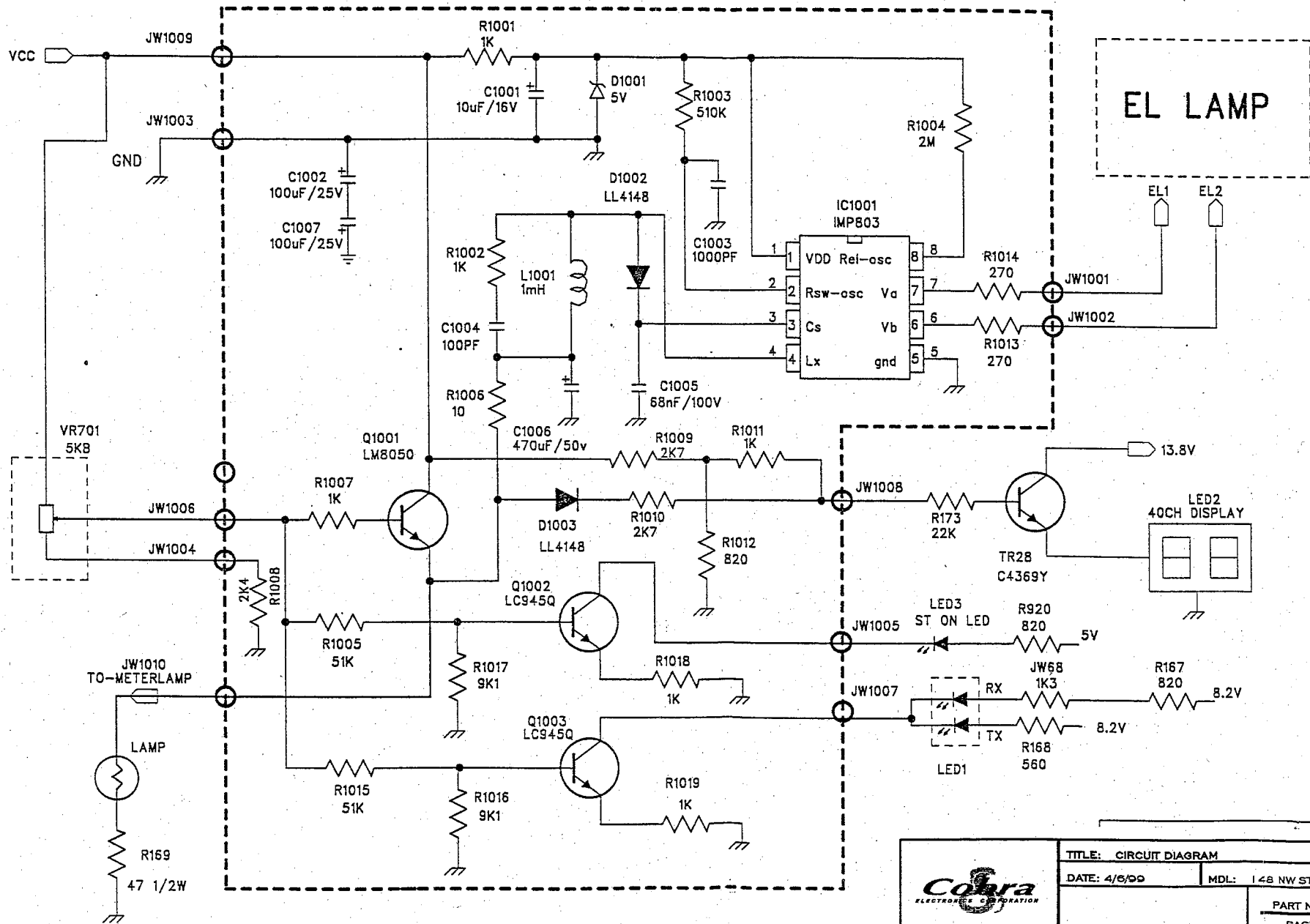

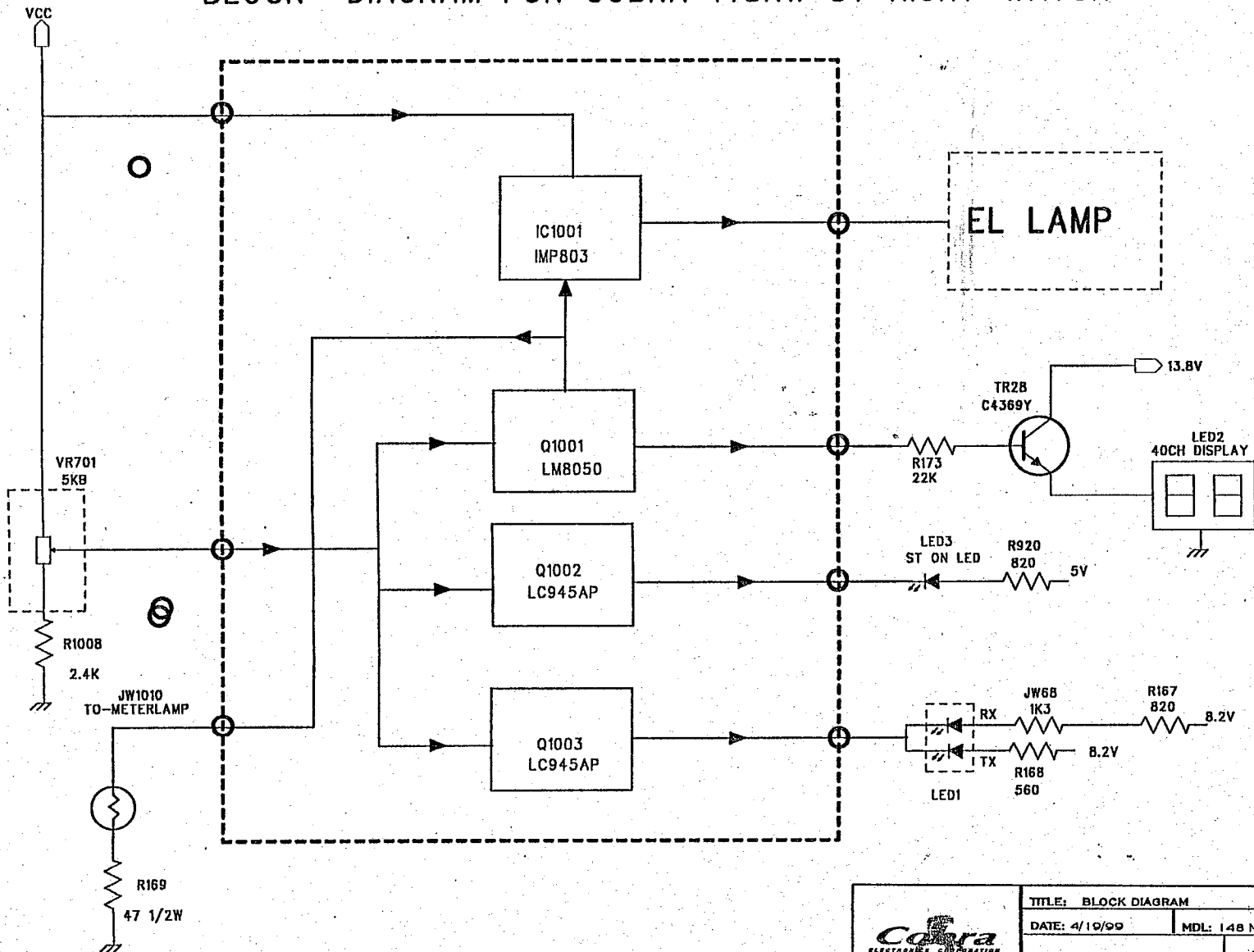



# CIRCUIT DIAGRAM FOR COBRA 148GTL-ST NIGHT-WATCH

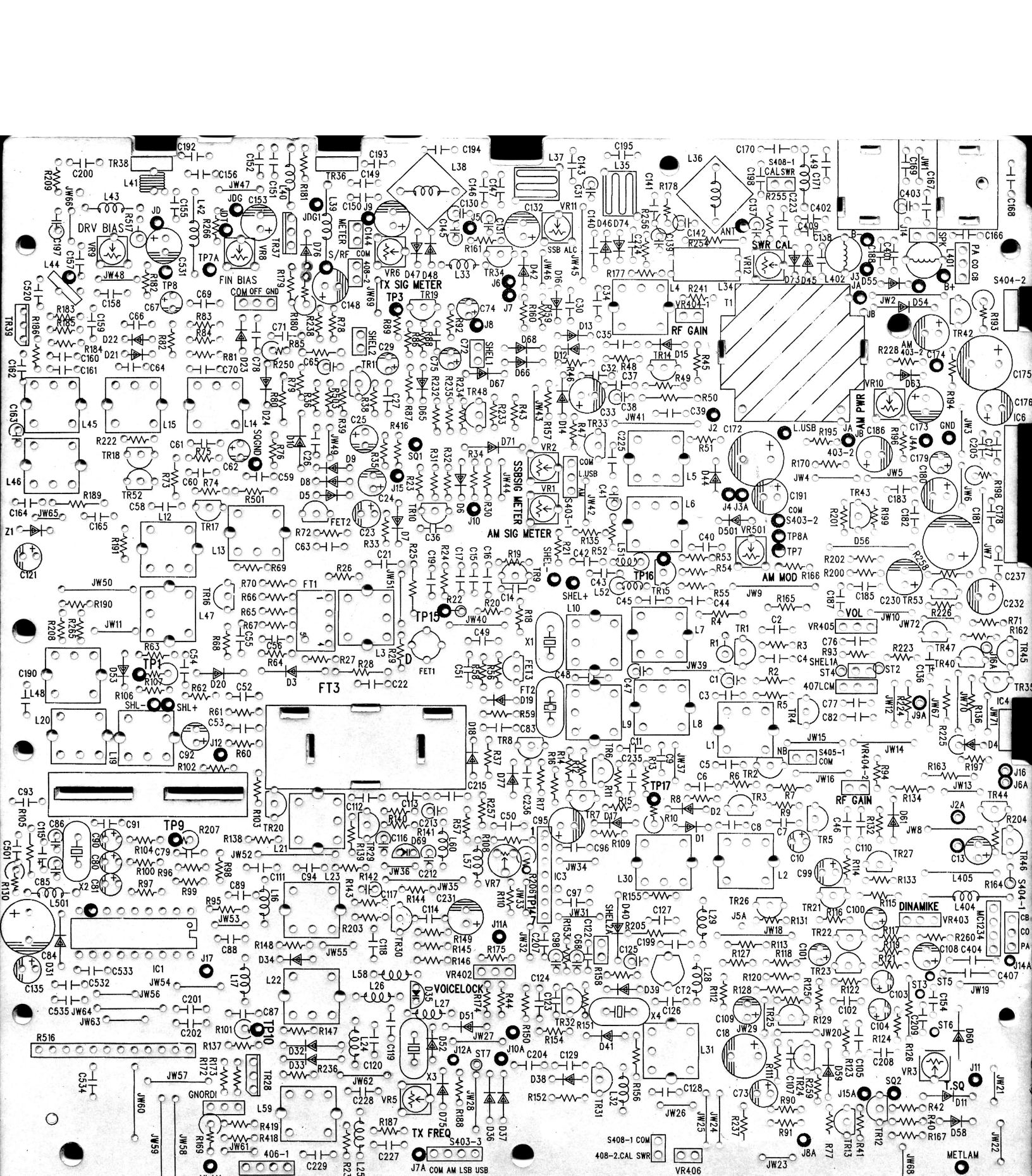


	TITLE: CIRCUIT DIAGRAM	
	DATE: 4/8/99	MDL: 148 NW ST
6500 W. CORTLAND ST. CHICAGO, ILLINOIS 60707	PART NO./DRAWING NO.	
	PAGE 2 OF 2	

# BLOCK DIAGRAM FOR COBRA 148NW ST NIGHT-WATCH



 6500 W. CORTLAND ST. CHICAGO, ILLINOIS 60707	TITLE: BLOCK DIAGRAM	
	DATE: 4/10/99	MDL: 148 NW ST
PART NO./DRAWING NO.		PAGE 2 OF 2



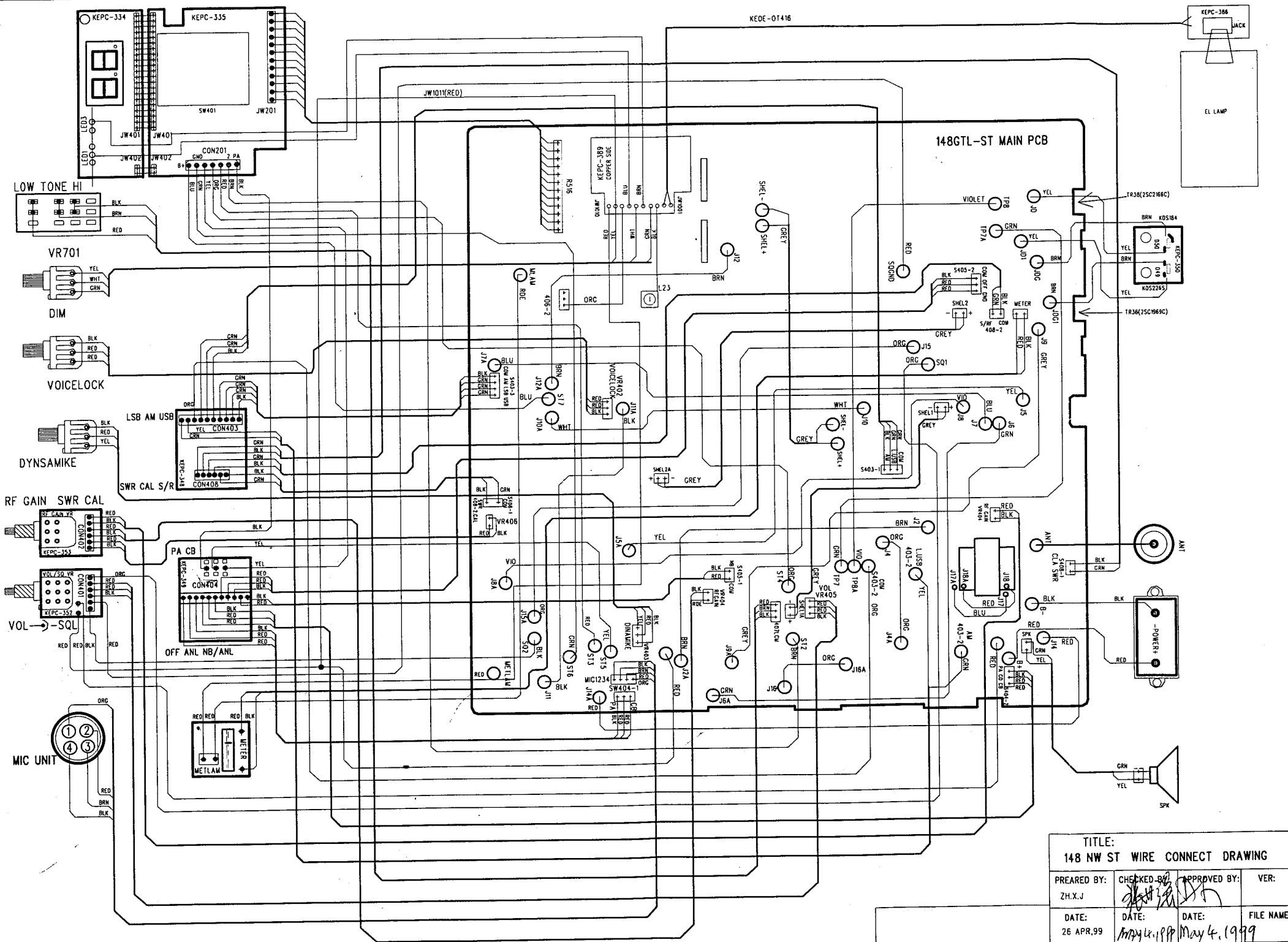
KEPC-332-D

9194VOA A2347-4-0

VR406

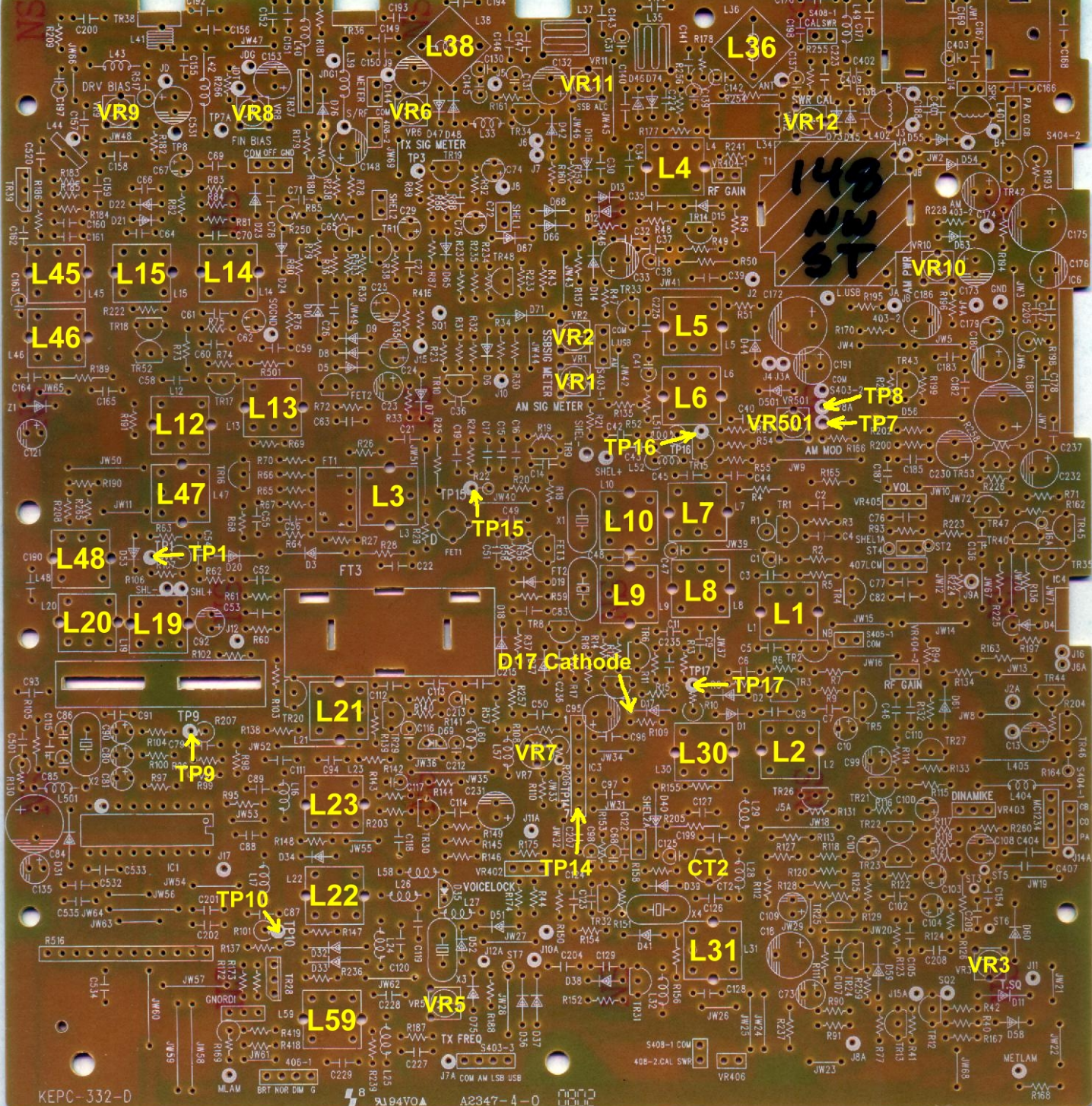






TITLE: 148 NW ST WIRE CONNECT DRAWING			
PREPARED BY: ZH.X.J	CHECKED BY: <i>[Signature]</i>	APPROVED BY: <i>[Signature]</i>	VER:
DATE: 26 APR.99	DATE: May 4, 1999	DATE: May 4, 1999	FILE NAME:





**148 NW ST Alignment Points**