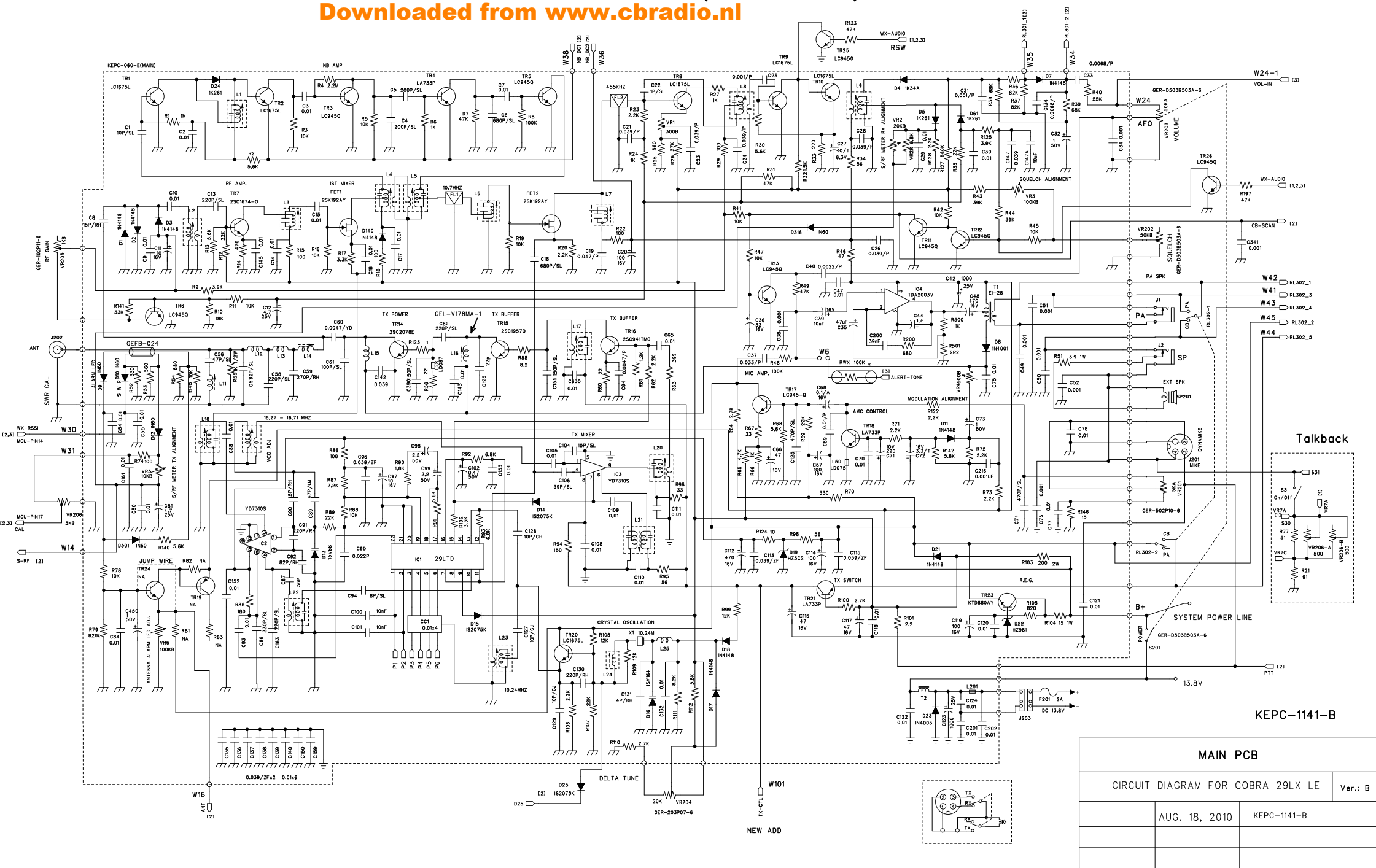


# CIRCUIT DIAGRAM OF 29LX MAIN PCB (PAGE 1 OF 4)

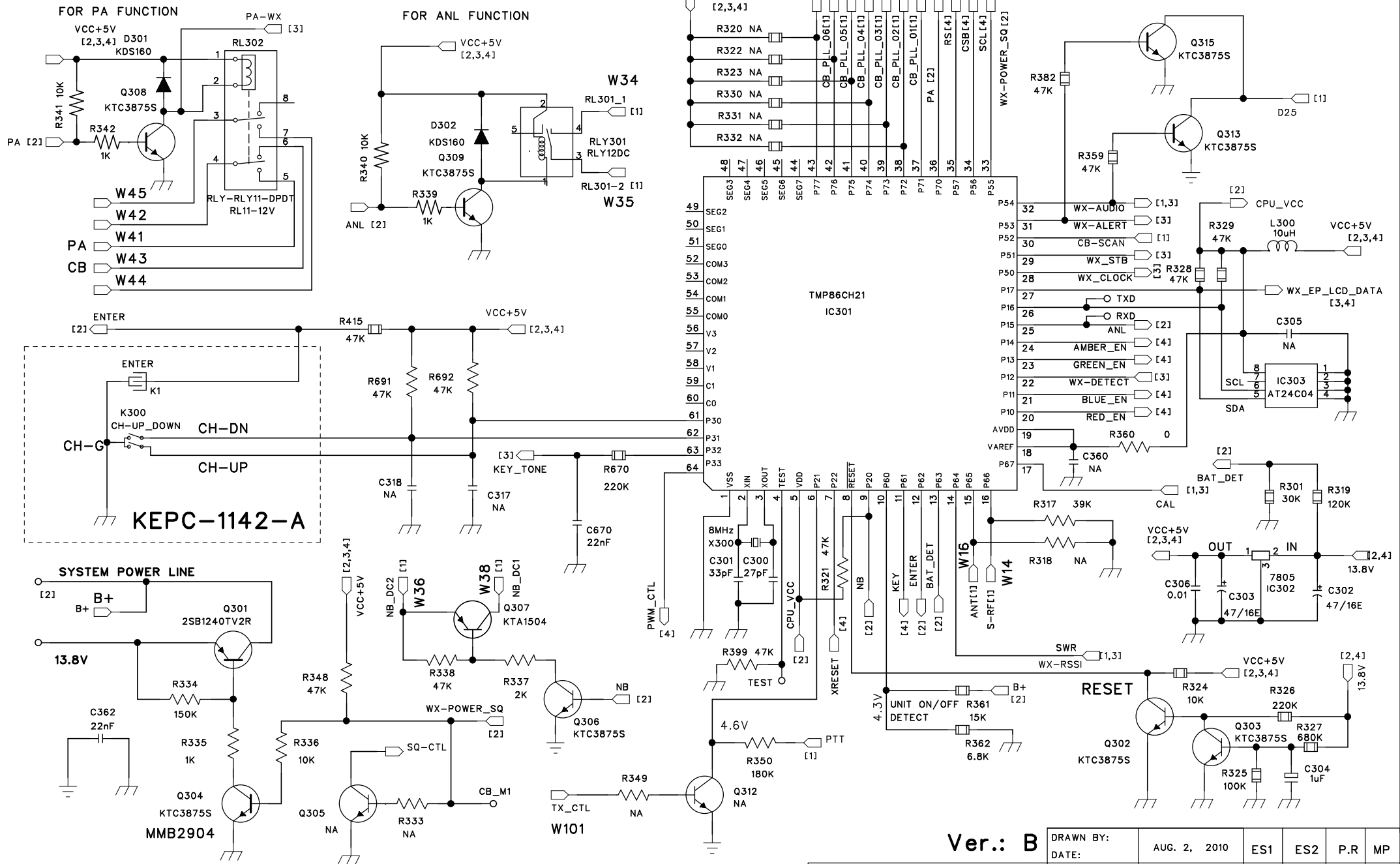
Downloaded from [www.cbradio.nl](http://www.cbradio.nl)



<b>MAIN PCB</b>	
CIRCUIT DIAGRAM FOR COBRA 29LX LE	
AUG. 18, 2010	KEPC-1141-B
Ver.: B	

# CIRCUIT DIAGRAM OF 29LX MCU PCB (PAGE 2 OF 4)

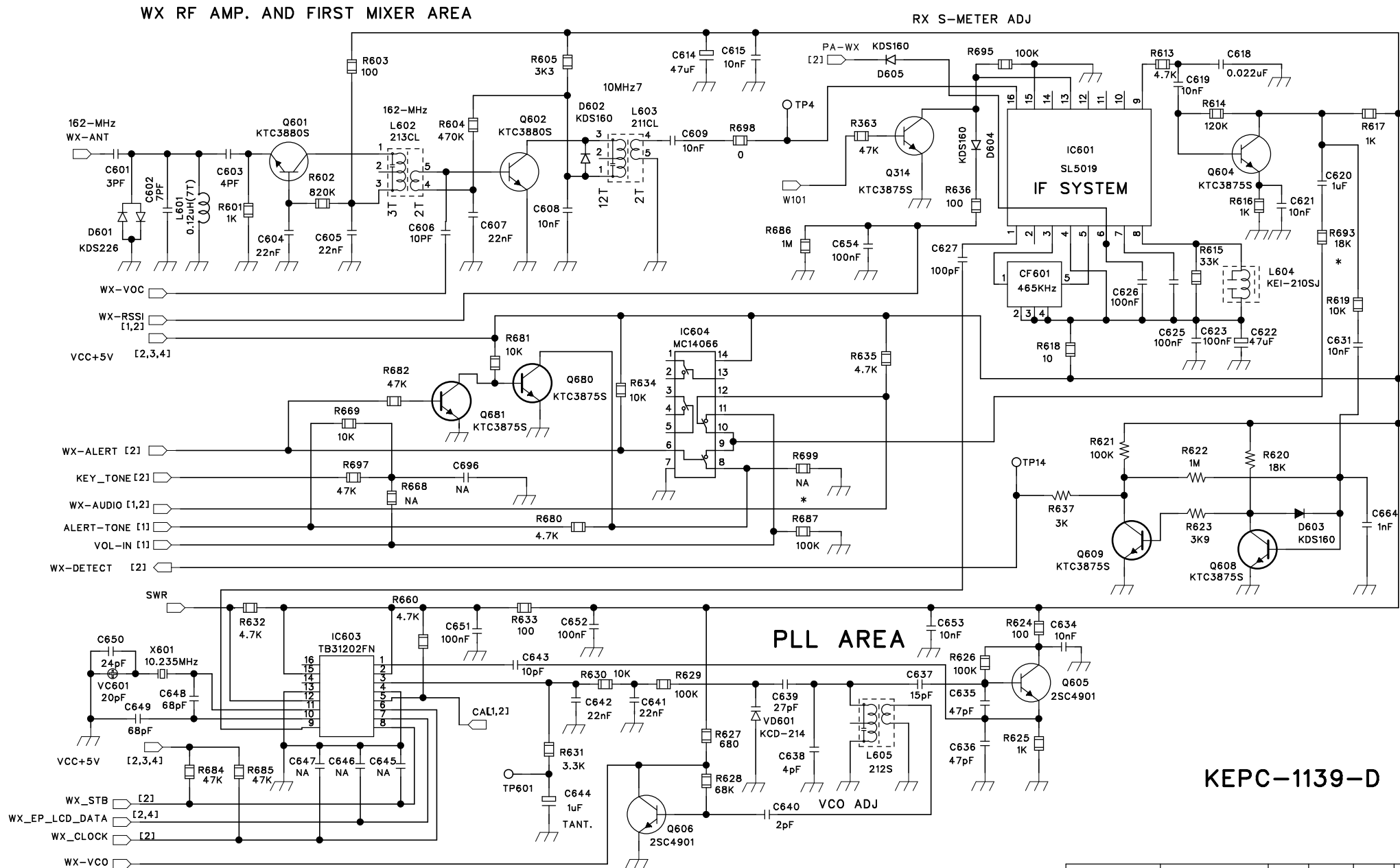
KEPC-1139-D



Ver.: B

DRAWN BY:	AUG. 2, 2010	ES1	ES2	P.R	MP
DATE:					
APPROVAL BY:					
DATE:					

# CIRCUIT DIAGRAM OF 29LX WX PCB (PAGE 3 OF 4)



KEPC-1139-D

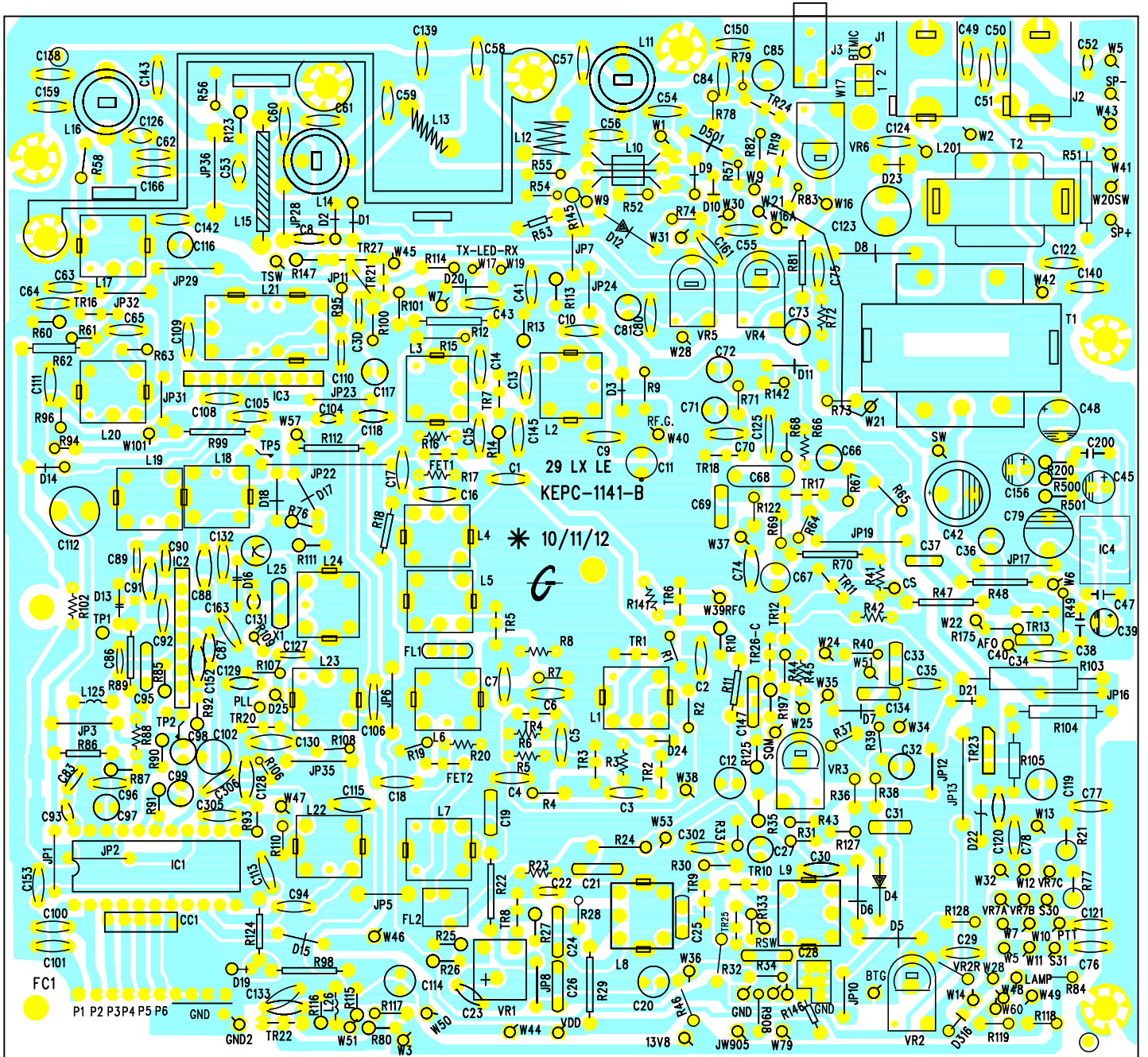
Ver.: B

DRAWN BY:		ES1	ES2	P.R	MP
DATE:	AUG. 2, 2010				
APPROVAL BY:					
DATE:					

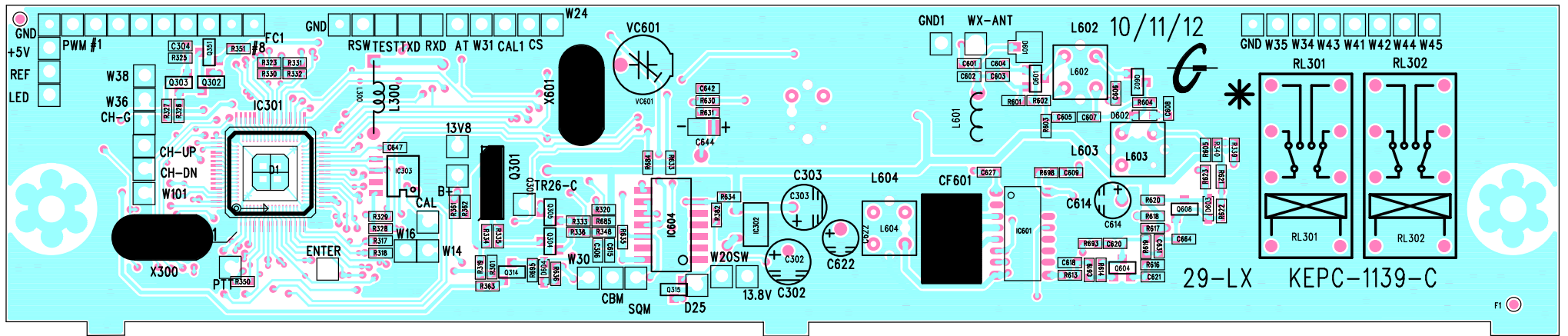


# 29 LX LE

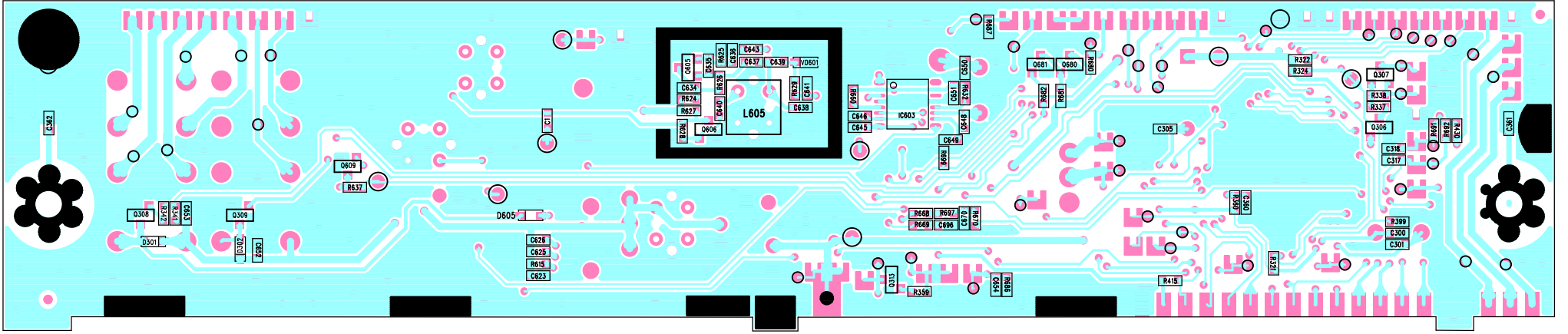
TOP SILKSCREEN



# SILKSCREEN TOP



SOLDER MASK BOTTOM

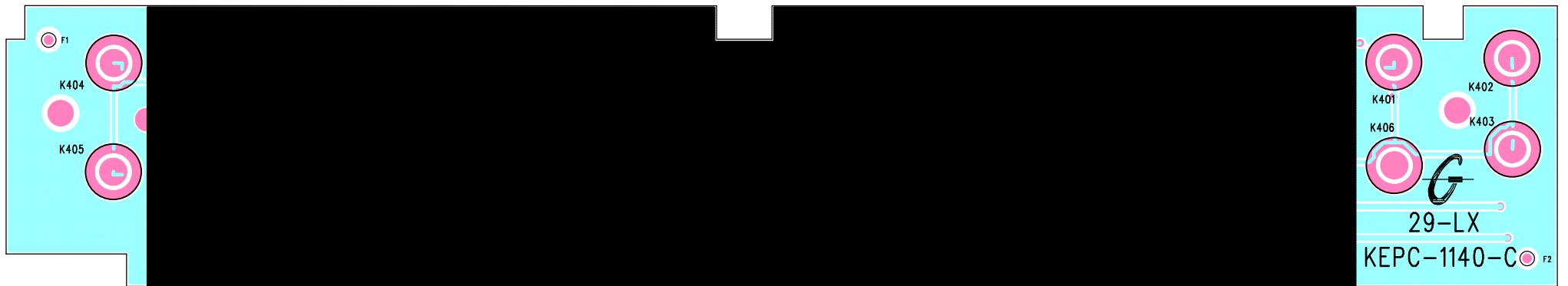




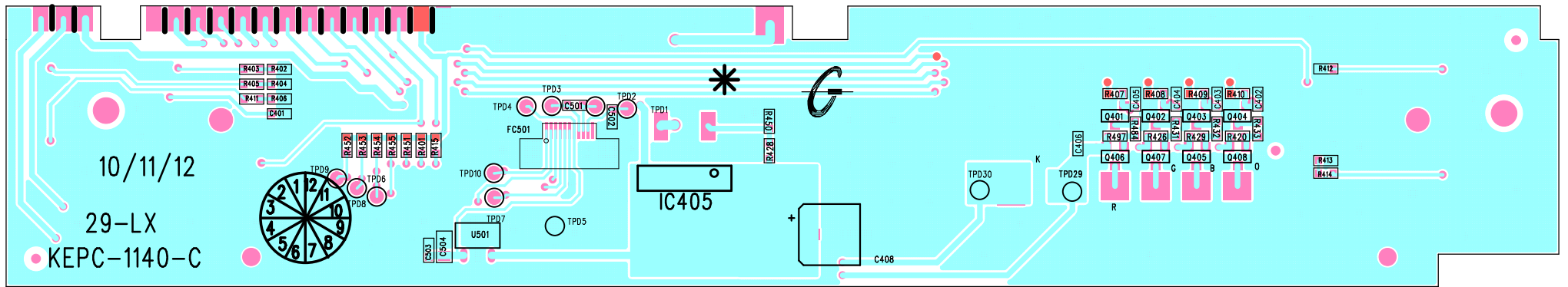




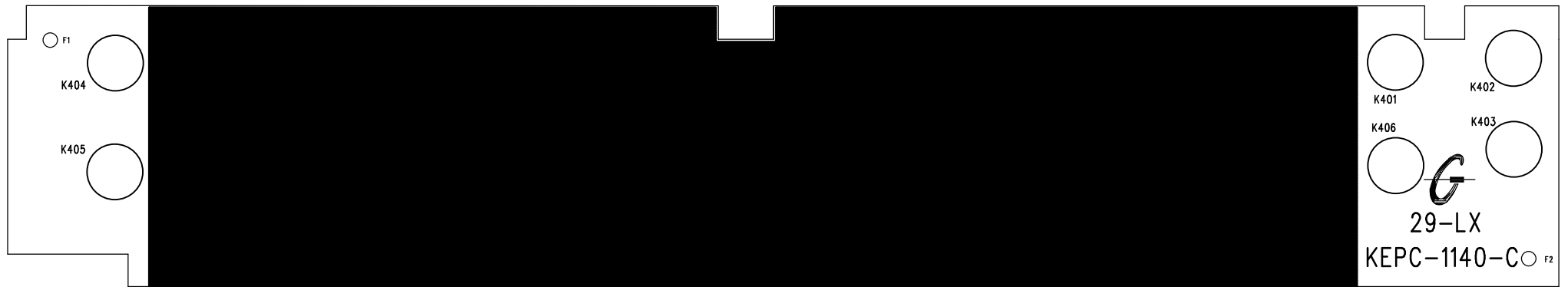
SILKSCREEN TOP



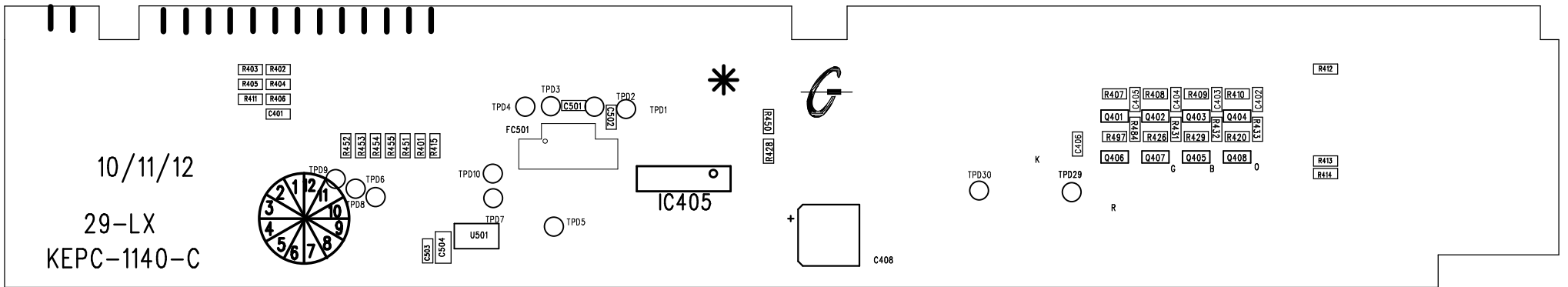
# SILKSCREEN BOTTOM



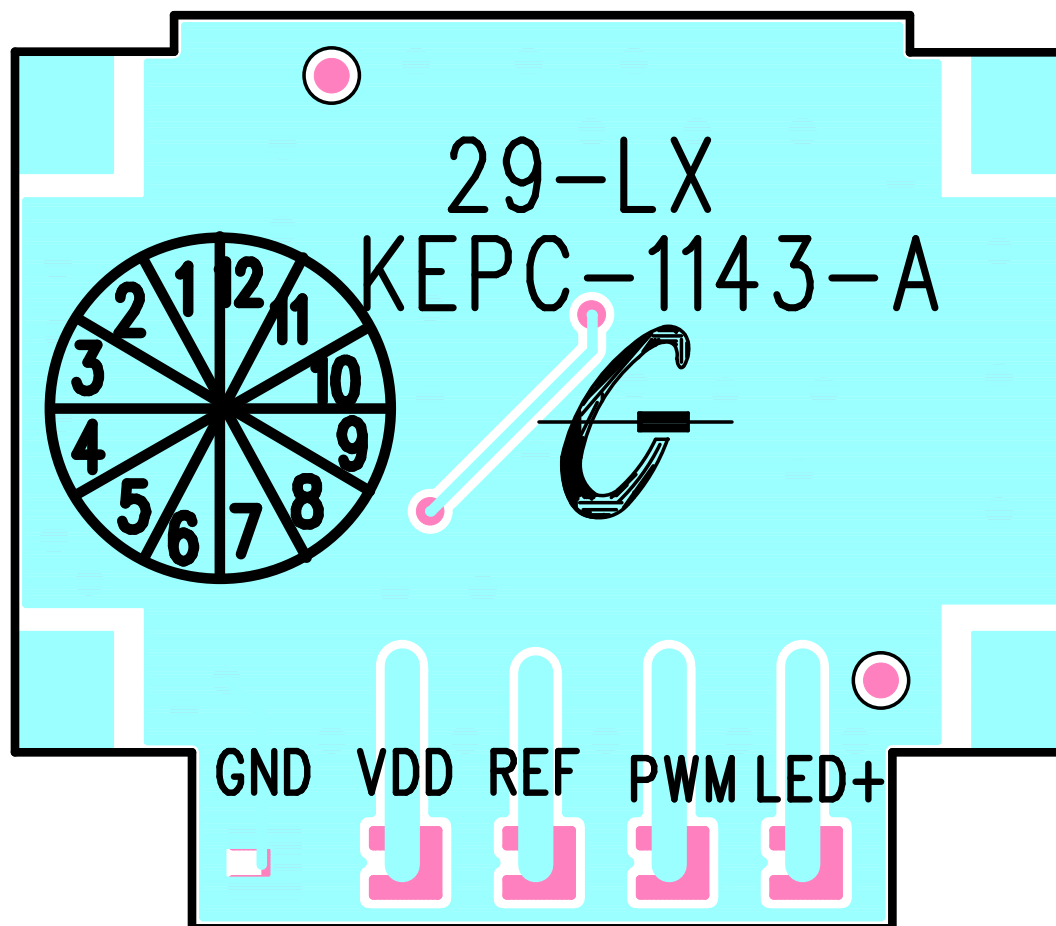
SILKSCREEN TOP



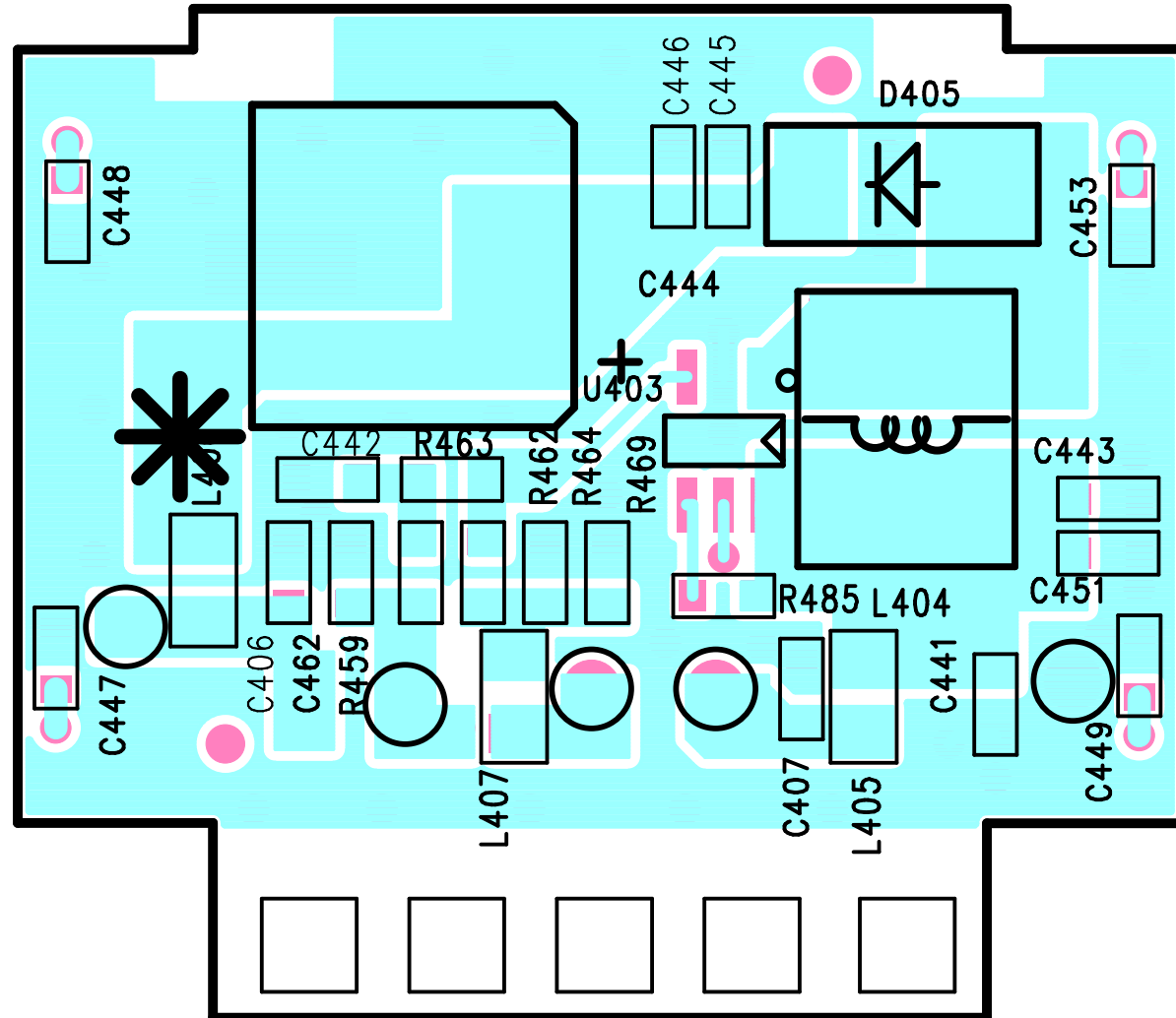
# SILKSCREEN BOTTOM



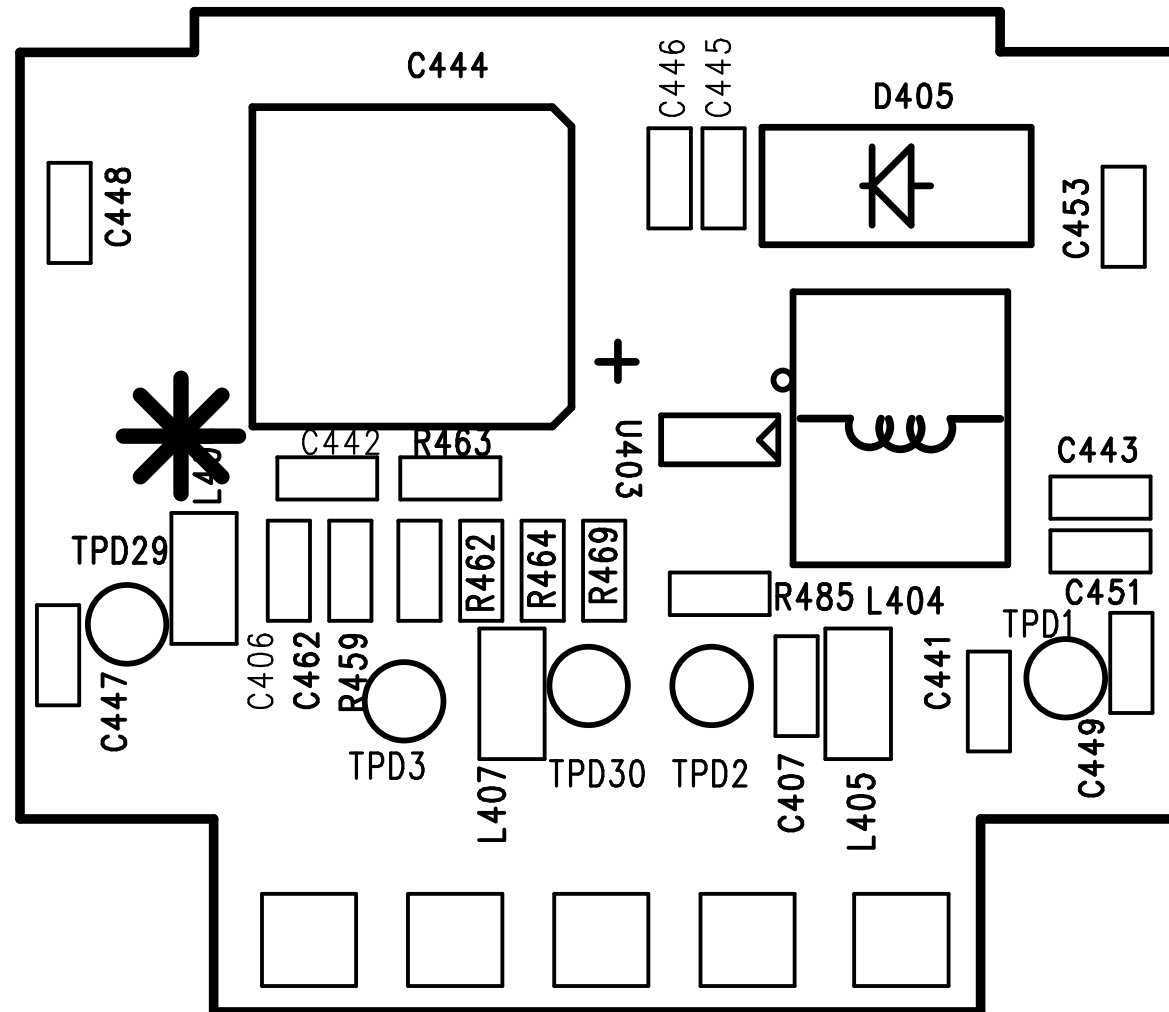
# SILKSCREEN TOP



# SILKSCREEN BOTTOM



# SILKSCREEN BOTTOM





# SILKSCREEN TOP

