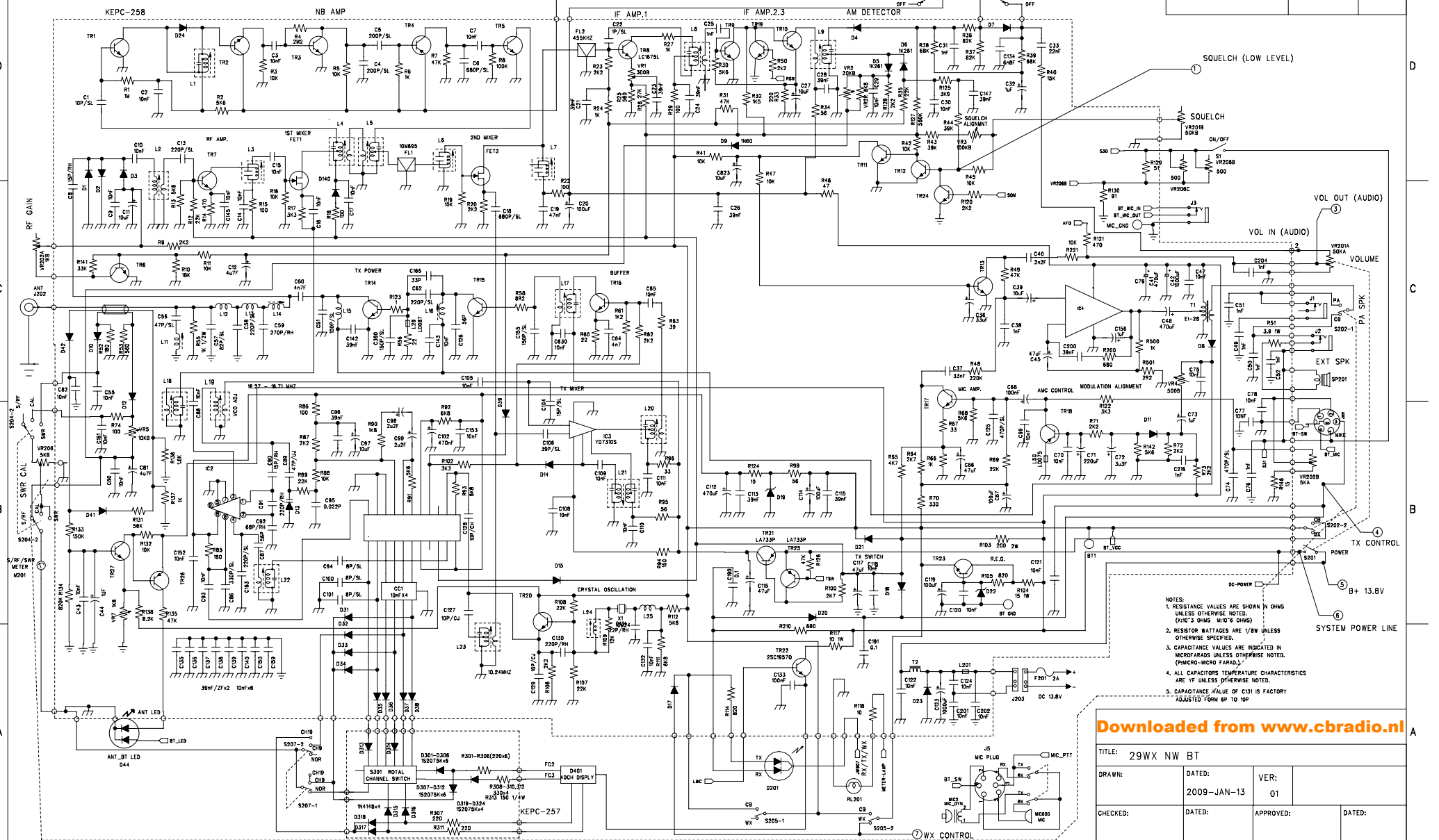


# CIRCUIT DIAGRAM FOR COBRA 29WX NW BT

REVISION RECORD		
UPDATE TO ECN NO.	APPROVED:	DATE:



- NOTES:
1. RESISTANCE VALUES ARE SHOWN IN OHMS UNLESS OTHERWISE NOTED. (OHMS IN OHMS, KILO OHMS IN K, MEG OHMS IN M)
  2. RESISTOR WATTAGES ARE 1/8W UNLESS OTHERWISE SPECIFIED.
  3. CAPACITANCE VALUES ARE INDICATED IN MICROFARADS UNLESS OTHERWISE NOTED. (PICOFARAD = P, NANOFARAD = N)
  4. ALL CAPACITORS TEMPERATURE CHARACTERISTICS ARE YF UNLESS OTHERWISE NOTED.
  5. CAPACITANCE VALUE OF C131 IS FACTORY ADJUSTED FORM 6P TO 10P

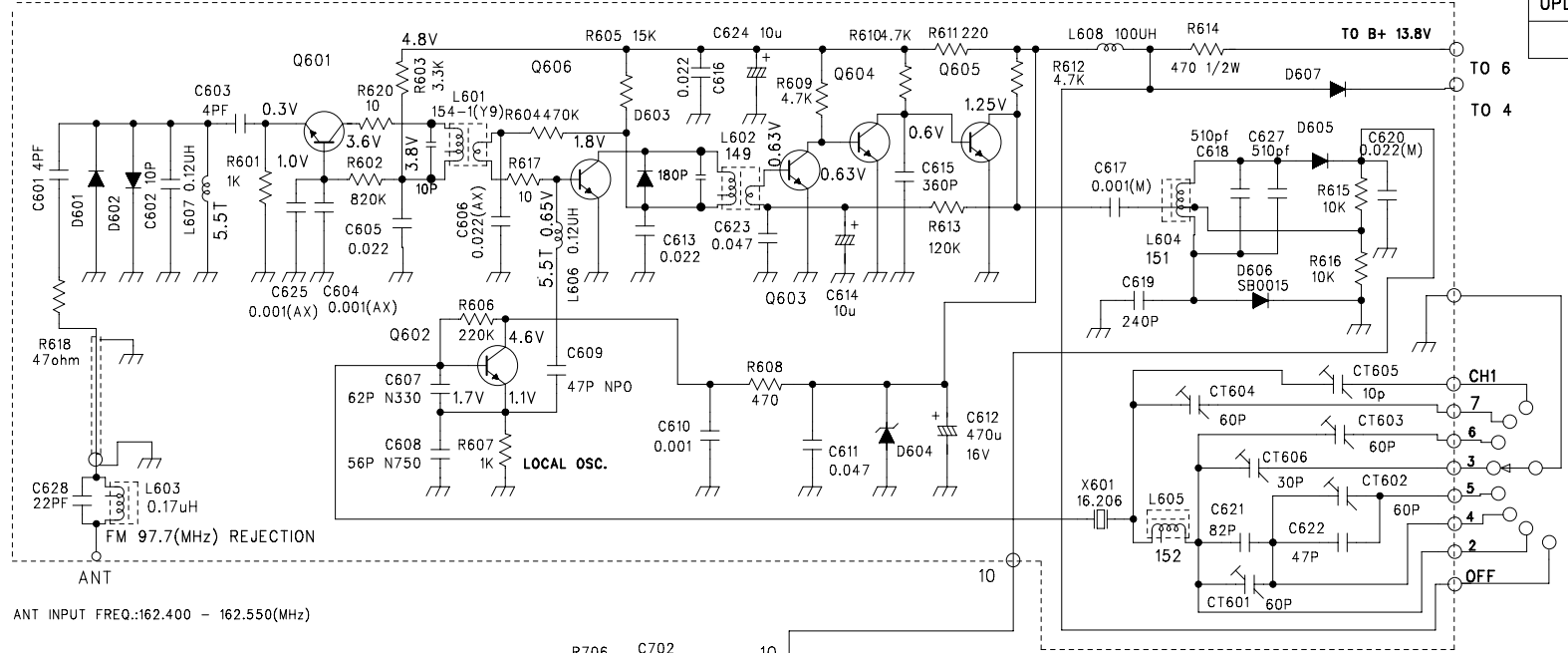
Downloaded from [www.cbradio.nl](http://www.cbradio.nl)

TITLE: 29WX NW BT			
DRAWN:	DATED: 2009-JAN-13	VER: 01	
CHECKED:	DATED:	APPROVED:	DATED:

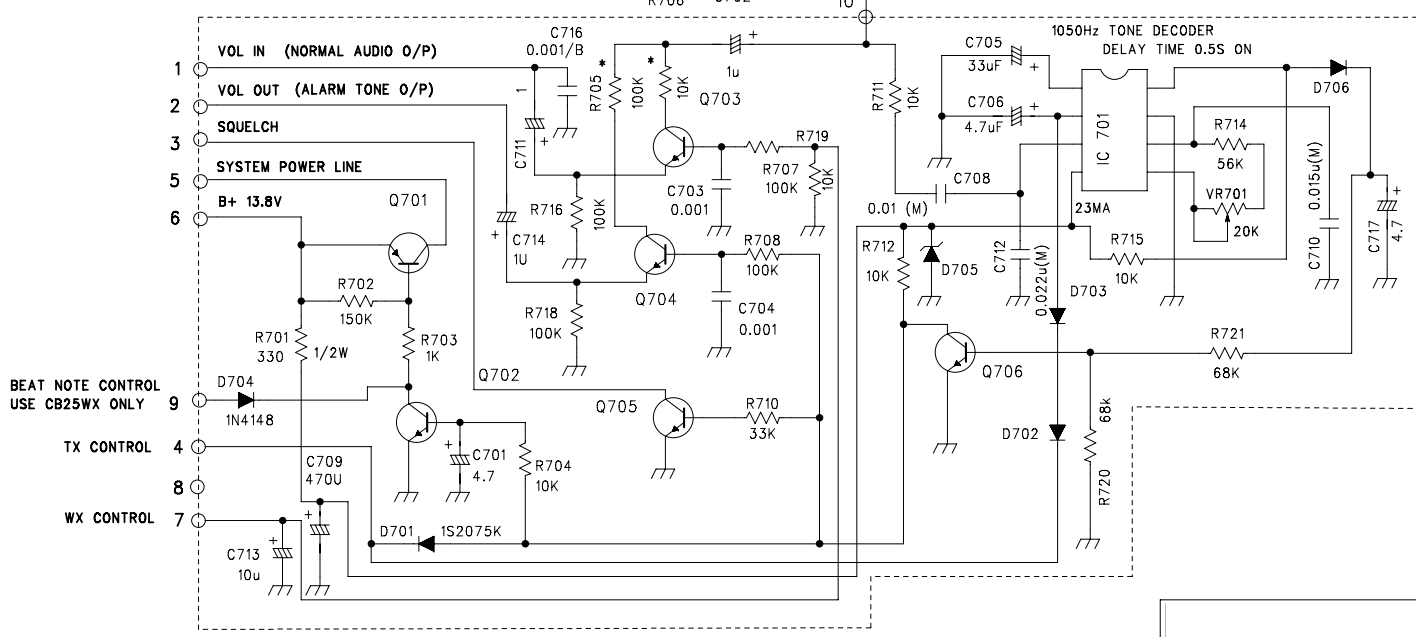
6 5 4 3 2 1

REVISION RECORD

UPDATE TO ECN	APPROVED:	DATE:



ANT INPUT FREQ.:162.400 - 162.550(MHz)



- 1) ALL RESISTOR ARE 1/8W EXCEPT SPECIFIED
- 2) \* R705 IS 15K FOR CB29WX, 100K FOR CB25WX, R706 IS 0 OHM FOR CB29, 47K FOR CB25.
- 3) C717 IS 4.7u DELAY TIME 0.8S
- 4) C717 IS 3.3u DELAY TIME 0.5S

TITLE: CB WEATHER BAND RECEIVER CIRCUIT DIAGRAM		REV: C
FILE NAME	0--WXORC	
MODEL NAME	29WX NW BT	
DRAWN:	S.Q.ZHANG	DATED: 03.3,1997
CHECKED:		DATED:
APPROVED:		DATED: JAN.14,97

D

D

C

C

B

B

A

A