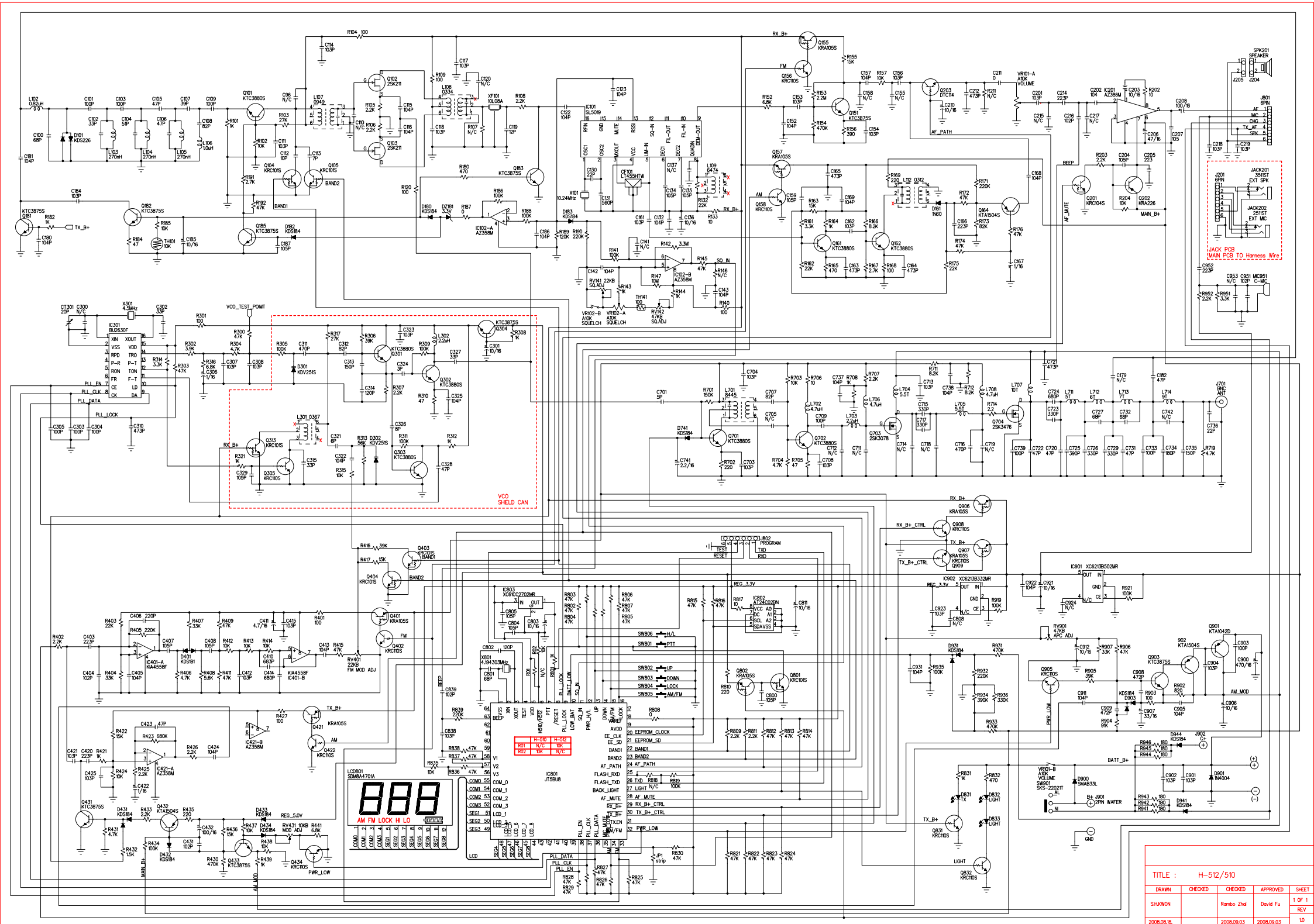


**INTEK H- 512 PLUS**

TITLE : H-512PLUS[BLOCK DIAGRAM)				
DRAWN	CHECKED	CHECKED	APPROVED	SHEET
S.H.KWON				1 OF 1
				REV
2008.02.10.				0.0A



JACK PCB  
MAIN PCB TO Harness Wire

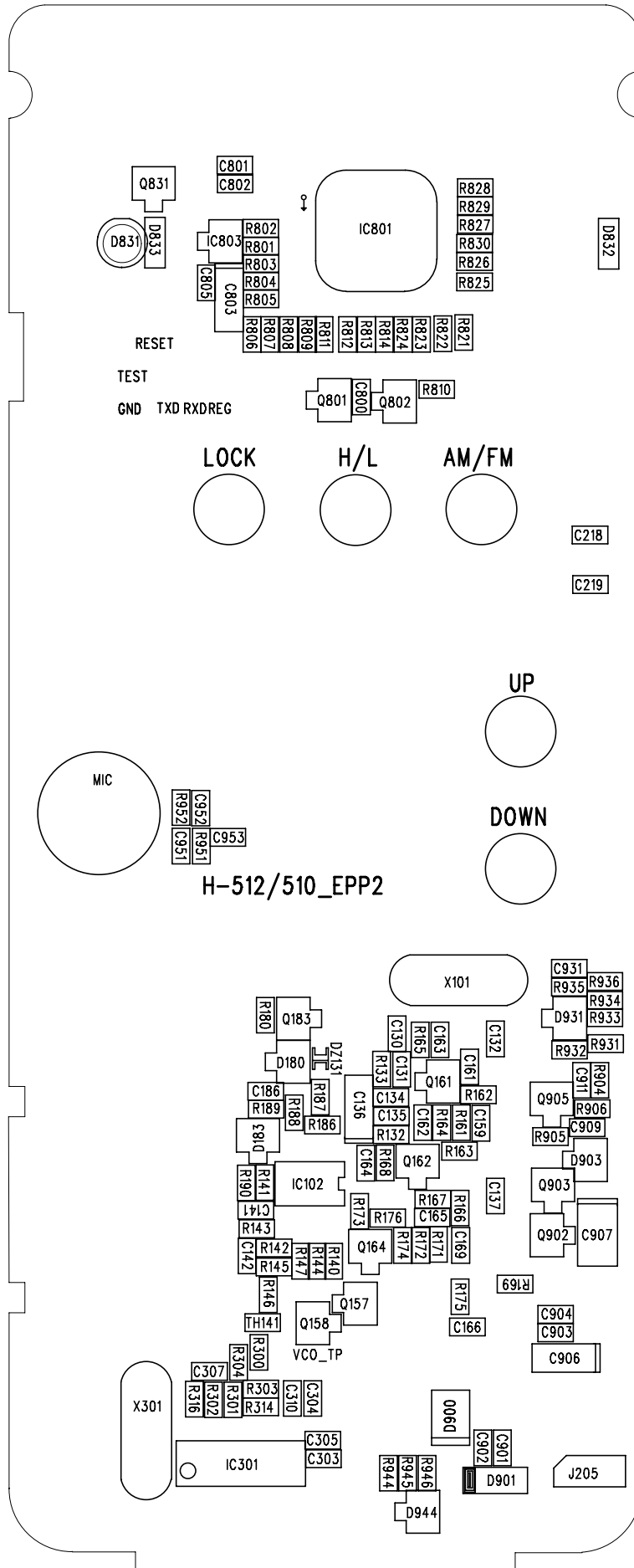
H-510  
R1: N/C  
R2: N/C

AM FM LOCK H L

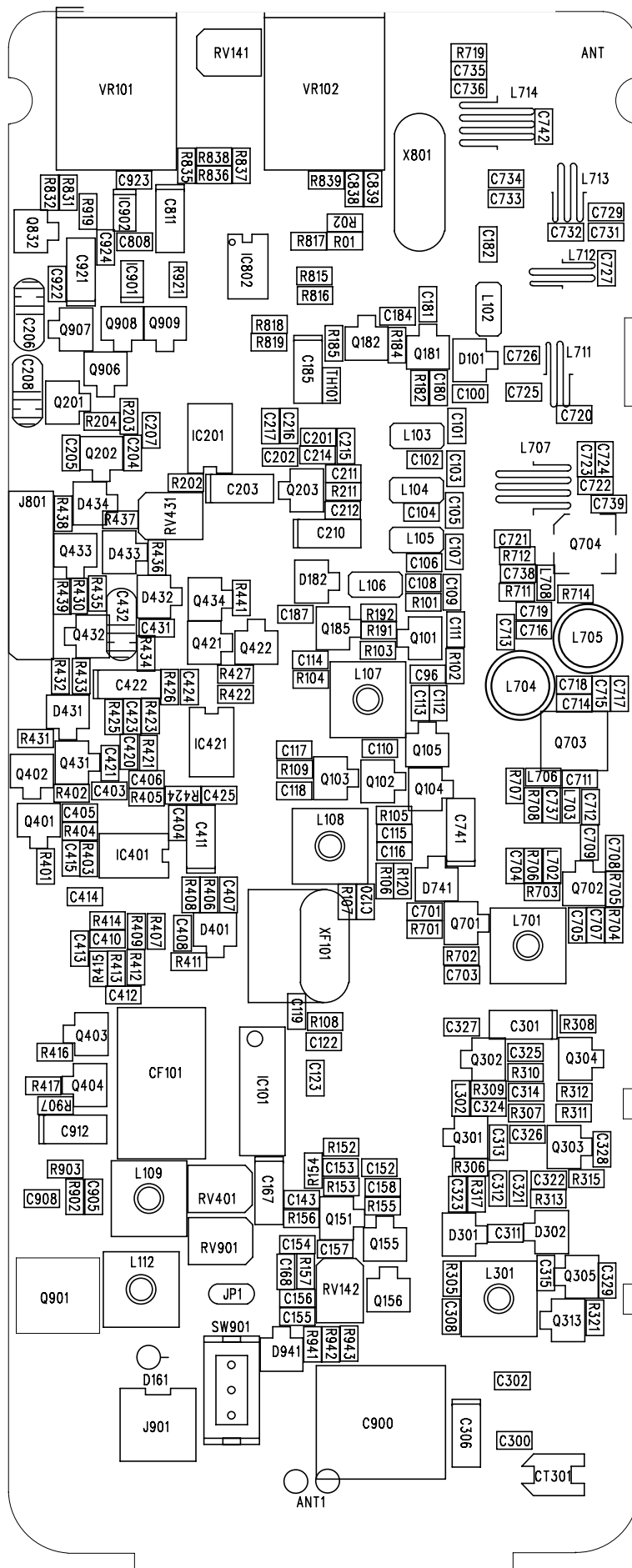
TITLE : H-512/510

DRAWN	CHECKED	APPROVED	SHEET
SHKWN	Rambo Zhai	David Fu	1 OF 1
2008.08.18	2008.09.03	2008.09.03	REV

# INTEK H-512//510 PLUS



# INTEK H-512/510 PLUS



Level	BUB Seq	Document no: Item no:	Rev: _____ Approved By: _____ Description	Cl	Tp	QP	UM	RevD	Ecn+L
0-----		090240-00	H512 WITH ADAPTOR/BATTERY						
1-----	1	2 0440-924000-000	PACKING ASS'Y FOR H512 WITH ADAPTOR/BATTERY	6K	0		1 EA	80523	
2-----	1	1 9453-001520-600	NI-MH BATTERY (AA,1500MA*6PCS PACK) WITH "INTEK" LOGO CORUN	3B	7		1 EA	80523	
2-----	2	2 9009-003010-000	AC/DC ADAPTOR (EUR,9VDC 300MA) PACKED IN SW1 WHITE BOX TENPA3A	3A	7		1 EA	80523	
2-----	3	3 0742-924000-000	GIFT BOX FOR H-512 INTEK 172*60*235MM,BLUE PANTONE 286	4B	7		1 EA	80523	
2-----	4	4 0960-925800-000	INNER BOX FOR H-510 INTEK,SW 2.0T 166*55*232MM	4B	7		1 EA	80523	
2-----	5	5 0750-925800-000	INNER TRAY-A,SW2.0T(B9B), 163*45*226 MM FOR RADIO	4B	7		1 EA	80523	
2-----	6	6 0961-925800-000	OUT CARTON BOX FOR H510/H512	4B	7	0,084	EA	80523	
2-----	7	7 0812-925800-000	MANUAL FOR H-510/512	4M	7		1 EA	80523	
2-----	8	8 0190-924000-000	PRODUCT LABEL FOR H512	4S	7		1 EA	80523	
2-----	9	9 0190-924000-001	POP LABEL FOR H-512	4S	7		1 EA	80523	
2-----	10	16 0211-201101-000	AIR BUBBLE POLYBAG,200*100MM	4P	7		1 EA	80627	ECP080 EMP080627-01
2-----	11	17 0190-270200-000	SERIAL NO.LABEL 20*27 mm (blank label),4-R1.2	4S	7	1,1	EA	80627	ECP080 EMP080627-03
2-----	12	12 0190-906000-000	OPP TAPE: 60MM TRANSPARENT	4S	7	0,3	M	80523	
2-----	13	13 0203-215301-000	POLY BAG 30*215*0.05T FOR ANTENNA RECYCLE MARK	4P	7		1 EA	80523	
2-----	14	14 0940-925800-000	PAD FOR OUT BOX,340*365mm B3B	4B	7	0,167	EA	80528	ECP080 EMP080528-02
2-----	15	15 0750-925800-001	INNER TRAY-B,SW2.0T(B9B), FOR BATTERY	4B	7		1 EA	80627	ECP080 EMP080627-01
1-----	2	1 4000-924000-000	CASE ASS'Y FOR H512	6C	0		1 EA	70810	
2-----	0	8 5100-924020-000	PCB T/U ASS'Y FOR H512	6P	2		1 EA	70810	
3-----	0	25 5100-924005-000	BONDING ASS'Y FOR H512	6P	2		1 EA	70810	
4-----	0	2 5100-924000-000	PCB SMT ASS'Y FOR H512	6P	2		1 EA	70810	
5-----	2	2 8066-206062-003	CHIP C.CAP 6PF +/-0.25PF 0603 0603CG060C9BB PHILIPS Pb-Free C321.	3C	7		1 EA	70810	
5-----	3	3 8066-208062-003	CHIP C.CAP 8PF +/-0.25PF 0603 0603CG080C9BB PHILIPS Pb-Free C326.	3C	7		1 EA	70810	
5-----	4	178 8066-210022-003	CHIP C.CAP 10PF +/-0.5PF 0603 0603CG100J9BB PHILIPS C112.	3C	7		1 EA	80714	ECE080 H510/512/080714
5-----	8	8 8066-233022-003	CHIP C.CAP 33PF +/-5% 0603 0603CG330J9BB PHILIPS Pb-Free C102.C302.C327.	3C	7		3 EA	70810	
5-----	9	9 8066-239022-003	CHIP C.CAP 39PF +/-5% 0603 0603CG390J9BB PHILIPS Pb-Free C107.	3C	7		1 EA	70810	
5-----	10	10 8066-247022-003	CHIP C.CAP 47PF +/-5% 0603 0603CG470J9BB PHILIPS Pb-Free C105.C106.C182.C328.C720.C731.C722.C423.	3C	7		8 EA	70810	
5-----	11	11 8066-251022-003	CHIP C.CAP 51PF +/-5% 0603 0603CG510J9BB PHILIPS Pb-Free C104.	3C	7		1 EA	70810	
5-----	13	13 8066-268022-003	CHIP C.CAP 68PF +/-5% 0603 0603CG680J 9BB PHILIPS Pb-Free C727.C732.C801.C315.C100.	3C	7		5 EA	70810	

Effect date:20080903 Printed Date: 20080903 Printed Time: 09:59:53

Level	BUB	Seq	Document no: Item no:	Rev: _____ Description	Approved By: _____	Cl	Tp	QP	UM	RevD	Ecn+L
5-----	14	14	8066-282022-003	CHIP C.CAP 82PF +/-5% 0603 0603CG820J9BB PHILIPS Pb-Free C312.C707.C108.		3C	7		3 EA	70810	
5-----	15	144	8066-210122-003	CHIP C.CAP 100PF +/-5% 0603 0603CG101J9BB PHILIPS Pb-Free C101.C103.C109.C303.C305.C709.C733.C903.C739.C304.		3C	7		10 EA	80627	ECE080 H510/512/080627
5-----	16	145	8066-215122-003	CHIP C.CAP 150PF +/-5% 0603 0603CG151J9BB PHILIPS Pb-Free C313.C735.		3C	7		2 EA	80627	ECE080 H510/512/080627
5-----	17	17	8066-218122-003	CHIP .CAP 180PF +/-5% 0603 50V PHILIPS Pb-Free C734.		3C	7		1 EA	70810	
5-----	19	19	8066-233122-003	CHIP C.CAP 330PF +/-5% 0603 0603CG331J9BB PHILIPS Pb-Free C715.C717.C723.C725.C726.C729.		3C	7		6 EA	70810	
5-----	20	20	8066-247134-003	CHIP CAP.470PF +/-10% 0603 PHILIPS C311.C716.		3C	7		2 EA	70810	
5-----	21	21	8066-268134-003	CHIP C.CAP 680PF +/-10% 0603 PHILIPS C414.C724.		3C	7		2 EA	70810	
5-----	22	22	8066-210234-003	CHIP C.CAP 0.001UF +/-10% 0603 06032R102K9BB PHILIPS Pb-Free C216.C404.C431.C839.C951.		3C	7		5 EA	70810	
5-----	23	23	8066-247234-003	CHIP C.CAP 0.0047UF +/-10%0603 06032R472K9BB PHILIPS Pb-Free C908.C909.		3C	7		2 EA	70810	
5-----	24	169	8064-210334-003	CHIP C.CAP 0.01UF +/-10% 0603 06032R103K8BB PHILIPS Pb-Free C111.C114.C118.C153.C154.C156.C161.C162.C184.C323.C412.C415. C703.C704.C708.C713.C838.C901.C902.C904.C117.C307.C425.C218. C219.C421.		3C	7		26 EA	80714	ECE080 H510/512/080714
5-----	25	170	8066-222334-003	CHIP C.CAP 0.022UF +/-10% 0603 X7R PHILIPS Pb-Free C166.C205.C214.C403.C952.C420.		3C	7		6 EA	80714	ECE080 H510/512/080714
5-----	26	148	8063-247334-003	CHIP C.CAP 0.047UF +/-10% 0603 06032R473K7BB PHILIPS Pb-Free C163.C164.C165.C310.C721.C212.		3C	7		6 EA	80627	ECE080 H510/512/080627
5-----	27	27	8063-268334-003	CHIP C.CAP 0.068UF +/-10% 0603 06032R683K7BB PHILIPS Pb-Free C410.		3C	7		1 EA	70810	
5-----	28	168	8064-210457-003	CHIP C.CAP 0.1UF +80/-20% 0603 06032F104Z8BB PHILIPS Pb-Free C115.C116.C122.C123.C132.C142.C143.C168.C169.C180.C181.C186. C202.C308.C322.C325.C405.C413.C737.C738.C931.C152.C157.C911. C922.C424.		3C	7		26 EA	80714	ECE080 H510/512/080714
5-----	29	160	8061-210557-003	CHIP C.CAP 1UF +80%/-20% 0603 06032F105Z6BB PHILIPS Pb-Free C134.C135.C159.C207.C407.C408.C800.C204.C187.C329.C805.C804.		3C	7		12 EA	80714	ECE080 H510/512/080714
5-----	30	30	8043-510540-000	T.CAP 1UF/16V +/-20% A SIZE Pb-Free C167.C306.C422.		3C	7		3 EA	70810	
5-----	31	31	8043-510640-000	T.CAP 10UF/16V +/-20% SIZE A Pb-Free C136.C185.C203.C210.C301.C803.C811.C912.C921.C906.		3C	7		10 EA	70810	

Effect date:20080903 Printed Date: 20080903 Printed Time: 09:59:53

Level	BUB	Seq	Document no: Item no:	Rev: _____ Description	Approved By: _____	CI	TP	QP	UM	RevD	Ecn+L
5-----	32	32	8043-122500-000	CHIP TANTAL 2.2UF/16V A TYPE Pb-Free C741.		3C	7		1 EA	70810	
5-----	34	34	8041-633601-000	CAP.TANTAL 33UF/10V T-B TYPE (T491B336K010AT KEMET) C907.		3C	7		1 EA	70810	
5-----	35	35	8043-547540-000	T.CAP 4.7UF/16V +/-20% A SIZE Pb-Free C411.		3C	7		1 EA	70810	
5-----	36	36	8090-020000-004	CHIP TRIMMER STC3M20-T1 20PF (STD) Pb-Free CT301.		3C	7		1 EA	70810	
5-----	37	37	5052-924002-000	MAIN PCB VER.EPP2 FOR H512		3P	7		1 EA	70810	
5-----	38	38	5052-924001-001	JACK PCB VER.EPP2 FOR H512		3P	7		1 EA	70810	
5-----	39	39	5231-038604-000	IC SPEAKER AZ386M AAC Pb-Free IC201.		3I	7		1 EA	70810	
5-----	40	40	5231-035804-000	IC LINEAR OP AMP AZ358MTR-E1 BCD IC102.IC421.		3I	7		2 EA	70810	
5-----	41	41	5239-924020-000	IC AT24C02BN-SH-B ATMEL IC802.		3I	7		1 EA	70810	
5-----	42	42	5231-055800-000	IC OP AMP KIA4558F KEC Pb-Free IC401.		3I	7		1 EA	70810	
5-----	43	43	5234-001900-000	IC IF SL5019 AUK IC101.		3I	7		1 EA	70810	
5-----	44	44	5233-033201-000	IC REGULATOR XC6201P332MR 3.3V TOREX IC902.		3I	7		1 EA	70810	
5-----	45	45	5233-270200-000	IC VOLTAGE DETECTOR 2.7V XC61CC2702MR TOREX IC803.		3I	7		1 EA	70810	
5-----	47	47	5239-026300-000	IC PLL BU2630F ROHM IC301.		3I	7		1 EA	70810	
5-----	48	48	6550-112216-000	LED 12-21VGC/TR8 HUALIGHT Pb-Free D832.D833.		3D	7		2 EA	70810	
5-----	49	49	6530-003301-000	ZENER DIODE (ESC) KDZ3.3EV KEC DZ181.		3D	7		1 EA	70810	
5-----	50	50	6580-002260-000	CHIP DIODE: KDS226 SOT-23(KEC) Pb-Free D101.		3D	7		1 EA	70810	
5-----	51	51	6580-001810-000	CHIP DIODE:KDS181 SOT-23 (KEC) Pb-Free D401.		3D	7		1 EA	70810	
5-----	52	52	6580-001841-000	CHIP DIODE:KDS184 KEC Pb-Free D180.D182.D431.D432.D433.D434.D741.D903.D931.D941.D944.D183.		3D	7		12 EA	70810	
5-----	53	53	6580-002511-000	DIODE VARICAP KDV251S(C Grade) SOT-23 KEC D301.D302.		3D	7		2 EA	70810	

Effect date:20080903 Printed Date: 20080903 Printed Time: 09:59:53

Level	BUB	Seq	Item no:	Document no:	Rev: _____	Approved By: _____	Description	Cl	Tp	QP	UM	RevD	Ecn+L
5-----	54	54	6080-034760-000				CHIP TRANSISTOR 2SK3476-TE12L Q704.	3T	7		1 EA	70810	
5-----	55	55	6080-030780-000				RF POWER TRANSISTORS 2SK3078 (SOT-223) TOSHIBA Q703.	3T	7		1 EA	70810	
5-----	56	56	6080-202110-000				CHIP TANSISTOR 2SK211-Y SOT-23 (TOSHIBA) Q102.Q103.	3T	7		2 EA	70810	
5-----	57	57	6080-015040-000				CHIP SI-TRANSISTOR Pb-Free KTA1504SY SOT-23 Q164.Q432.Q902.	3T	7		3 EA	70810	
5-----	58	58	6080-010420-000				CHIP TRANSISTOR KTA1042D KEC Q901.	3T	7		1 EA	70810	
5-----	59	59	6080-338750-000				CHIP TRANSISTOR KTC3875SGR KEC Pb-Free Q151.Q181.Q182.Q183.Q185.Q304.Q431.Q433.Q903.	3T	7		9 EA	70810	
5-----	60	60	6080-238800-000				CHIP RF TRANSISTORS Pb-Free KTC3880 (AQY) NPN SOT-23 KEC Q101.Q161.Q162.Q301.Q302.Q303.Q701.Q702.	3T	7		8 EA	70810	
5-----	61	61	6080-001050-000				CHIP TRANSISTOR KRA105S (KEC) Pb-Free Q155.Q157.Q401.Q421.Q802.Q906.Q907.	3T	7		7 EA	70810	
5-----	62	62	6080-001010-000				CHIP TRANSISTOR KRC101S KEC Pb-Free Q104.Q105.Q313.Q403.Q404.Q801.	3T	7		6 EA	70810	
5-----	63	63	6080-001040-000				CHIP TRANSISTOR KRC104STK KEC SOT-23 Pb-Free Q201.	3T	7		1 EA	70810	
5-----	64	64	6080-001100-000				CHIP SI-TRANSISTOR KRC110S RTK (KEC) Pb-Free Q156.Q402.Q434.Q831.Q832.Q905.Q908.Q909.Q422.Q158.Q305.	3T	7		11 EA	70810	
5-----	65	65	6080-001110-000				CHIP TRANSISTOR, KRC111S KEC Pb-Free Q203.	3T	7		1 EA	70810	
5-----	66	66	6080-002260-000				CHIP TRANSISTOR, KRA226S KEC Pb-Free Q202.	3T	7		1 EA	70810	
5-----	69	69	7430-010101-000				THERMISTOR 100ohm 0603(MURATA) NCP18XF101J03RB Pb-Free TH141.	3R	7		1 EA	70810	
5-----	70	70	7430-010306-000				THERMISTOR 10K 0603 Pb-Free NCP18XF103J03RB (MURATA) TH101.	3R	7		1 EA	70810	
5-----	71	71	7501-010301-000				CHIP SEMI:EVM3YSX50BE4 10KB (NOBLE) Pb-Free RV431.	3C	7		1 EA	70810	
5-----	72	72	7501-022300-000				CHIP SEMI:EVM3YSX50BE4 22KB NOBILE Pb-Free RV401.RV141.	3C	7		2 EA	70810	
5-----	73	73	7501-047303-000				CHIP SEMI EVM3YSX50BE4 47KB (NOBLE) Pb-Free RV142.RV901.	3C	7		2 EA	70810	
5-----	74	74	7078-900005-000				CHIP RES. 1/16W 0ohm+/-5% 0603 HK R187.C211.C201.R808.	3R	7		4 EA	70810	



Effect date:20080903 Printed Date: 20080903 Printed Time: 09:59:53

Level	BUB	Seq	Document no: Item no:	Rev: _____ Description	Approved By: _____	Cl	Tp	QP	UM	RevD	Ecn+L
5-----	75	75	7078-901005-000	CHIP RES. 1/16W 10ohm+/-5% 0603 HK R133.R706.R202.R817.		3R	7		4 EA	70810	
5-----	76	179	7078-901015-000	CHIP RES. 1/16W 100ohm+/-5% 0603 HK R104.R109.R140.R168.R301.R401.R427.R120.R903.		3R	7		9 EA	80730	ECE080 H510/512/08073C
5-----	77	77	7078-901025-000	CHIP RES. 1/16W 1Kohm+/-5% 0603 HK R164.R182.R308.R312.R421.R439.R801.R831.R144.R101.R321.R708. R143.		3R	7		13 EA	70810	
5-----	78	171	7078-901035-000	CHIP RES. 1/16W 10Kohm +/-5% 0603 HK R01.R102.R157.R185.R315.R412.R413.R414.R424.R437.R438.R703. R835.R204.		3R	7		14 EA	80714	ECE080 H510/512/080714
5-----	79	79	7078-901045-000	CHIP RES. 1/16W 100Kohm+/-5% 0603 HK R141.R186.R188.R305.R309.R311.R434.R819.R919.R935.R921.		3R	7		11 EA	70810	
5-----	80	80	7078-901245-000	CHIP RES. 1/16W 120Kohm+/-5% 0603 HK R189.		3R	7		1 EA	70810	
5-----	81	81	7078-901525-000	RES SMD 1.5Kohm+/-5% 0603 1/16W HK R432.		3R	7		1 EA	70810	
5-----	82	82	7078-901535-000	CHIP RES. 1/16W 15Kohm+/-5% 0603 HK R155.R417.R422.R163.R436.		3R	7		5 EA	70810	
5-----	83	83	7078-901545-000	CHIP RES. 1/16W 150Kohm+/-5% 0603 HK R701.		3R	7		1 EA	70810	
5-----	84	84	7078-901815-000	CHIP RES. 1/16W 180ohm+/-5% 0603 HK R941.R942.R943.R944.R945.R946.		3R	7		6 EA	70810	
5-----	86	86	7078-902295-000	CHIP RES. 1/16W 2.2ohm+/-5% 0603 HK R714.		3R	7		1 EA	70810	
5-----	87	153	7078-902215-000	CHIP RES. 1/16W 220ohm+/-5% 0603 HK R169.R435.R702.R810.		3R	7		4 EA	80627	ECE080 H510/512/080627
5-----	88	180	7078-902225-000	CHIP RES. 1/16W 2.2Kohm+/-5% 0603 HK R105.R106.R108.R402.R426.R433.R809.R707.R425.R203.R952.R811. R307.		3R	7		13 EA	80730	ECE080 H510/512/08073C
5-----	89	164	7078-902235-000	CHIP RES. 1/16W 22Kohm+/-5% 0603 HK R162.R175.R132.R403.		3R	7		4 EA	80714	ECE080 H510/512/080714
5-----	90	173	7078-902245-000	CHIP RES. 1/16W 220K+/-5% 0603 HK R171.R839.R932.R190.R405.		3R	7		5 EA	80714	ECE080 H510/512/080714
5-----	91	91	7078-902255-000	CHIP RES. 1/16W 2.2Mohm+/-5% 0603 HK R153.		3R	7		1 EA	70810	
5-----	92	166	7078-902725-000	CHIP RES. 1/16W 2.7Kohm+/-5% 0603 HK R167.R191.		3R	7		2 EA	80714	ECE080 H510/512/080714
5-----	93	93	7078-902735-000	CHIP RES. 1/16W 27Kohm+/-5% 0603 HK		3R	7		2 EA	70810	

Effect date:20080903 Printed Date: 20080903 Printed Time: 09:59:53

Level	BUB	Seq	Document no: Item no:	Rev: _____ Description	Approved By: _____	CI	Tp	QP	UM	RevD	Ecn+L
				R103.R317.							
5-----	94	94	7078-903335-000	CHIP RES. 1/16W 33Kohm+/-5% 0603 HK		3R	7		3 EA	70810	
				R404.R407.R907.							
5-----	95	95	7078-903355-000	CHIP RES. 1/16W 3.3Mohm+/-5% 0603 HK		3R	7		1 EA	70810	
				R142.							
5-----	96	96	7078-903915-000	CHIP RES. 1/16W 390ohm+/-5% 0603 HK		3R	7		1 EA	70810	
				R156.							
5-----	97	97	7078-903925-000	CHIP RES. 1/16W 3.9Kohm+/-5% 0603 HK		3R	7		1 EA	70810	
				R302.							
5-----	98	98	7078-903935-000	CHIP RES. 1/16W 39Kohm+/-5% 0603 HK		3R	7		3 EA	70810	
				R306.R416.R905.							
5-----	99	146	7078-904715-000	CHIP RES. 1/16W 470ohm+/-5% 0603 HK		3R	7		3 EA	80627	ECE080 H510/512/080627
				R180.R165.R832.							
5-----	100	162	7078-904705-000	CHIP RES. 1/16W 47ohm+/-5% 0603 HK		3R	7		3 EA	80714	ECE080 H510/512/080714
				R184.R310.R705.							
5-----	101	101	7078-904725-000	CHIP RES. 1/16W 4.7Kohm+/-5% 0603 HK		3R	7		5 EA	70810	
				R406.R431.R704.R719.R304.							
5-----	102	176	7078-904735-000	CHIP RES. 1/16W 47Kohm+/-5% 0603 HK		3R	7		35 EA	80714	ECE080 H510/512/080714
				R145.R174.R176.R192.R300.R303.R409.R411.R415.R802.R803.R804.							
				R805.R806.R807.R812.R813.R814.R821.R822.R823.R824.R825.R826.							
				R827.R828.R829.R830.R836.R837.R838.R906.R172.R815.R816.							
5-----	103	103	7078-904745-000	CHIP RES. 1/16W 470Kohm+/-5% 0603 HK		3R	7		4 EA	70810	
				R154.R931.R933.R430.							
5-----	104	104	7078-905625-000	CHIP RES. 1/16W 5.6Kohm+/-5% 0603 HK		3R	7		1 EA	70810	
				R408.							
5-----	105	105	7078-905635-000	CHIP RES. 1/16W 56Kohm+/-5% 0603 HK		3R	7		1 EA	70810	
				R313.							
5-----	106	172	7078-906825-000	CHIP RES. 1/16W 6.8Kohm+/-5% 0603 HK		3R	7		3 EA	80714	ECE080 H510/512/080714
				R152.R316.R441.							
5-----	107	107	7078-908225-000	CHIP RES. 1/16W 8.2Kohm+/-5% 0603 HK		3R	7		3 EA	70810	
				R711.R712.R166.							
5-----	108	108	7078-908235-000	CHIP RES. 1/16W 82Kohm+/-5% 0603 HK		3R	7		1 EA	70810	
				R173.							
5-----	110	110	7078-909135-000	CHIP RES. 1/16W 91Kohm+/-5% 0603 HK		3R	7		1 EA	70810	
				R904.							
5-----	111	111	5522-600229-000	CHIP INDUCTOR 2.2UH 1608 SDFL1608P2R2KT SUNLORD Pb-Free		3N	7		2 EA	70810	
				L302.L703.							
5-----	112	112	5522-000472-000	CHIP INDUCTOR CERAMIC 4.7UH SDFL1608Q4R7KT SUNLORD		3N	7		3 EA	70810	

Effect date:20080903 Printed Date: 20080903 Printed Time: 09:59:53

Level	BUB	Seq	Document no: Item no:	Rev: _____ Description	Approved By: _____	Cl	Tp	QP	UM	RevD	Ecn+L
				L702.L706.L708.							
5-----	113	113	8502-924000-003	WAFER SMD 6PIN 1.25MM PICH FINE J201.		3W	7		1 EA	70810	
5-----	114	114	5523-000102-000	CHIP INDUCTOR 1.0UH 0805 SDWL20121ROJ 1UH SUNLORD L106.		3N	7		1 EA	70810	
5-----	115	115	5523-000271-000	CHIP INDUCTOR 270NH 0805 SDWL2012CR27J 270NH SUNLORD L103.L104.L105.		3N	7		3 EA	70810	
5-----	121	121	8066-212022-003	CHIP C.CAP 12PF +/-5% 0603 0603CG120J9BB PHILIPS Pb-Free C119.		3C	7		1 EA	71012	
5-----	122	167	7078-903325-000	CHIP RES. 1/16W 3.3Kohm+/-5% 0603 HK R161.R314.R951.		3R	7		3 EA	80714	ECE080 H510/512/080714
5-----	123	123	8066-212122-003	CHIP .CAP 120PF +/-5% 0603 50V PHILIPS C314.C802.		3C	7		2 EA	71012	
5-----	127	127	5233-050200-000	IC LDO(5V) XC6201P502MR TOREX IC901.		3I	7		1 EA	71012	
5-----	129	129	8066-256122-003	CHIP C.CAP 560PF +/-5% 0603 0603CG561J9BB PHILIPS Pb-Free C131.		3C	7		1 EA	71130	
5-----	130	130	7078-901065-000	CHIP RES. 1/16W 10Mohm+/-5% 0603 HK R147.		3R	7		1 EA	71130	
5-----	132	154	7078-903345-000	CHIP RES. 1/16W 330Kohm+/-5% 0603 HK R936.		3R	7		1 EA	80627	ECE080 H510/512/080627
5-----	133	133	5523-000821-000	CHIP INDUCTOR 0.82UH 0805 SDWL2012CR82K SUNLORD L102.		3N	7		1 EA	71130	
5-----	134	134	6580-000330-000	SMAB33L Schottky Barrier Type Diode (SMA Type), KEC D900.		3D	7		1 EA	71206	
5-----	135	177	8066-207062-003	CHIP C.CAP 7PF +/-0.25PF 0603 0603CG070C9BB PHILIPS Pb-Free C113.		3C	7		1 EA	80714	ECE080 H510/512/080714
5-----	138	138	8066-222022-003	CHIP C.CAP 22PF +/-5% 0603 0603CG220J9BB PHILIPS Pb-Free C130.		3C	7		1 EA	80219	
5-----	140	140	8066-222122-003	CHIP C.CAP 220PF +/-5% 0603 0603CG221J9BB PHILIPS Pb-Free C406.		3C	7		1 EA	80219	
5-----	142	174	8066-205062-003	CHIP C.CAP 5PF +/-0.25PF 0603 0603CG050C9BB PHILIPS Pb-Free C701.		3C	7		1 EA	80714	ECE080 H510/512/080714
5-----	143	143	7078-903945-000	CHIP RES. 1/16W 390Kohm+/-5% 0603 HK R934.		3R	7		1 EA	80414	
5-----	144	147	7078-908215-000	CHIP RES. 1/16W 820ohm+/-5% 0603 HK R902.		3R	7		1 EA	80627	ECE080 H510/512/080627
5-----	145	155	7078-906845-000	CHIP RES. 1/16W 680Kohm+/-5% 0603 HK		3R	7		1 EA	80627	ECE080 H510/512/080627

Effect date:20080903 Printed Date: 20080903 Printed Time: 09:59:53

Level	BUB	Seq	Document no: Item no:	Rev: _____ Description	Approved By: _____	Cl	Tp	QP	UM	RevD	Ecn+L
				R423.							
5-----	156	161	8063-210434-003	CHIP C.CAP 0.1UF +/-10% 0603 06032R104K7BB PHILIPS Pb-Free C905.		3C	7		1 EA	80714	ECE080 H510/512/080714
5-----	157	175	8066-203062-003	CHIP C.CAP 3PF +/-0.25PF 0603 0603CG030C9BB PHILIPS Pb-Free C324.		3C	7		1 EA	80714	ECE080 H510/512/080714
4-----	1	1	5234-919300-000	IC CPU JT5BU8-****/FLASH NO. JT5BL9 (TOSHIBA) IC801.		3I	7		1 EA	70810	
3-----	2	2	8053-047601-800	ELECT 47UF/16V 5*7.5 KOSHIN C206.		3C	7		1 EA	70810	
3-----	3	3	8053-010701-010	ELECT CAPACITOR 100UF Pb-Free KR3-16V101MA 5*11 C208.C432.		3C	7		2 EA	70810	
3-----	4	4	8053-047701-010	ELEC CAP470UF/16V 8*12 KOSHION C900.		3C	7		1 EA	70810	
3-----	5	5	5540-064740-000	5MM CAN COIL 6474 FINE L109.		3N	7		1 EA	70810	
3-----	6	6	5540-003670-000	5MM IFT 0367 FINE Pb-Free L301.		3N	7		1 EA	70810	
3-----	7	7	5540-084450-000	5MM IFT 8445 FINE Pb-Free L701.		3N	7		1 EA	70810	
3-----	8	8	5540-003120-000	5MM CAN COIL 0312 FINE L112.		3N	7		1 EA	70810	
3-----	9	9	5540-003340-000	5MM IFT 0334 FINE Pb-Free L108.		3N	7		1 EA	70810	
3-----	10	10	5540-009490-000	5MM CAN COIL 0949 FINE L107.		3N	7		1 EA	70810	
3-----	11	11	6550-102042-000	LED 204HD(REDF) (DIP TYPE) HUALIGHT D831.		3D	7		1 EA	70810	
3-----	12	12	9500-745006-000	MIC F9745AP342-34 Pb-Free MIC951.		3S	7		1 EA	70810	
3-----	13	13	8302-010240-001	CRYSTAL 10.240MHZ HC-49/S, -30ppm CL:32PF YOKETAN X101.		3F	7		1 EA	70810	
3-----	14	14	8302-041940-800	CRYSTAL 4.194303MHZ HC-49/S, SL:20PF YOKETAN X801.		3F	7		1 EA	70810	
3-----	15	15	8302-045040-002	CRYSTAL 4.5MHZ HC-49/S,CL:12PF -30ppm YOKETAN X301.		3F	7		1 EA	70810	
3-----	16	16	8303-010650-001	X-TAL FILTER 10L08A 10.695MHz, +/-3.75KHz YOKETAN XF101.		3F	7		1 EA	70810	
3-----	17	17	8304-045500-017	FILTER CERAMIC LTW33-455HT CQ		3F	7		1 EA	70810	

Effect date:20080903 Printed Date: 20080903 Printed Time: 09:59:53

Level	BUB	Seq	Document no: Item no:	Rev: _____ Description	Approved By: _____	CI	TP	QP	UM	RevD	Ecn+L
				CF101.							
3-----	18		18 6590-040040-000	DIODE 1N4004 DIP Pb-Free		3D	7		1 EA	70810	
				D901.							
3-----	19		19 6590-100600-000	DIP DIODE 1N60 PYUNGCHANG		3D	7		1 EA	70810	
				D161.							
3-----	20		20 8931-909115-000	VOLUME SWITCH F-09115S-15 A10K L15FCX7(L) POLYSHINE		3J	7		2 EA	70810	
				VR101.VR102.							
3-----	21		21 8931-912222-000	SLIDE SWITCH SS-12D22-G2 WEALTH METAL		3J	7		1 EA	70810	
				SW901.							
3-----	22		22 8502-924000-002	WAFER 2PIN 2MM PICH FINE		3W	7		1 EA	70810	
				J901.							
3-----	23		23 8507-924000-001	2PIN CABLE ASS'Y (BLK 110MM, RED 150MM) FINE		3W	7		1 EA	70810	
3-----	27		27 8096-022022-000	DIP DISK 22PF 50V NPO +/-5%		3C	7		1 EA	80219	
				C736.							
3-----	28		28 9900-002000-000	JUMPER WIRE of Antenna spte Dia 0.8mm		3W	7		1 EA	80418	
3-----	29		29 5555-554520-000	CORE SPRING 5.5T*0.45*2.3R M5E 0.17UH FINE		3N	7		1 EA	80507	
				L704.							
3-----	30		30 9103-125001-000	SMD JACK:JY-3560-01-250 (WELL LONG)/(JT) Pb-Free		3J	7		1 EA	80507	
				JAC201.							
3-----	32		32 5555-054070-100	SPRING COIL 0.5*4R*7T FINE		3N	7		1 EA	80507	
				L713.							
3-----	33		33 5555-054060-000	COIL SPRING 0.5*4.0*6T(R) FINE		3N	7		1 EA	80507	
				L712.							
3-----	34		34 5555-554523-100	SPRING COIL5.5T*0.45*2.3R FINE		3N	7		1 EA	80507	
				L705.							
3-----	35		35 5555-054010-100	SPRING COIL 0.5*4R*10T FINE		3N	7		1 EA	80507	
				L707.							
3-----	36		36 5555-054050-000	COIL SPRING 0.5*4.0*5T(R) FINE		3N	7		1 EA	80507	
				L711.							
3-----	37		37 5555-054090-100	SPRING COIL 0.5*4R*9T FINE		3N	7		1 EA	80507	
				L714.							
3-----	38		38 9900-003000-000	U Jumper wire Dia 0.5mm		3W	7		1 EA	80507	
3-----	39		39 3611-924000-000	VCO CAN SHIELD PLATE		2C	7		1 EA	80512	ECE080 EME080512-01
3-----	39		40 9103-060400-000	SMD JACK PJ-604 (GABOU)		3J	7		1 EA	80527	ECE080527-08 2
				JAC202.							
3-----	41		41 9900-016015-000	ENAMELED WIRE CU 1.5-16MM-1.5 DIA 0.2-0.25		3W	7		1 EA	80627	ECE080 H510/512/080627
2-----	1		1 9503-858003-000	SPEAKER 8ohm 1W DIA36 85+/-3dB ASAHI		3S	7		1 EA	70810	
				SPK201.							

Effect date:20080903 Printed Date: 20080903 Printed Time: 09:59:53

Level	BUB	Seq	Document no: Item no:	Rev: _____ Description	Approved By: _____	Cl	Tp	QP	UM	RevD	Ecn+L
2-----	2	2	8507-924000-000	ANT CONNECTOR BNC J701.		3W	7		1 EA	70810	
2-----	3	3	8502-924000-000	CONNECTOR 6P 2MM PICH 70MM 5PSAN/6P 1.25MM 28# FINE J801.		3W	7		1 EA	70810	
2-----	4	4	9990-105020-000	LEAD WIRE BLK 2-50MM-2 AWG#30/1571 SPK-.		3W	7		1 EA	70810	
2-----	5	5	9992-105020-000	LEAD WIRE RED 2-50MM-2 AWG#30/1571 SPK+.		3W	7		1 EA	70810	
2-----	6	6	8502-924000-001	COAXIAL CABLE		3W	7		1 EA	70810	
2-----	7	7	9601-995202-000	METAL DOME 1 POINT (8*8mm) REV#02 (Korea) SW801.		1L	7		1 EA	70810	
2-----	9	9	8700-984701-000	LCD SDM8A4701A 12PINS SANTECH		3L	7		1 EA	70810	
2-----	10	10	0310-924000-000	WINDOW LENS W/SILK		8A	1		1 EA	80129	
3-----	1	1	3700-924000-000	WINDOW LENS,PMMA		1L	1		1 EA	80418	
4-----	1	1	4805-060001-000	PMMA CM-211(CHIMEI) RoHS		RM	8	0,005	KG	80418	
2-----	11	11	0310-924000-001	FRONT CASE,W/SILK		8A	1		1 EA	80129	
3-----	1	1	3701-924000-000	FRONT CASE,ABS H512 plus		1L	1		1 EA	80418	
4-----	1	1	4805-010001-000	ABS(PA-757 CHIMEI) RoHS		RM	8	0,0029	KG	80418	
4-----	2	2	4806-000001-000	PIGMENT BLACK 2014 RoHS		RM	8		1 PK	80527	
2-----	12	12	3300-924000-000	RUBBER KEY-1,RUBBER FOR H512		1L	7		1 EA	80129	
2-----	13	13	3301-924000-000	RUBBER KEY-2,RUBBER up & down key		1L	7		1 EA	80129	
2-----	14	44	1110-014124-000	SCREW PH T2.6*12 BLACK		2S	7		2 EA	80418	
2-----	14	14	3600-924000-000	CHARGE-TERMINAL,STEEL		2C	7		5 EA	80129	
2-----	15	15	3601-924000-000	METAL BRACKET,STEEL		2C	7		1 EA	80129	
2-----	16	16	3702-924000-000	BATTERY holder H512,ABS		1L	1		1 EA	80129	
3-----	1	1	4805-010001-000	ABS(PA-757 CHIMEI) RoHS		RM	8	0,0077	KG	80418	
3-----	2	2	4806-000001-000	PIGMENT BLACK 2014 RoHS		RM	8		1 PK	80527	
2-----	17	17	3703-924000-000	BACK CASE,ABS		1L	1		1 EA	80129	
3-----	1	1	4805-010001-000	ABS(PA-757 CHIMEI) RoHS		RM	8	0,031	KG	80418	
3-----	2	2	1911-025030-000	NUT 2.5*3.0 BRASS		2S	7		3 EA	80418	
3-----	3	3	4806-000001-000	PIGMENT BLACK 2014 RoHS		RM	8		1 PK	80527	
2-----	18	46	3602-924000-000	BATTERY CONTACT PLATE(-,+), COPPER		2C	7		1 EA	80520	ECM080520-07 1
2-----	19	19	3603-924000-000	BATTERY "-" NI-PLATE,COPPER		2C	7		1 EA	80129	
2-----	20	20	3704-924000-000	BATTERY cover H512,ABS		1L	1		1 EA	80129	
3-----	1	1	4805-010001-000	ABS(PA-757 CHIMEI) RoHS		RM	8	0,0112	KG	80418	
3-----	2	2	4806-000001-000	PIGMENT BLACK 2014 RoHS		RM	8		1 PK	80527	
2-----	21	21	3604-924000-000	BELT CLIP,STEEL		2C	7		1 EA	80129	
2-----	22	22	3302-924000-000	JACK COVER,RUBBER spk mic		1L	7		1 EA	80129	

Effect date:20080903 Printed Date: 20080903 Printed Time: 09:59:53

		Document no:	Rev: _____	Approved By: _____						
Level	BUB	Seq	Item no:	Description	Cl	Tp	QP	UM	RevD	Ecn+L
2-----	23	23	3303-924000-000	PTT CAP,RUBBER	1L	7		1 EA	80129	
2-----	24	24	3605-924000-000	BATTERY "+" NI-PLATE,COPPER	2C	7		1 EA	80129	
2-----	25	47	3606-924000-000	BATTERY CONTACT PLATE(+,-) COPPER	2C	7		1 EA	80520	ECM080520-07 2
2-----	26	26	1110-013064-000	SCREW (PH) 2.3*6 BLACK	2S	7		3 EA	80129	
2-----	27	27	5600-924000-000	ANTENNA	3W	7		1 EA	80129	
2-----	29	40	2702-992000-000	D-SPRING,SK-5	2T	7		2 EA	80227	
2-----	30	30	3706-924000-000	TOP COVER ABS	1L	1		1 EA	80129	
3-----	1	1	4805-010001-000	ABS(PA-757 CHIMEI) RoHS	RM	8	0,0035	KG	80418	
3-----	2	2	4806-000001-000	PIGMENT BLACK 2014 RoHS	RM	8		1 PK	80527	
2-----	31	31	3707-924000-000	VOLUME KNOB	1L	1		2 EA	80129	
3-----	1	1	4805-010001-000	ABS(PA-757 CHIMEI) RoHS	RM	8	0,002	KG	80418	
2-----	32	32	3607-924000-000	LCD BRACKET STEEL	2C	1		1 EA	80129	
2-----	33	33	8503-924000-000	LCD ZEBRA 15*4.4*1.2	3W	7		1 EA	80129	
2-----	34	34	3708-924000-000	LCD DIFFUSER,PMMA	1L	1		1 EA	80129	
3-----	1	1	4805-060001-000	PMMA CM-211(CHIMEI) RoHS	RM	8	0,0041	KG	80418	
2-----	35	35	1000-924000-000	REFLECTIVE SHEET PE 0.1T WHITE	2O	7		1 EA	80129	
2-----	36	36	1002-923400-000	FELT ,DIA34.0*0.1T BLACK	2O	7		1 EA	80129	
2-----	37	37	3608-924000-000	SHIELD-1 STEEL	2C	7		1 EA	80129	
2-----	38	38	3609-924000-000	SHIELD-2 STEEL	2C	7		1 EA	80129	
2-----	39	39	3610-924000-000	SHIELD-3 ALLOYS OF ALUMINIUM	2C	7		1 EA	80129	
2-----	41	41	0190-208318-000	Lcd window tape20.8*31.8*0.1MM	4S	7		1 EA	80416	
2-----	42	42	1210-009044-000	Screw M2.5x4 FOR BELT CILP	2S	7		2 EA	80418	
2-----	43	43	1210-004183-000	Screw PB2.6x18	2S	7		2 EA	80418	
2-----	45	45	1210-002043-000	SCREW M2.0x4 for pcb and metal bracket	2S	7		5 EA	80418	
2-----	46	48	0098-100631-000	EVA SPONGE (DIA 15MM*1.5MM)	1O	7		1 EA	80724	ECM08C EMM080724-01

Part Number 090240-00 Report is finished

The BOM Multilevel Report is finished .