

DATE 4.27.92

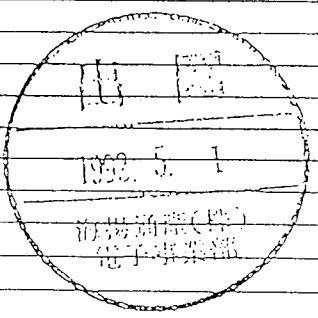
MODEL NS-2000 FM

PARTS LIST

NO. 11-1

NO	PART NAME	DESCRIPTION	Q'TY	REMARKS
	P C B Main	XPC,132 X 150 X 1.6	1	NS 2000 AF-O M
	P C B Front	XPC,132 X 31.5 X 1.6	1	NS 2000 AF-O F
	I C	5121-00	1	IC 301
		KIA 6003S	1	IC 202
		KIA 7217	1	IC 201
		78S05	1	IC 401
		DBL 1016	1	IC 150
	Transistor	A200 (Y)	1	Q 502
		A1276 (Y) or 473(Y)	1	Q 503
		A1267 (Y)	4	Q 203, 204, 205, 504
		A1267 (Y)	3	Q 505, 506, 508
		C2078 (E)	1	Q 401
		C2314 (D)	1	Q 402
		C3192 (Y)	2	Q 403, 409
		C3195 (Y)	4	Q 101, 102, 103, 301
		C3195 (Y)	1	Q 404
		C3199 (O)	2	Q 104, 105
		C3199 (GR)	4	Q 201, 202, 206, 330
		C3199 (GR)	4	Q 110, 501, 507, 510
			2	Q 160, 161

C H A N G E D					



MODEL NS-2000 FM

PARTS LIST

NO. 11-2

NO	PART NAME	DESCRIPTION	Q'TY	REMARKS		
	Diode	IN 4148	4	D 101, 102, 105, 201		
			4	D 202, 203, 204, 401		
			4	D 506, 508, 514, 160		
			2	D 150, 160		
		IN 4001	2	D 501, 507		
		IN 60	3	D 103, 151, 205		
		SVC 251Y	2	D 301, 330		
		Zener 4.7V	1	D 503		
		Zener 5.6V	1	D 502		
		Zener 9.1V	1	D 505		
	L.E.D	AL-225RD	3	TX, D154, 155		
		AL-225GD	2	RX, D153		
		AL-225YD	1	D 152		
	Tact S.W	KPT-1108	2	SW 301, 302		
	Push S.W	KPA 2203	2	CH9, SCAN		
	MIC CON		1	J 201		
	PHONE Jack	JW 350P	1	J 202		
	ANT Connector	CH-239(A)	1	J 401(RCA Jack)		
	Power Cord (DC)	with FUSE (125/2)	1			
	Display	AL-R241(4")	1	Display		
C H A N G E D						

DATE 4.27.92

MODEL NS-2000 FM

PARTS LIST

NO. 11-3

NO	PART NAME	DESCRIPTION	Q'TY	REMARKS
	Specker	8 ohm 1W	1	
		(PS-663-A02'6)		
	Crystal	10.240 MHz	1	X 301
	M.C.F	10.695 MHz	1	CF 101
	Ceramic Filter	455 KHz(LF-HGSC)	1	CF 102
	Transformer	19mm	1	L 502
	Spying Coil	0.8W X 8 1/2 X 6 ϕ	2	L 401, 403
		0.8W X 7 1/2 X 6 ϕ	1	L 402
		0.5W X 13 X 4.9 ϕ	1	L 405
		0.8W X 5 1/2 X 6.5 ϕ T	1	L 408
		0.6W X 28 1/2 X 4.6 ϕ T	1	L 501
	Loading Coil	0.5W X 15 X 3.6 ϕ	1	L 409
	Tank Coil	0.5W X 6 1/2 X 10	1	L 404
	I.F.T	ST 401	1	T 101
		ST 402	2	T 102, 103
		ST 403	1	T 104
		ST 404	1	T 105
		ST 405	1	T 106
		ST 407	1	T 301
		ST 408	1	T 403

CHANGED

CHANGED

DATE 4.27.92

MODEL NS-2000 FM		PARTS LIST		NO.11-4	
NO	PART NAME	DESCRIPTION	Q'TY	REMARKS	
	I.F.T	ST 409	1	T 402	
		ST 410	1	T 401	
		ST 111A	1	T 201	
	Inductor (Axial)	22 μ H 3 ϕ	2	L 102,504	
		6.8 μ H 3 ϕ	2	L 101,407	
		2.2 μ H 3 ϕ	1	L 410	
	4Pin Connector Assy	4Pin-50-3 (AW26)	1	MIC-1	
	VINYL WIRE	5-70-5 (RE)	1		
		5-70-5 (OR)	1		
		5-70-5 (GR)	1		
		5-160-3 (RE)	1		
		5-160-3 (BW)	1		
	Metal Jump Wire				
	(Total:26)				
	Sloder (pb)				
C					
H					
A					
N					
E					
D					

海揚通産株式会社

MODEL		PARTS LIST			NO. 11-5	
NO	PART NAME	DESCRIPTION	Q'TY	REMARKS		
	Resistor V.R	50KA	1	VR 204		
	V.R	10KB	1	VR 203		
	Semi V.R	3K	1	VR 201		
	Semi V.R	10K	1	VR 202		
	Resistor 2Watt	10 ohm	1	R 232		
	1/2Watt	10 ohm	1	R 402		
		15 ohm	1	R 513		
	1/4Watt	10 Kohm	1	R 401		
	1/16Watt	100 Kohm	4	R 105,121,114,407		
		100 ohm	4	R 408,504,518,530		
		100 ohm	1	R 231		
		1 Kohm	4	R 111,119,201,301		
		1 Kohm	2	R 161,405		
		10 Kohm	4	R 215,218,221,229		
		10 Kohm	4	R 233,243,309,331		
		10 Kohm	4	R 405,412,502,507		
		10 Kohm	4	R 515,531,150,152		
		10 Kohm	3	R 154,155,416		
		100 Kohm	4	R 118,123,235,302		
		100 Kohm	2	R 333,413		
		1.2 Kohm	1	R 222		
C H A N G E D						

DATE 4.27.92

MODEL

PARTS LIST

NO. 11-6

NO	PART NAME	DESCRIPTION	Q'TY	REMARKS		
	Resistor 1/16Watt	1 Kohm	1	R 131		
		12 ohm	1	R 107		
		150 ohm	3	R 315,308,310		
		150 ohm	4	R 311,312,313,314		
		1.8 Kohm	1	R 236		
		18 ohm	1	R 103		
		18 Kohm	2	R 132,306		
		180 Kohm	2	R 208,261		
		220 ohm	2	R 206,211		
		2.2 Kohm	4	R 117,223,214,411		
		2.2 Kohm	4	R 153,156,157,158		
		2.2 Kohm	1	R 159		
		22 Kohm	4	R 109,126,207,210		
		22 Kohm	4	R 160,228,234,304,		
		22 Kohm	2	R 305,149		
		2.7 Kohm	2	R 106,307		
		33 ohm	1	R 125		
		300 ohm	1	R 505		
		330 ohm	3	R 122,226,506		
		390 ohm	3	R 112,503 ,415		
C H A N G E D						

MODEL

PARTS LIST

NO. 11-7

NO	PART NAME	DESCRIPTION	Q'TY	REMARKS
	Resistor 1/16Watt	3.9 Kohm	1	R 113
		39 Kohm	1	R 151
		4.7 ohm	1	R 403
		47 ohm	4	R 124,130,225,303
		47 ohm	1	R 410
		470 ohm	3	R 110,115,520
		4.7 Kohm	4	R 202,204,212,220
		4.7 Kohm	3	R 330,508,516
		47 Kohm	4	R 127,341,418,108
		560 ohm	1	R 510
		5.6 Kohm	1	R 205
		68 ohm	1	R 404
		680 ohm	3	R 104,216,501
		68 Kohm	2	R 120,332
		82 ohm	1	R 224
		820 ohm	1	R 101
		8.2 Kohm	1	R 206
		82 Kohm	2	R 102,514
		820 Kohm	2	R 203,213
		8.2 ohm	10	R 450-461
		3.3 Kohm	1	R 417
C H A N G E D				

DATE 4.27.92

MODEL		PARTS LIST			NO. 11-8	
NO	PART NAME	DESCRIPTION	Q'TY	REMARKS		
	Resistor 1/16Watt	120K	1	R 162		
	VR	50KB	1	R 101 RF Gain		
	Semi VR	20KB	1	VR 151,152		
	Electro Capacitor	1 μ F 50V	2	C 154,202		
	(S M S Type)	10 μ F 50V	3	C 119,208,308		
			4	C 442,508,156,219		
		100 μ F 16V	1	C 118		
		1000 μ F 16V	1	C 229		
		220 μ F 16V	1	C 510		
		33 μ F 16V	3	C 215,227,513		
		0.22 μ F 50V	1	C 160		
		0.47 μ F 50V	2	C 122,220		
		4.7 μ F 50V	1	C 212		
		47 μ F 16V	4	C 207,210,221,238		
		470 μ F 16V	1	C 505		
	SY-BP(D)	0.22 μ F 35V	1	C 311		
	Mylar Capacitor	0.01 μ F	4	C 114,206,228,331		
		0.068 μ F	1	C 217		
		0.022 μ F	1	C 213		
		0.0022 μ F	1	C 214		
C H A N G E D						

DATE 4.27.92

MODEL NS-2000 FM

PARTS LIST

NO. 11-9

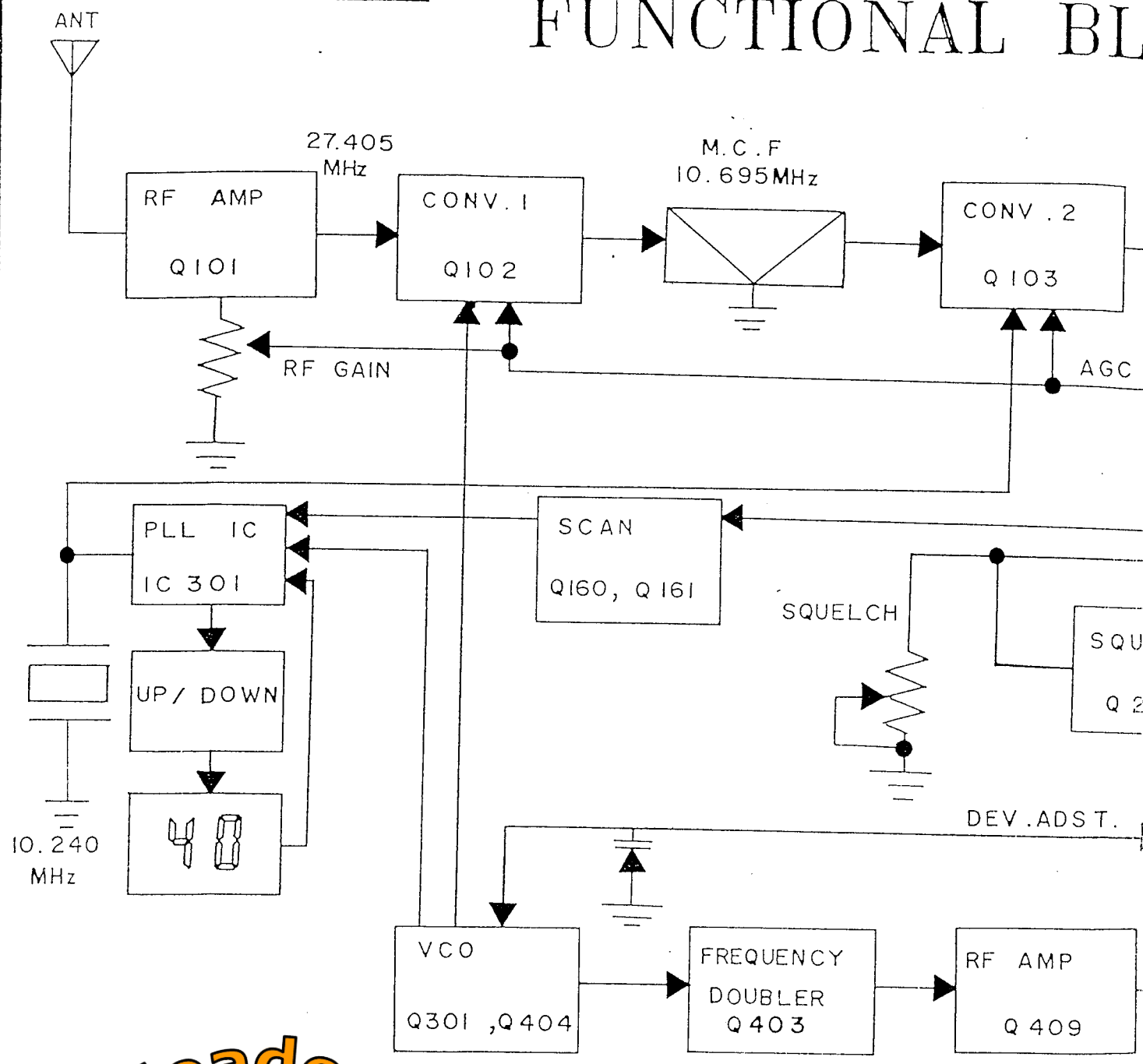
NO	PART NAME	DESCRIPTION	Q'TY	REMARKS
	Mylar Capacitor	0.047 μ F	1	C 310
		0.0047 μ F	3	C 225, 226, 332
	Trimmer Capacitor	30pF	1	TC 301
	Ceramic Capacitor	CH 1pF	1	C 153
		1.5pF	1	C 107
		18pF	1	C 222
		10pF	1	C 302
		4pF	1	C 423
		5pF	1	C 333
		8.2pF	1	C 108
		7pF	2	C 314, 316
		22pF	2	C 224, 301,
		22pF	2	C 407, 315
		27pF	2	C 101, 403
		33pF	1	C 304
		39pF	1	C 430
		47pF	2	C 103, 303
		68pF	2	C 313, 412
		100pF	2	C 415, 411
		120pF	3	C 306, 406, 409
C H A N G E D				


1A

1B

ABOVE	UNDER	F	G	H	J	K	L	M	N
UNDER	8	±0.05	±0.1	±0.1	±0.2	±0.2	±0.4	±1.0	
	8 TO 25	0.08	0.15	0.15	0.3	0.3	0.6	0.6	1.5
	25 TO 80	0.12	0.2	0.25	0.4	0.5	0.8	1.0	2.0
	80 TO 250	0.25	0.3	0.4	0.6	0.8	1.2	1.5	3.0
	250 TO 800	0.5	0.6	0.8	1.0	1.5	2.0	3.0	6.0
	800 TO 2500	1.0	1.0	1.5	1.7	3.0	4.0	6.0	12.0
	OVER 2500	2.0	2.0	3.0	3.0	6.0	8.0	12.0	24.0

FUNCTIONAL BL



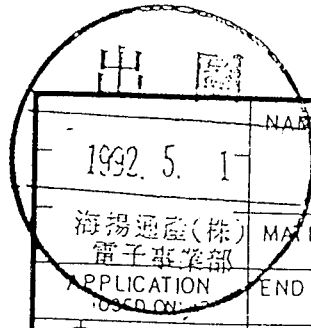
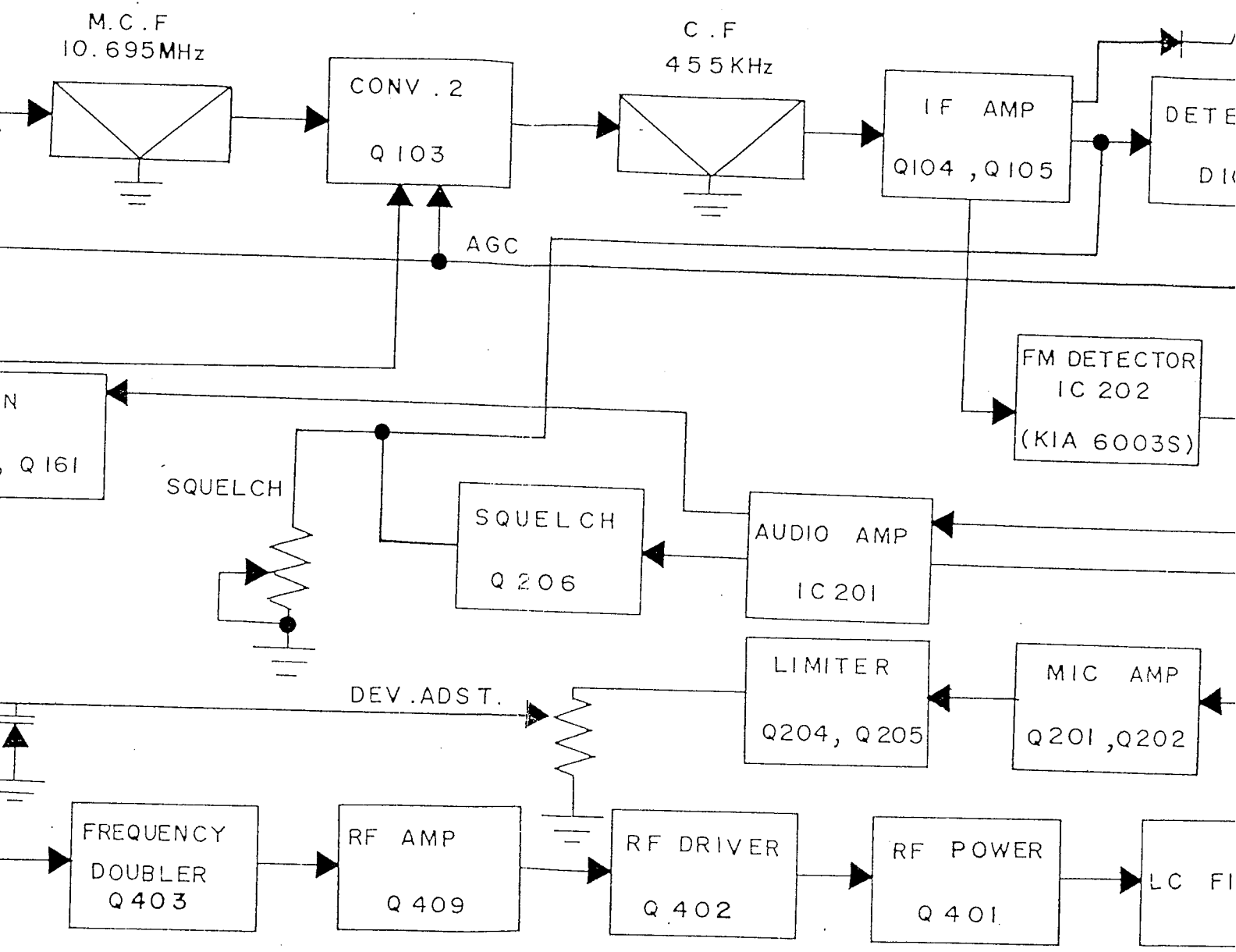
Downloaded from

www.cb-radio.nl

1B

IC

SYM	ZON
-----	-----

FUNCTIONAL BLOCK DIAGRAM

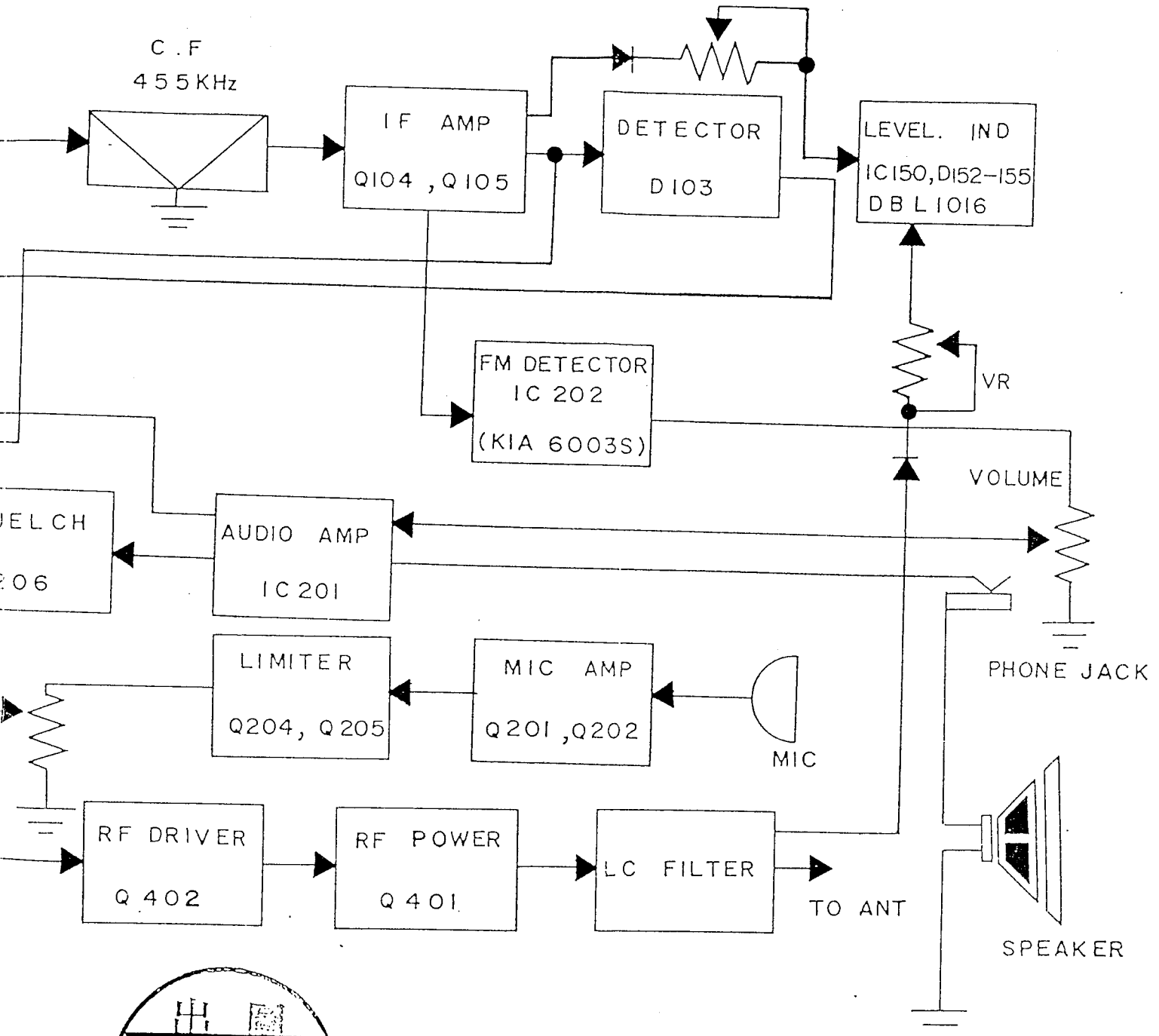


NAME OR TITLE		2000FM	
1992. 5. 1		MATERIAL	
海揚通産(株) 電子事業部		END FINISH	
APPLICATION OSCILLATOR	ALLOWANCE	Q'TY/SET	SCALE
DRAWN BY 0/27	DESIGN BY	CHECKED BY	APPROV
4.28. 1992	4.28. 1992	4.28. 1992	

IC

REVISIONS			
SYM	ZONE	DESCRIPTION	DATE
			10
			APPROVAL

BLOCK DIAGRAM

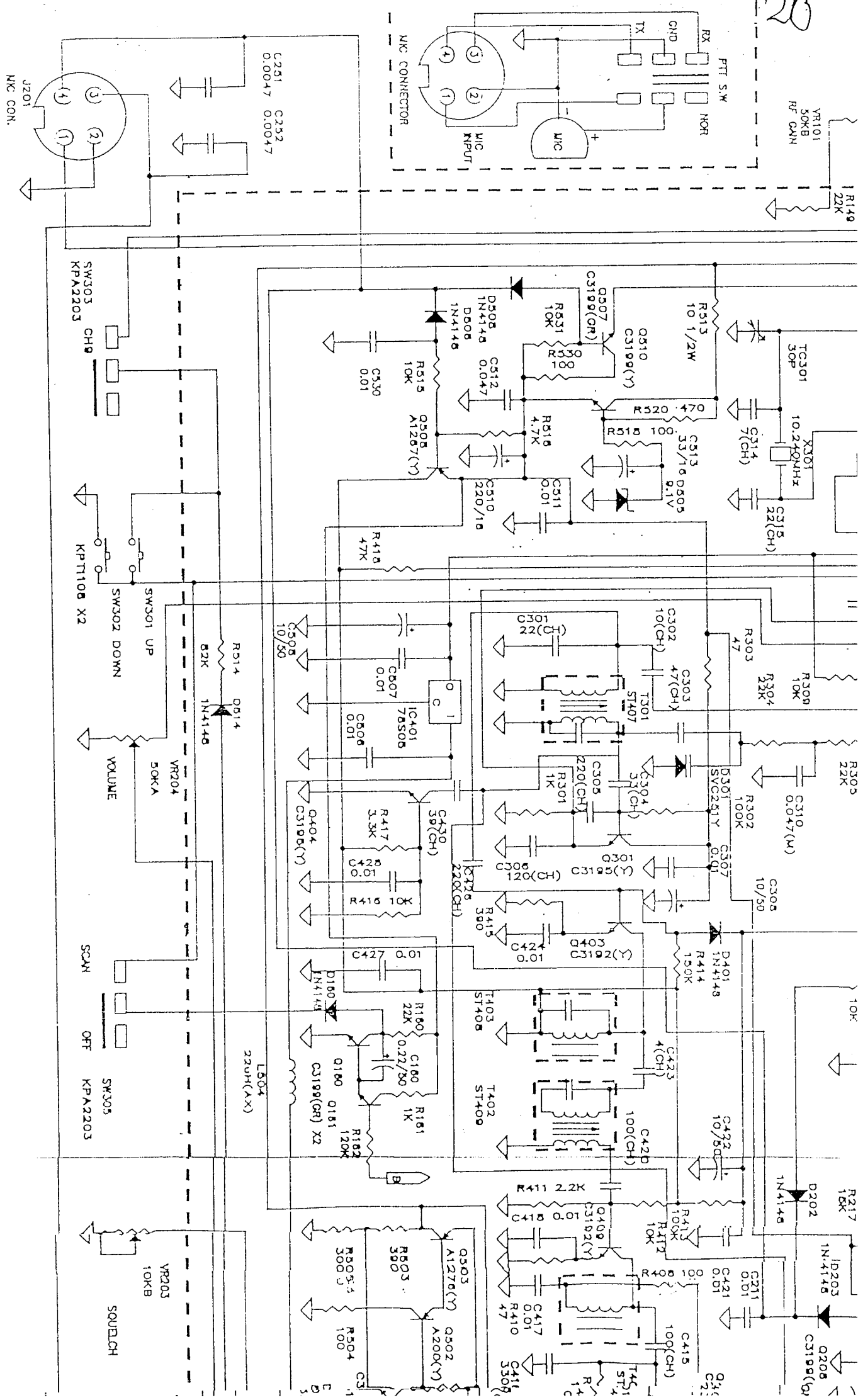


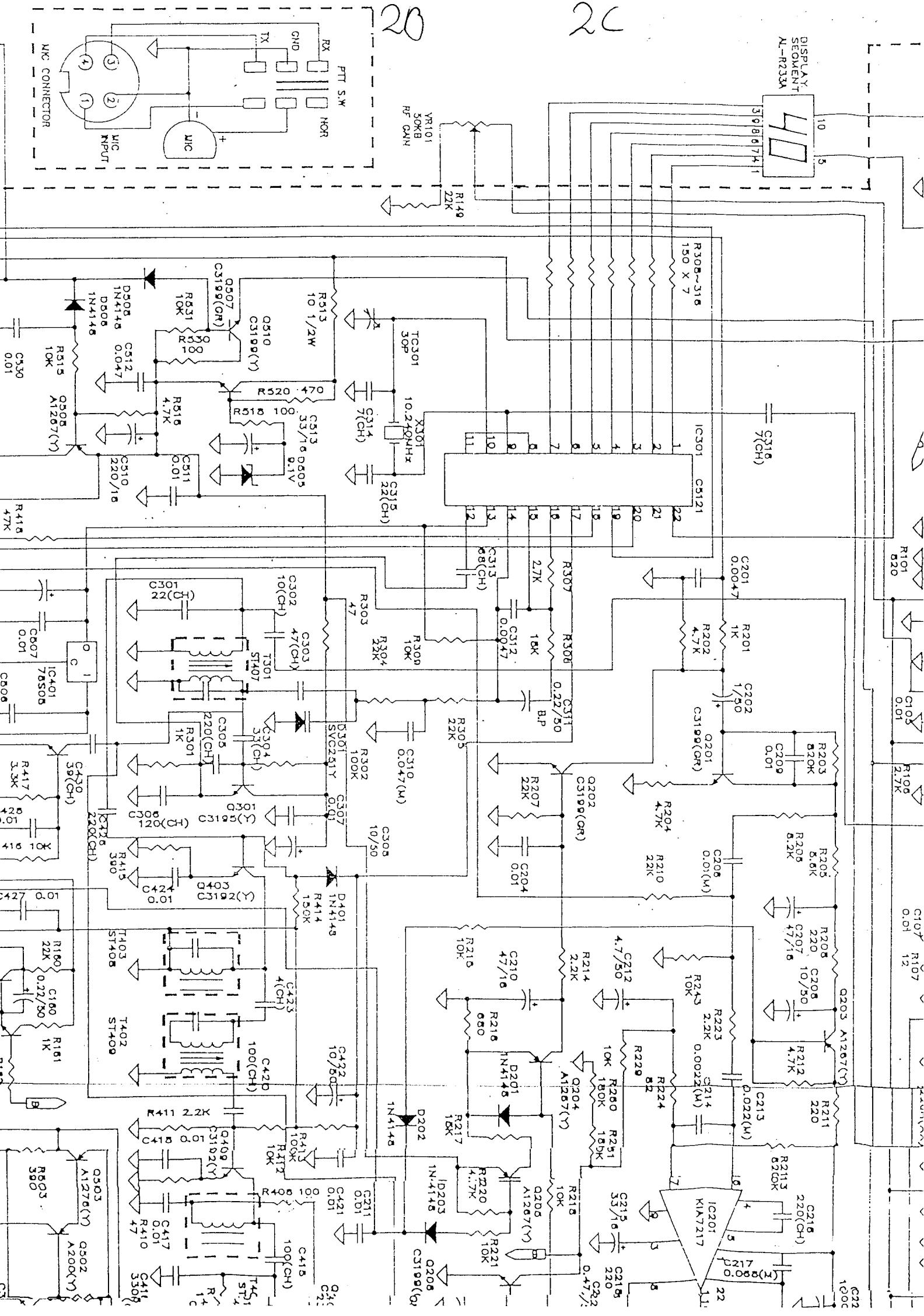
出 圖
1992. 5. 1

NAME OR TITLE		2000FM		MDB	
MATERIAL		FIRST MADE FOR			
APPLICATION		CONTRACT OR CUSTOMER NO.			
ALLOWANCE	Q'TY/SET	SCALE	DIMENSIONS ARE IN mm (inch)		
DO NOT SCALE THIS DRAWING					
DRAWN BY	DESIGN BY	CHECKED BY	PART NO.		
4.28. 1992			920428-02B		
DRAWING NO.					
4.28. 1992			19		

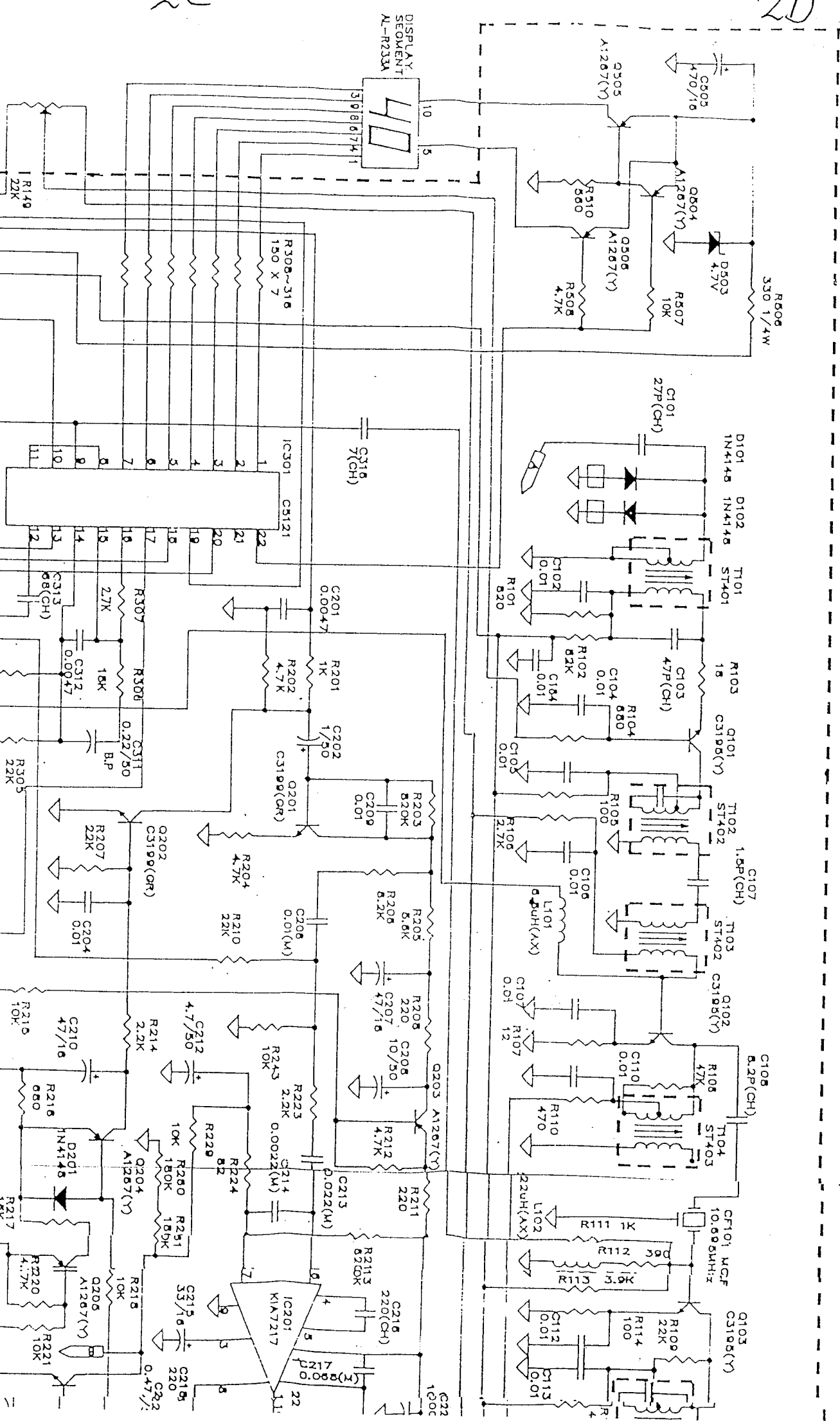
2A

20



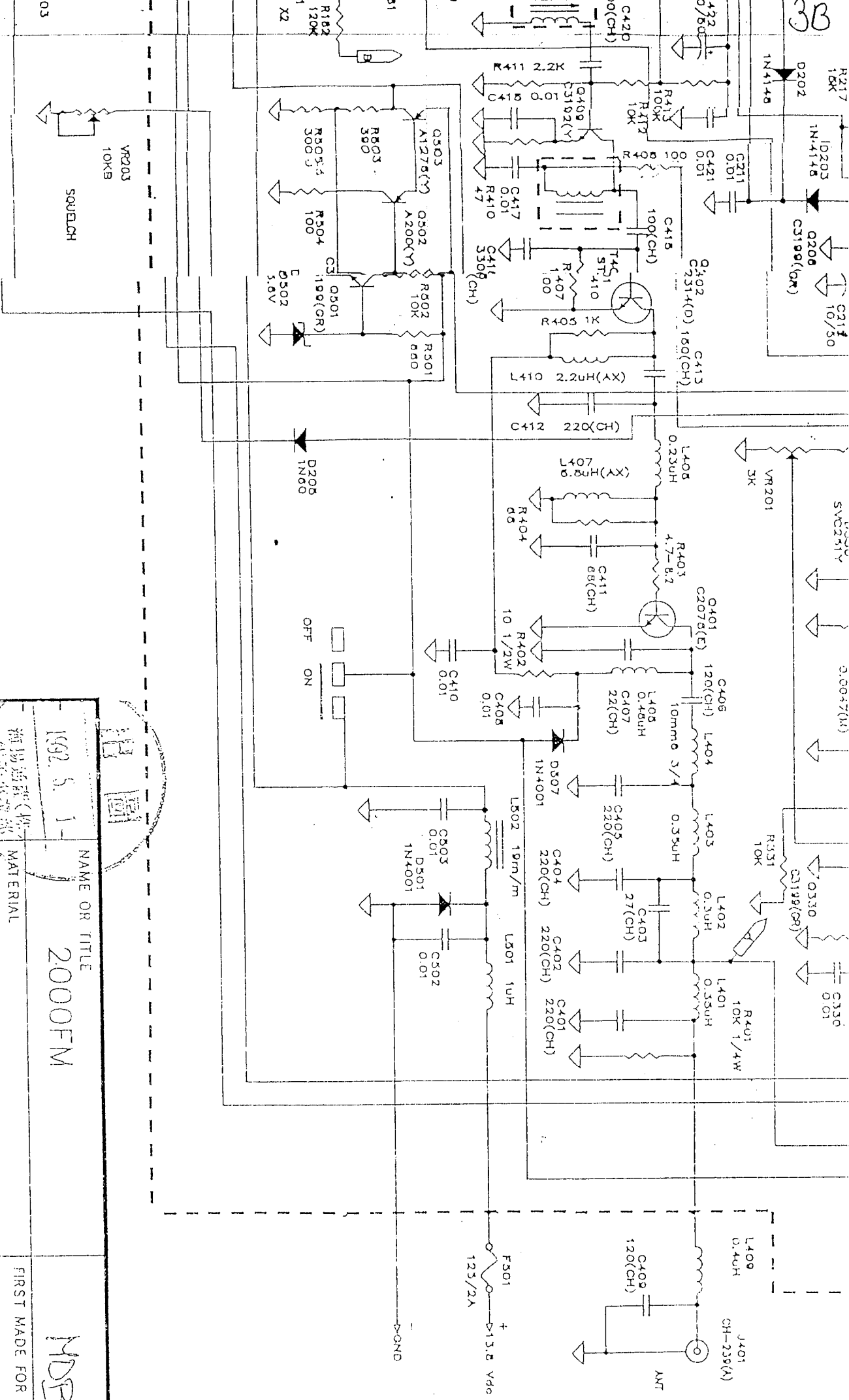


G	H	J	K	L	M	N
±0.1	±0.1	±0.2	±0.2	±0.4	±0.4	±1.0
0.15	0.15	0.3	0.3	0.6	0.6	1.5
0.2	0.25	0.4	0.5	0.8	1.0	2.0
0.3	0.4	0.6	0.8	1.2	1.5	3.0
0.6	0.9	1.0	1.5	2.0	3.0	6.0
1.0	1.5	1.7	3.0	4.0	6.0	12.0
2.0	3.0	3.0	6.0	8.0	12.0	24.0

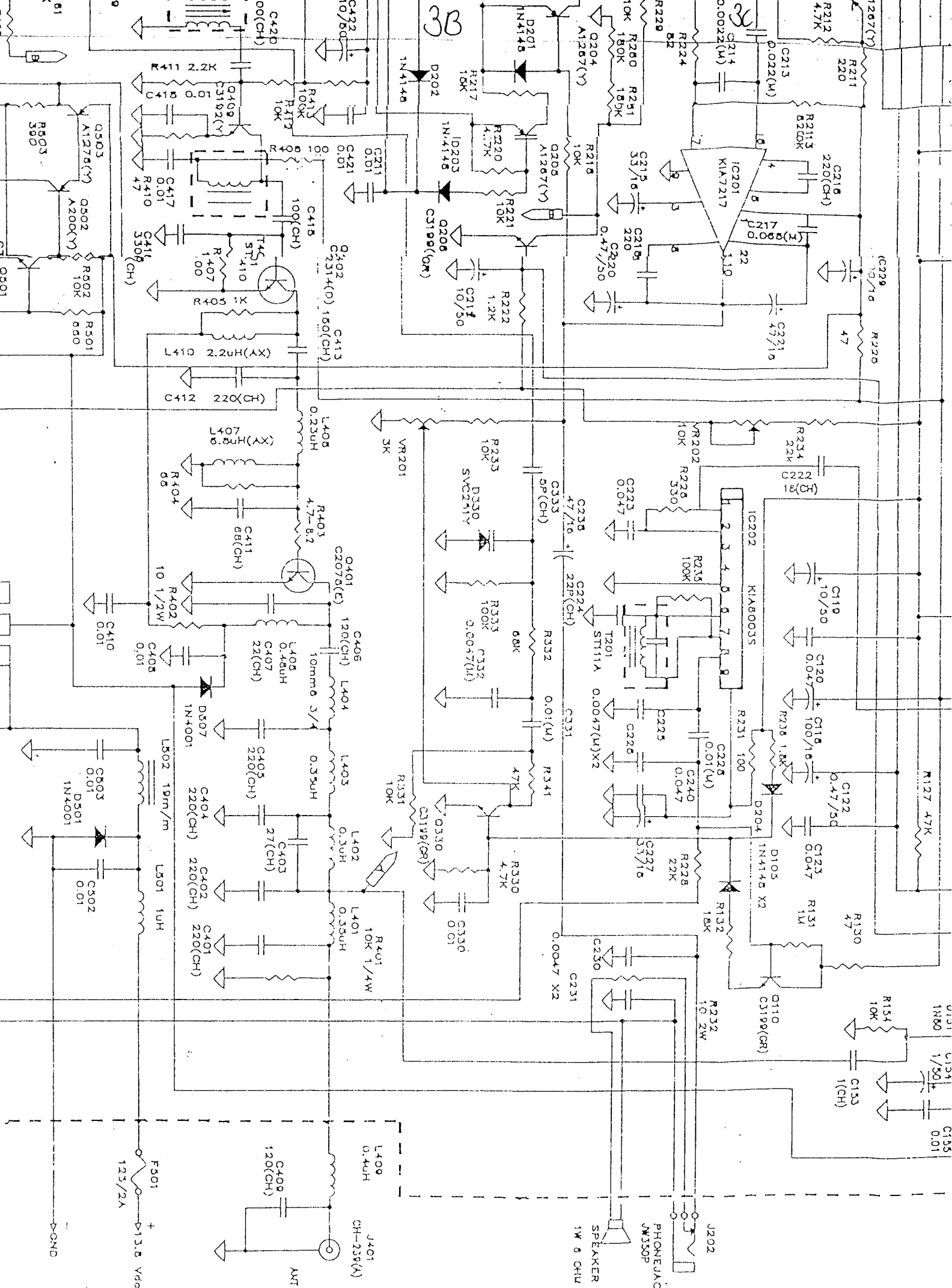


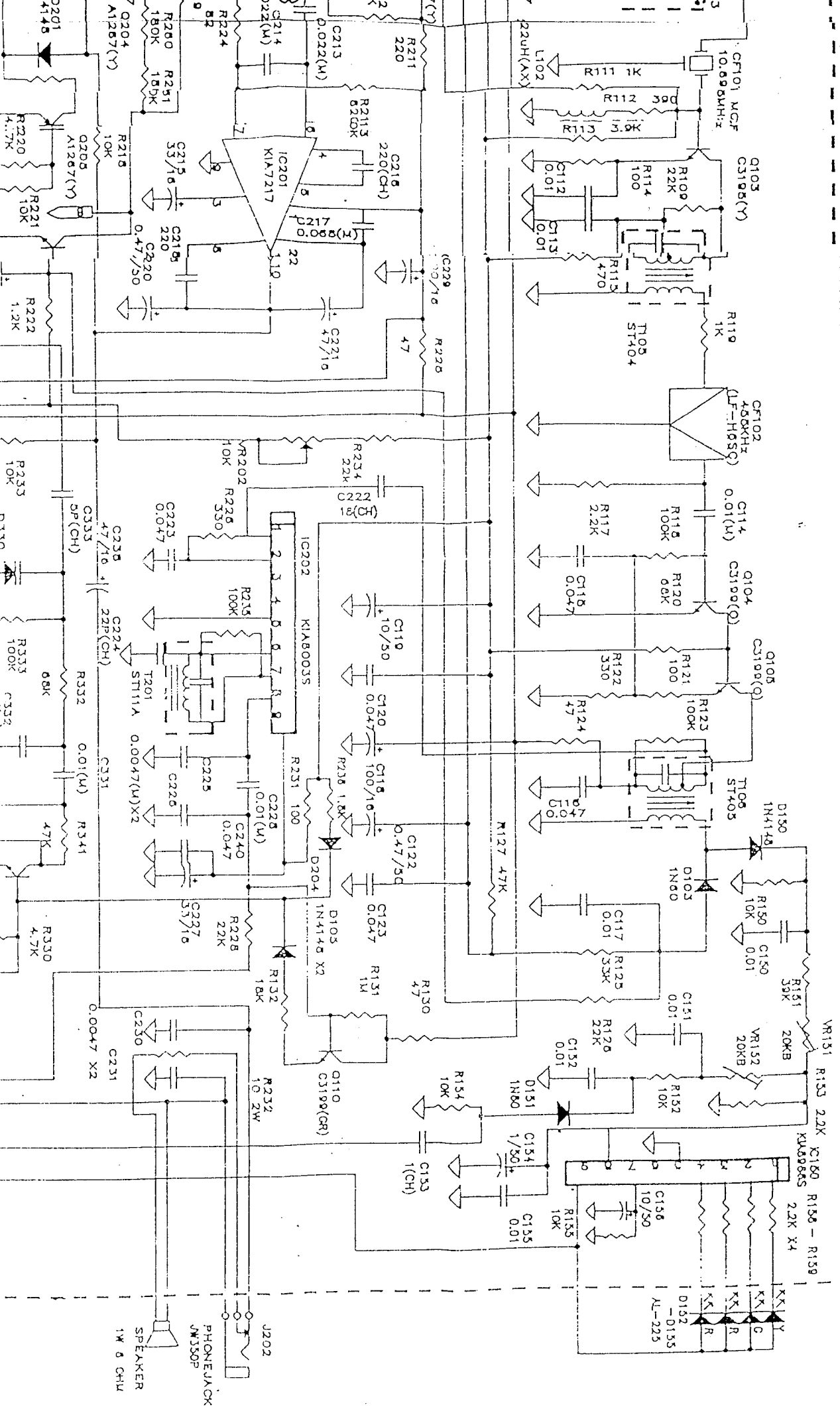
3A

3B



1992.5.1		NAME OR TITLE		2000FM		FIRST MADE FOR		MDB	
海陽無線(株) 電子事業部		MATERIAL							
APPLICATION (USED ON)		END FINISH		QTY/SET		SCALE		CONTRACT OR CUSTOMER NO.	
DRAWN BY		DESIGN BY		CHECKED BY		APPROVED BY		DIMENSIONS (ARE IN mm (inch))	
4.30.1992		4.30.1992		1992		19		DRAWING NO. 920430-0	





REVISIONS		DATE
SYM	ZONE	DESCRIPTION