

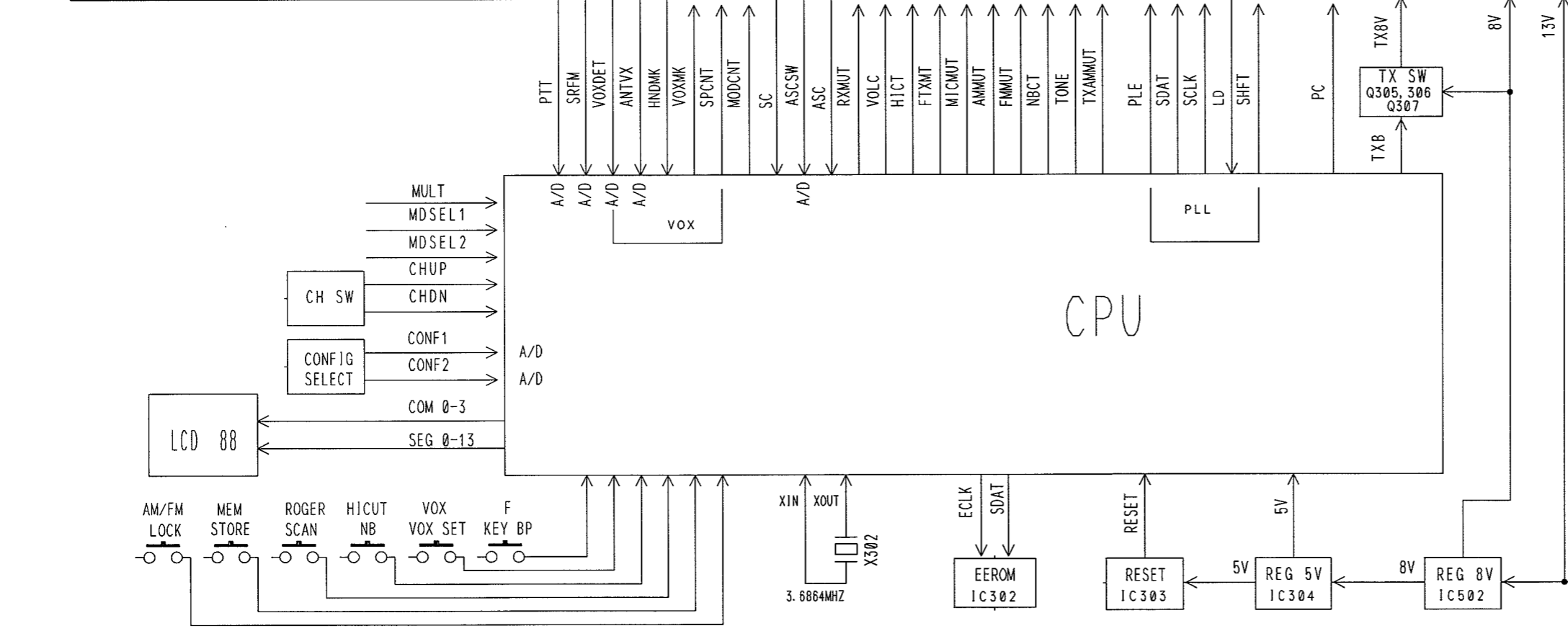
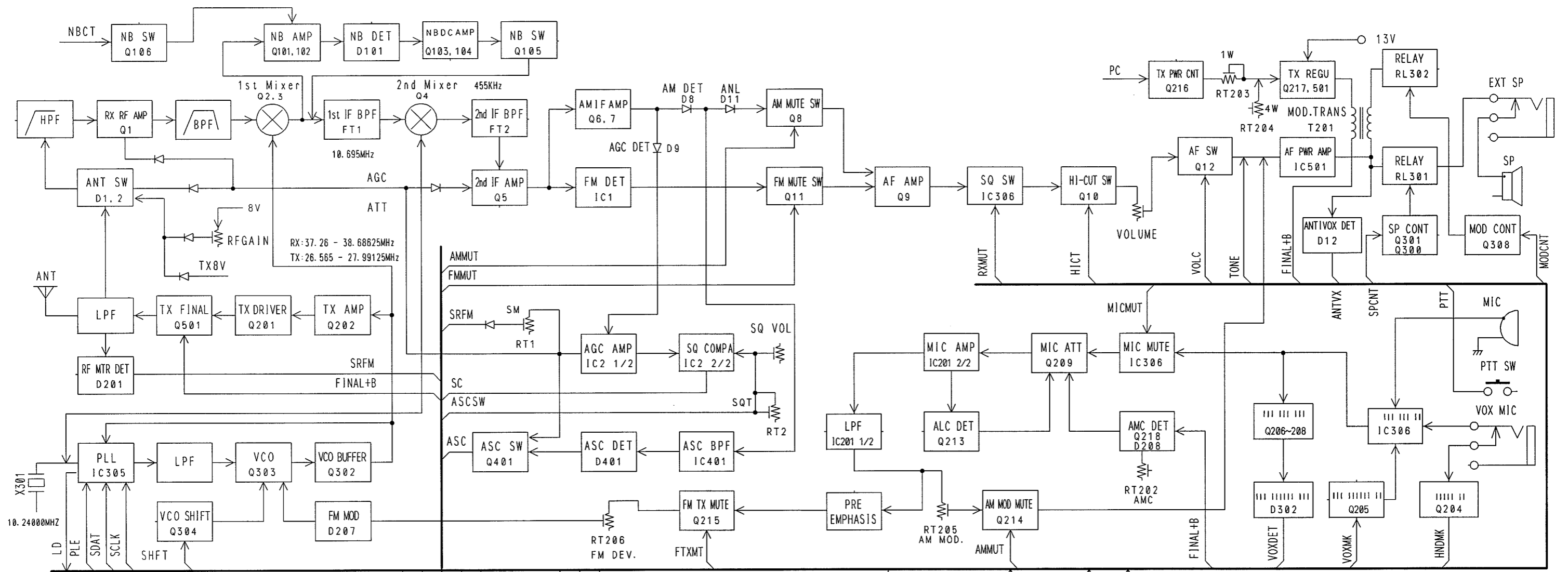
# HARRY III



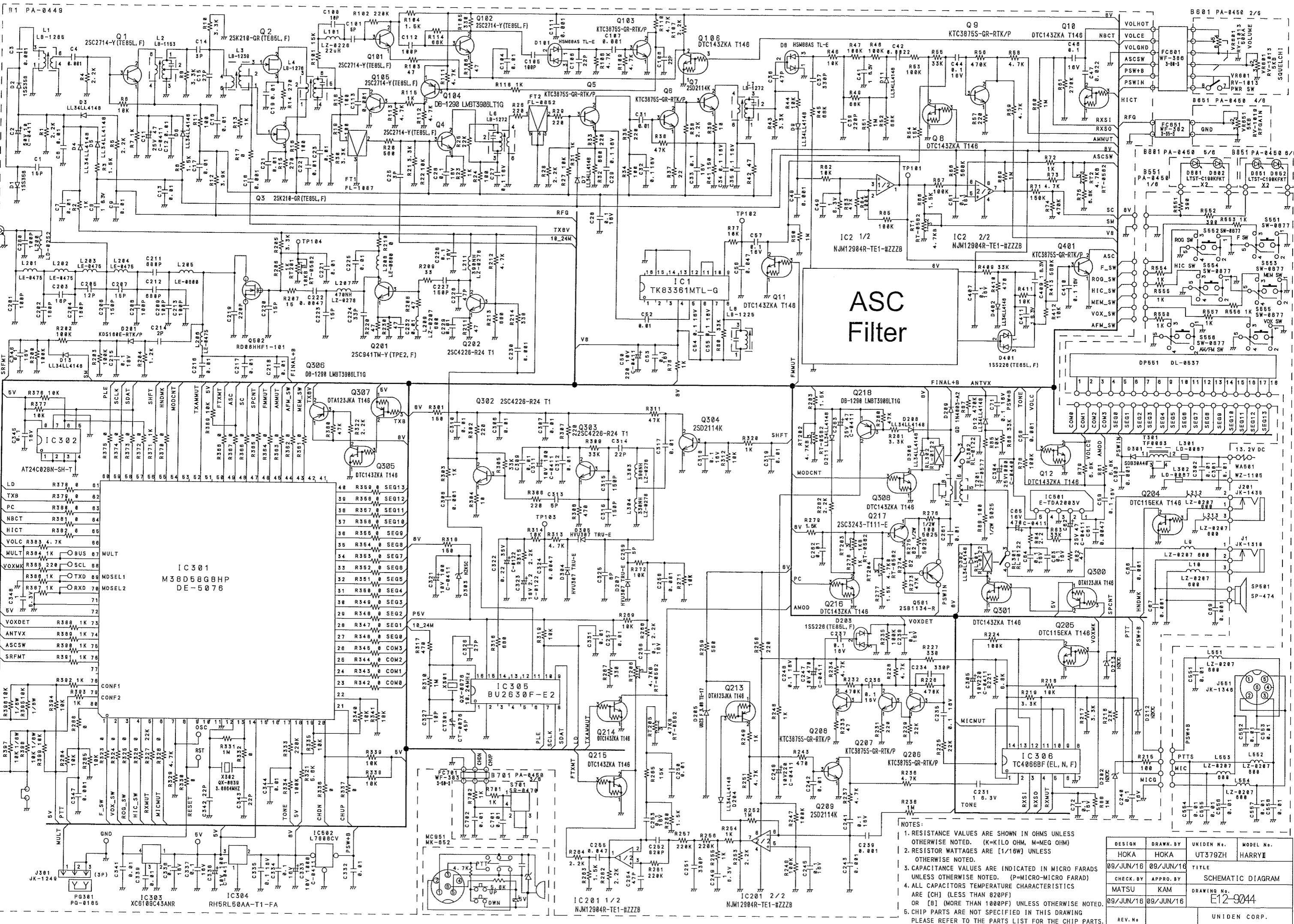
*Service Manual*

**PRESIDENT**

Downloaded from [www.cbradio.nl](http://www.cbradio.nl)



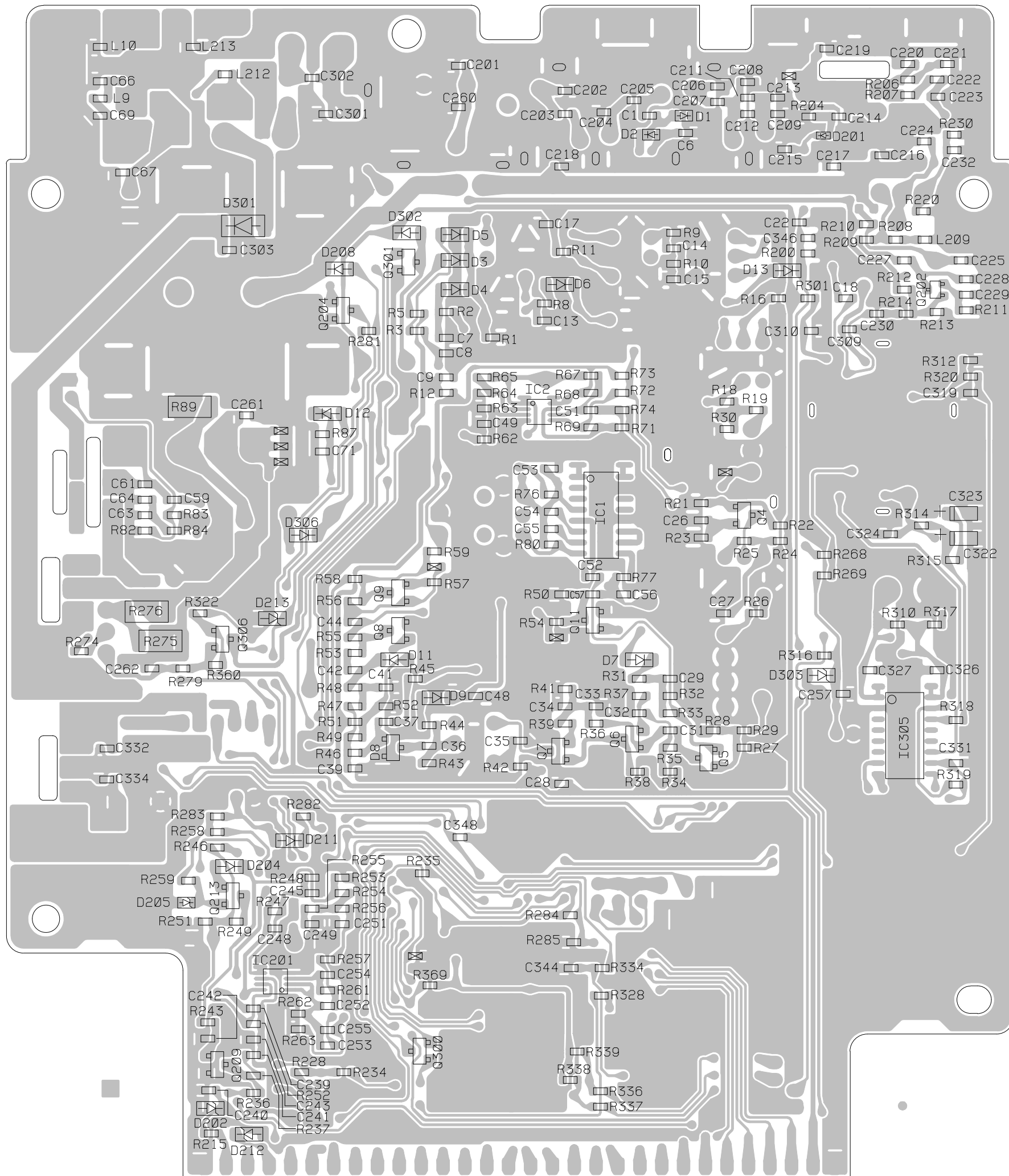
HARRY III



- NOTES:
1. RESISTANCE VALUES ARE SHOWN IN OHMS UNLESS OTHERWISE NOTED. (K=KILO OHM, M=MEG OHM)
  2. RESISTOR WATTAGES ARE [1/16W] UNLESS OTHERWISE NOTED.
  3. CAPACITANCE VALUES ARE INDICATED IN MICRO FARADS UNLESS OTHERWISE NOTED. (P=MICRO-MICRO FARAD)
  4. ALL CAPACITORS TEMPERATURE CHARACTERISTICS ARE [CH] (LESS THAN 820PF) OR [B] (MORE THAN 1000PF) UNLESS OTHERWISE NOTED.
  5. CHIP PARTS ARE NOT SPECIFIED IN THIS DRAWING PLEASE REFER TO THE PARTS LIST FOR THE CHIP PARTS.

DESIGN	DRAWN BY	UNIDEN No.	MODEL No.
HOKA	HOKA	UT379ZH	HARRYII
CHECK BY	APPROV BY	TITLE	
MATSU	KAM	SCHEMATIC DIAGRAM	
DATE	DATE	DRAWING No.	
09/JUN/16	09/JUN/16	E12-9044	
REV. No		UNIDEN CORP.	

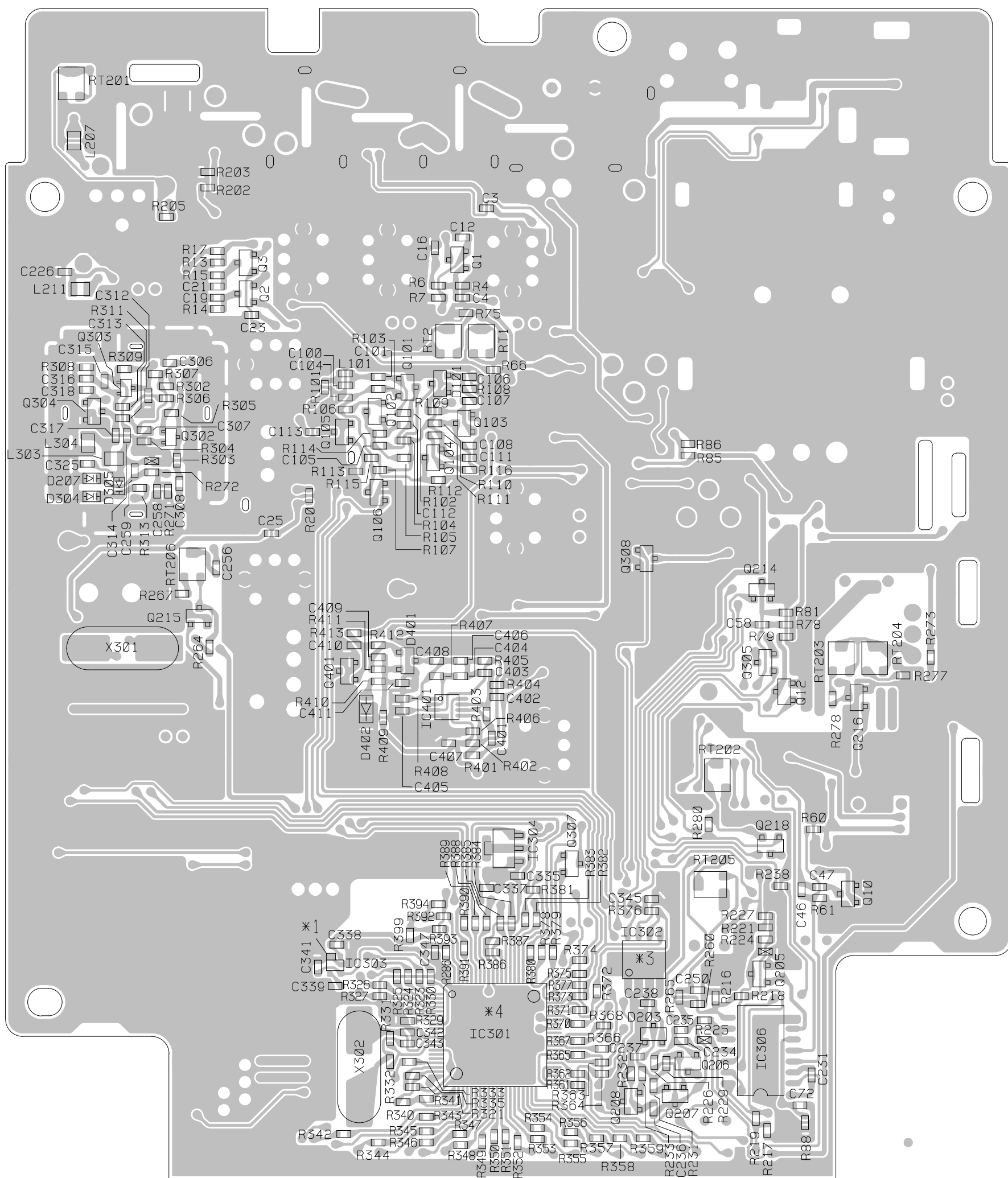
B1 PA-449AA (BOTTOM VIEW) USE Pb FREE SOLDER



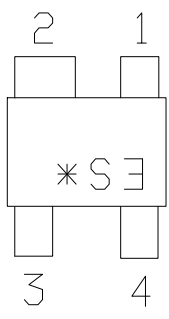
DESIGN. BY	DRAWN. BY	UNIDEN NO.	MODEL NO.
HOKA	HOKA	UT379ZH	HARRY III
09/06/16	09/06/16	TITLE	MAIN PCB 1/2
CHECK. BY	APPRO. BY	CHIP LAYOUT BOTTOM VIEW	
MATSU	KAM	DRAWING NO.	
09/06/16	09/06/16	E23-29466	
REV. NO.		UNIDEN CORP.	

# B1 P.A-449AA (TOP VIEW)

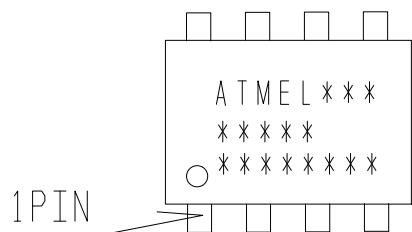
USE Pb FREE SOLDER



\*1 IC303 PIN POSITION \*3 IC302 MARKING & 1 PIN POSITION



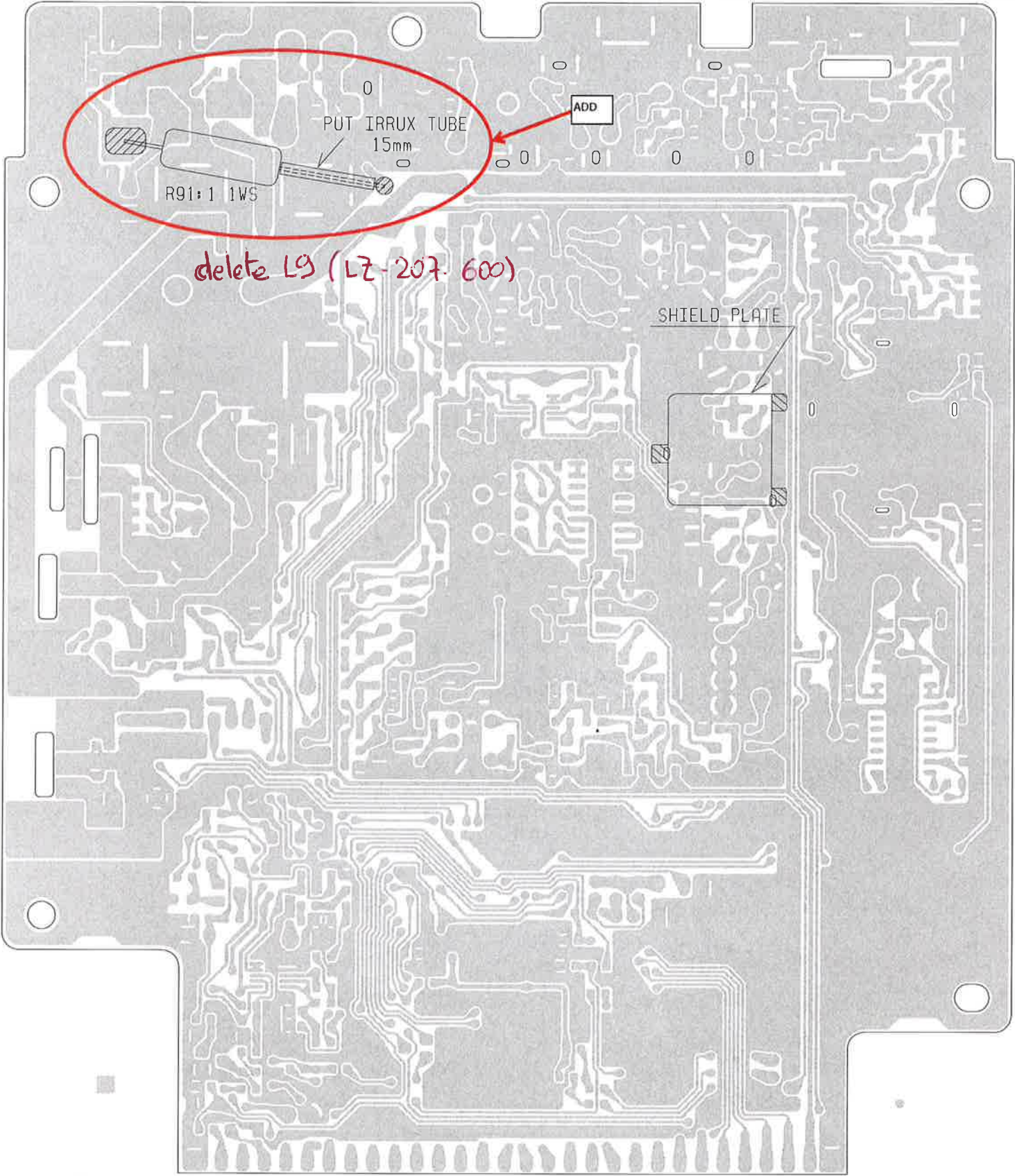
\*2 ALL CHIP INDUCTOR HAS NO DIRECTION



\*4 INSTALL IC301 AFTER PROGRAMMING

DESIGN. BY	DRAWN. BY	UNIDEN NO.	MODEL NO.
HOKA	HOKA	UT379ZH	HARRY III
09/06/16	09/06/16	TITLE	MAIN PCB 1/2
CHECK. BY	APPRO. BY	CHIP LAYOUT TOP VIEW	
MATSU	KAM	DRAWING NO.	
09/06/16	09/06/16	E23-29463	
REV. NO.		UNIDEN CORP.	

B1 PA-449AA (BOTTOM VIEW) USE Pb FREE SOLDER



delete L9 (L7-207. 600)

 : SOLDERING

DESIGN. BY HOKA	DRAWN. BY HOKA	UNIDEN NO. UT379BH	MODEL NO. JOHNNY III
09/6/12	09/6/12	TITLE MAIN PCB	
CHECK. BY MATSU	APPRD. BY KAM	PARTS ASS'Y BOTTOM VIEW	
09/6/12	09/6/12	DRAWING NO. E23-29456	
REV. NO.		UNIDEN CORP.	

Groupe  
**PRESIDENT**  
ELECTRONICS

SIEGE SOCIAL/HEAD OFFICE - FRANCE - Route de Sète - BP 100 - 34540 BALARUC  
Site Internet : <http://www.president-electronics.com>  
E-mail : [groupe@president-electronics.com](mailto:groupe@president-electronics.com)



CE 0341 !

1065/11-10 - M0121

**PRESIDENT**