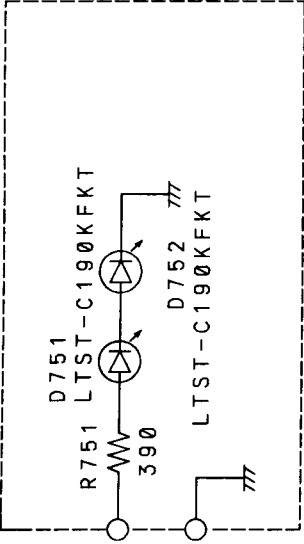


Downloaded from
www.cb-radio.nl

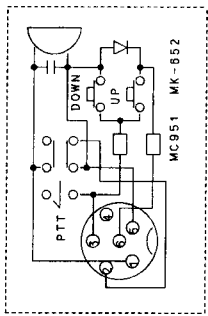
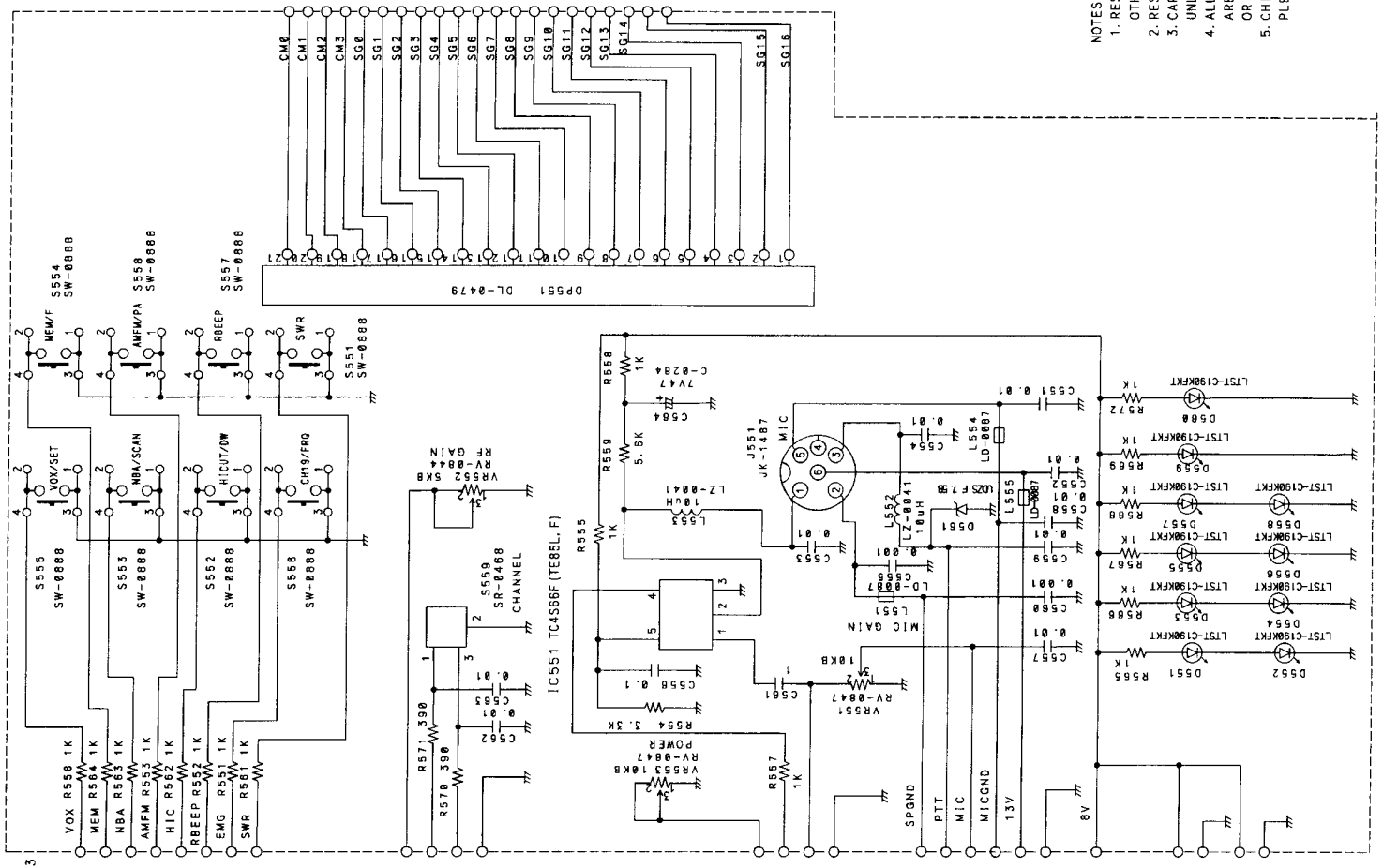
DESIGN	DRAWN. BY	UNIDEN No.	MODEL No.
08/06/27	08/06/27	UT376ZH	JFKII ASC
HOKA	HOKA	TITLE LED R PCB	
CHECK. BY	APPRO. BY	SCHEMATIC DIAGRAM	
08/06/27	08/06/27	DRAWING No.	
MATSU	NABE		
REV. No	UNIDEN CORP.		

B750 PA-0443



DESIGN	DRAWN. BY	UNIDEN No.	MODEL No.
08/06/27	08/06/27	UT376ZH	JFKI ASC
HOKA	HOKA	TITLE LED L PCB	
CHECK. BY	APPRO. BY	SCHEMATIC DIAGRAM	
08/06/27	08/06/27	DRAWING No.	
MATSU	NABE		
REV. No		UNIDEN CORP.	

B551
PA-0443

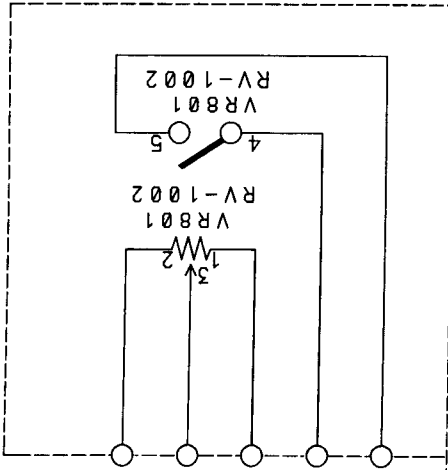


- NOTES:
1. RESISTANCE VALUES ARE SHOWN IN OHMS UNLESS OTHERWISE NOTED. (K=KILO OHM, M=MEG OHM)
 2. RESISTOR WATTAGES ARE [1/16W] UNLESS OTHERWISE NOTED.
 3. CAPACITANCE VALUES ARE INDICATED IN MICRO FARADS UNLESS OTHERWISE NOTED. (P=PICTO-MICRO FARAD)
 4. ALL CAPACITORS TEMPERATURE CHARACTERISTICS ARE [CH] (LESS THAN 820PF) OR [B] (MORE THAN 1000PF) UNLESS OTHERWISE NOTED.
 5. CHIP PARTS ARE NOT SPECIFIED IN THIS DRAWING. PLEASE REFER TO THE PARTS LIST FOR THE CHIP PARTS.

DESIGN	UNIDEN No.	MODEL No.
HOKA	UT376ZH	JFK II ASC
2008.06.27	TITLE	FRONT PCB
CHECK BY	APPROV. BY	SCHEMATIC DIAGRAM
MATSU	NABE	DRAWING No.
2008.06.27	2008.06.27	
REV. No		UNIDEN CORP.

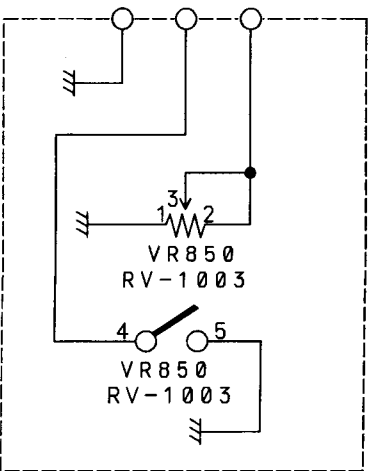
B801

PA-0443



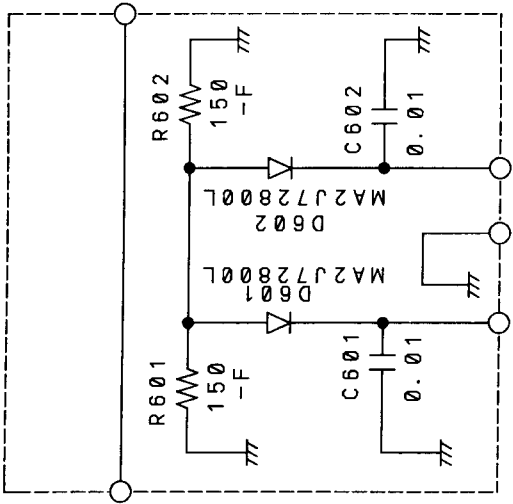
DESIGN	DRAWN. BY	UNIDEN No.	MODEL No.
08/06/27	08/06/27	UT376ZH	JFKII ASC
HOKA	HOKA	TITLE VOL PCB	
CHECK. BY	APPRO. BY	SCHEMATIC DIAGRAM	
08/06/27	08/06/27	DRAWING No.	
MATSU	NABE		
REV. No			UNIDEN CORP.

B 8 5 0 PA-0443



DESIGN	DRAWN. BY	UNIDEN No.	MODEL No.
08/06/27	08/06/27	UT376ZH	JFKII ASC
HOKA	HOKA	TITLE	SO PCB
CHECK. BY	APPRO. BY	SCHEMATIC DIAGRAM	
08/06/27	08/06/27	DRAWING No.	
MATSU	NABE		
REV. No		UNIDEN CORP.	

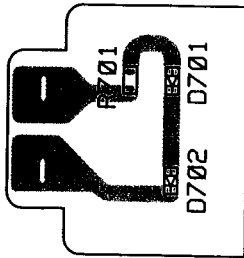
B601 PA-0444



DESIGN	DRAWN. BY	UNIDEN No.	MODEL No.
08/06/27	08/06/27	UT376ZH	JFKI ASC
HOKA	HOKA	TITLE SWR PCB	
CHECK. BY	APPRO. BY	SCHEMATIC DIAGRAM	
08/06/27	08/06/27	DRAWING No.	
MATSU	NABE		
REV. No		UNIDEN CORP.	

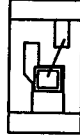
Use Pb Free Solder

B701 PA-443AA 2/5(TOP VIEW)



D701	LTST-C190KFKT
D702	LTST-C190KFKT
R701	390 1/16W J

D701~702 POLARITY



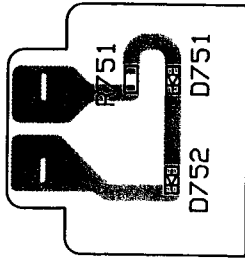
NOTES:

1. RESISTANCE VALUES ARE SHOWN IN OHMS UNLESS OTHERWISE NOTED. (K-KILO OHM. M-MEG OHM)

DESIGN. BY	HOKA	UNIDEN NO.	UT376ZH	MODEL NO.	JFKI ASC
DRAWN. BY	HOKA				
CHECK. BY	08/07/02	APPRO. BY	NABE	TITLE	LED R PCB
MATSU	08/07/02			CHIP LAYOUT TOP VIEW	
REV. NO.				DRAWING NO.	
					UNIDEN CORP.

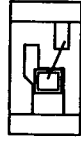
Use Pb Free Solder

B750 PA-443AA 3/5(TOP VIEW)



D751	LTST-C190KFKT
D752	LTST-C190KFKT
R751	390 1/16W J

D751~752 POLARITY

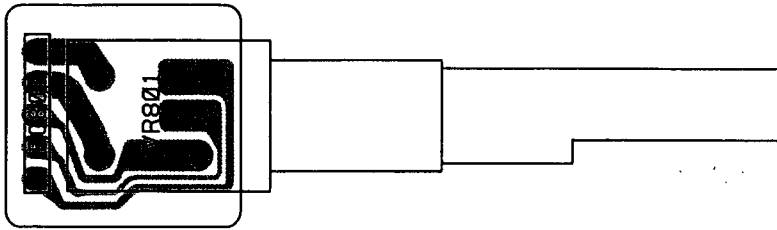


NOTES:

1. RESISTANCE VALUES ARE SHOWN IN OHMS UNLESS OTHERWISE NOTED. (K-KILO OHM. M-MEG OHM)

DESIGN. BY	HOKA	DRAWN. BY	HOKA	UNIDEN NO.	UT376ZH	MODEL NO.	JFKI ASC
CHECK. BY	MATSU	APPRO. BY	NABE	TITLE	LED L PCB	CHIP LAYOUT TOP VIEW	
REV. NO.				DRAWING NO.			
						UNIDEN CORP.	

B801 PA-443AA 4/5(TOP VIEW)

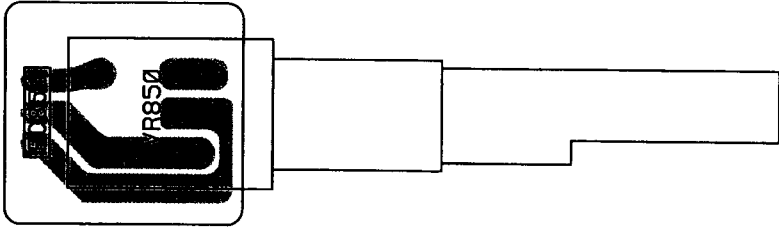


Use Pb Free Solder

FC801	WF-385 3.5-55-3.5 5P
VR801	RV-1002

DESIGN. BY HOKA	DRAWN. BY HOKA	UNIDEN NO. UT376ZH	MODEL NO. JFK II ASC
08/07/02	08/07/02	TITLE VOL PCB	
CHECK. BY MATSU	APPRO. BY NABE	PARTS ASS'Y TOP VIEW	
08/07/02	08/07/02	DRAWING NO.	
REV. NO.			UNIDEN CORP.

B850 PA-443AA 5/5(TOP VIEW)

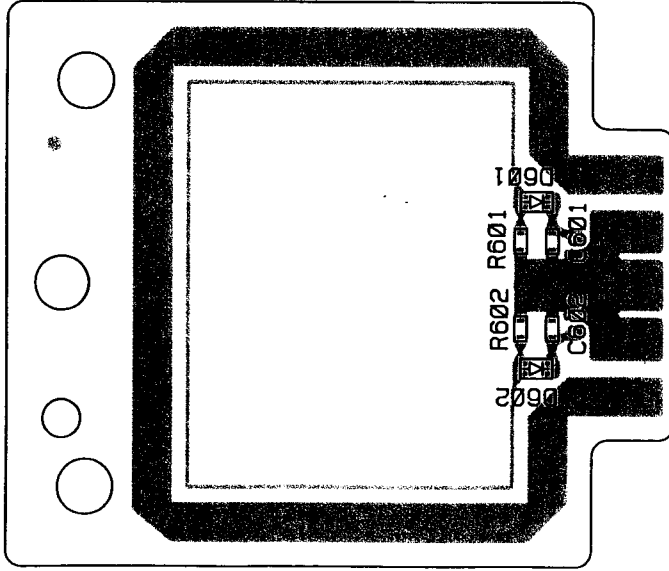


Use Pb Free Solder

FC851	WF-383 3.5-55-3.5 3P
VR850	RV-1003

DESIGN. BY HOKA	DRAWN. BY HOKA	UNIDEN NO. UT376ZH	MODEL NO. JFK II ASC
08/07/02	08/07/02	TITLE SQ PCB	
CHECK. BY MATSU	APPRO. BY NABE	PARTS ASS'Y TOP VIEW	
08/07/02	08/07/02	DRAWING NO.	
REV. NO.	UNIDEN CORP.		

B601 PA-444AA (TOP VIEW)



Use Pb Free Solder

D601	MA2J72800L
D602	MA2J72800L
C601	0.01UF 50V K B
C602	0.01UF 50V K B
R601	150 1/16W F
R602	150 1/16W F

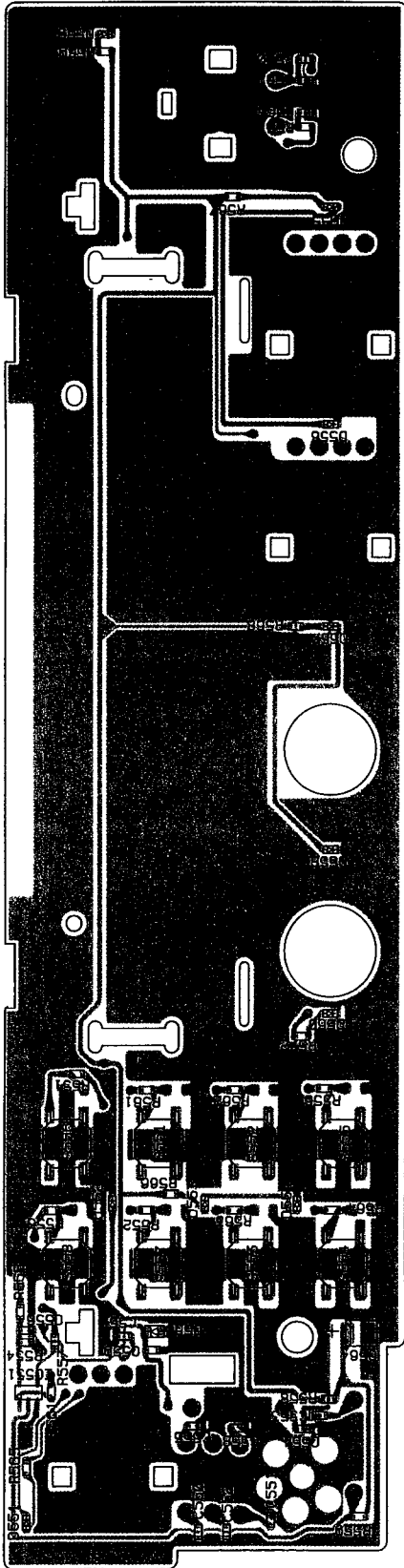
NOTES:

1. RESISTANCE VALUES ARE SHOWN IN OHMS UNLESS OTHERWISE NOTED. (K-KILO OHM, M-MEG OHM)

DESIGN. BY	HOKA	DRAWN. BY	HOKA	UNIDEN NO.	UT376ZH	MODEL NO.	JFK II ASC
CHECK. BY	08/07/02	APPRO. BY	08/07/02	TITLE	SWR PCB	CHIP LAYOUT TOP VIEW	
	MATSU		NABE	DRAWING NO.			
REV. NO.	08/07/02					UNIDEN CORP.	

B551 PA-443AA 1/5 (TOP VIEW)

Use Pb Free Solder



C551	0.01
C552	0.01
C553	0.01
C554	0.01
C555	0.001
C556	0.1 16V
C557	0.01
C558	0.01
C559	0.01
C560	0.001
C561	1 10V
C562	0.01
C563	0.01
C564	47 7V C-284
D551	LTST-C190KFKT
D552	LTST-C190KFKT
D553	LTST-C190KFKT
D554	LTST-C190KFKT
D555	LTST-C190KFKT
D556	LTST-C190KFKT
D557	LTST-C190KFKT
D558	LTST-C190KFKT
D559	LTST-C190KFKT

D560	LTST-C190KFKT
D561	UDZSF 7.5B TE-17
IC551	TC4S66F(TE85L,F)
R551	1K
R552	1K
R553	1K
R554	3.3K
R555	1K
R556	1K
R557	1K
R558	1K
R559	5.6K
R561	1K
R562	1K
R563	1K
R564	1K
R565	1K
R566	1K
R567	1K
R568	1K
R569	1.5K

R570	390
R571	390
R572	3.3K
S551	SW-888 RS-187R05A2-DS MT
S552	SW-888 RS-187R05A2-DS MT
S553	SW-888 RS-187R05A2-DS MT
S554	SW-888 RS-187R05A2-DS MT
S555	SW-888 RS-187R05A2-DS MT
S556	SW-888 RS-187R05A2-DS MT
S557	SW-888 RS-187R05A2-DS MT
S558	SW-888 RS-187R05A2-DS MT

D551-561 POLARITY

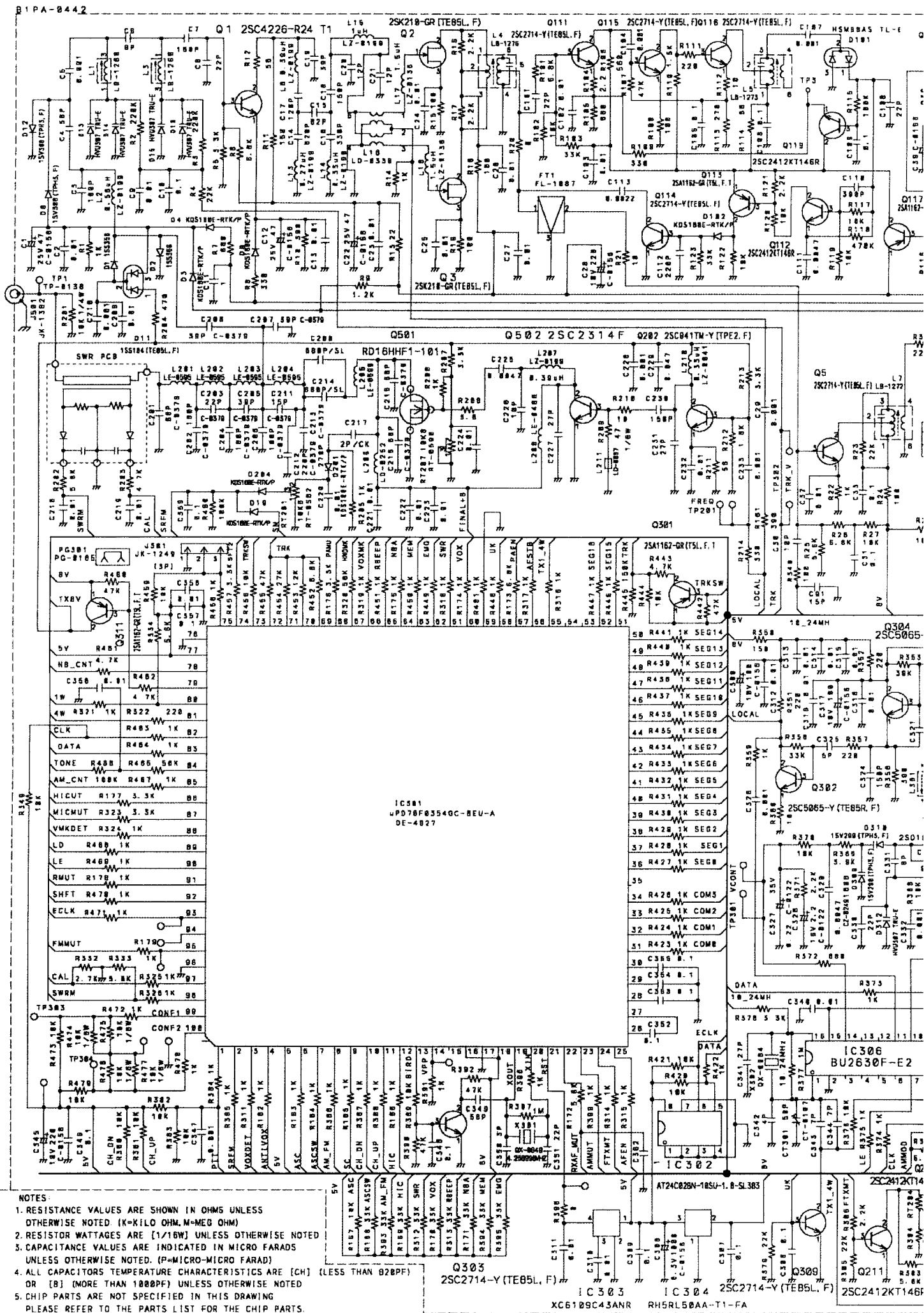


NOTES:

1. RESISTANCE VALUES ARE SHOWN IN OHMS UNLESS OTHERWISE NOTED. (K=KILLO OHM, M=MEG OHM)
2. RESISTOR TOLERANCES ARE 1/16W UNLESS OTHERWISE NOTED.
3. CAPACITANCE VALUES ARE INDICATED IN MICRO FARADS UNLESS OTHERWISE NOTED. (P=PICTO-MICRO FARAD)
4. ALL CAPACITORS ARE 50V & SIZE ARE 1608 UNLESS OTHERWISE NOTED.
5. ALL CAPACITORS TEMPERATURE CHARACTERISTICS ARE CH (LESS THAN 820PF) OR B (MORE THAN 1000PF) UNLESS OTHERWISE NOTED.

DESIGN BY	HOKA	UNIDEN NO.	UTS76ZH	MODEL NO.	JFK I ASC
DATE	8/87/82	TITLE	FRONT ASS'Y		
CHECK BY	MATSU	APP'D BY	DRWGNG NO.		
DATE	8/87/82				
REV. NO.	UNIDEN CORP.				

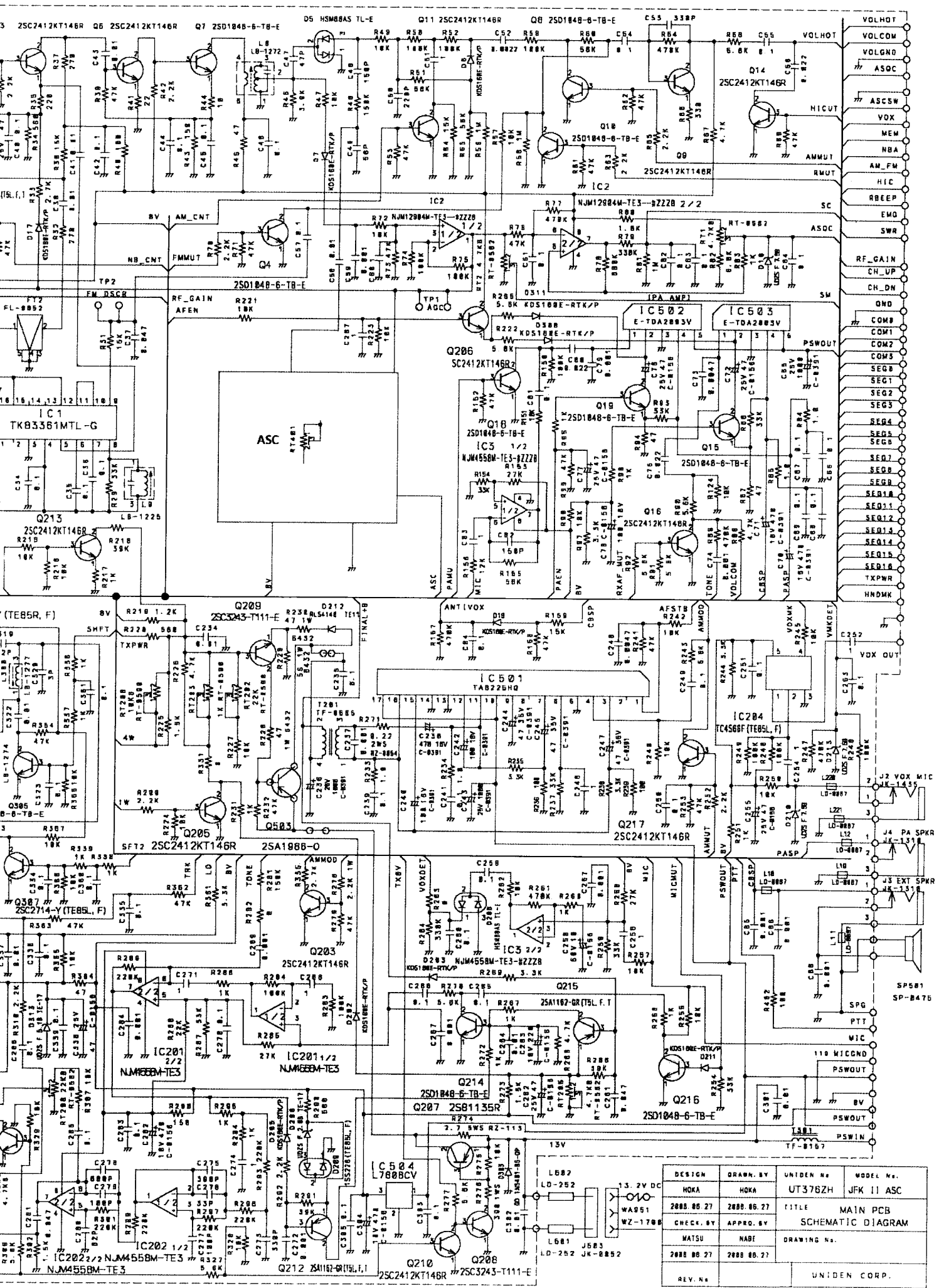
B1 PA-0442



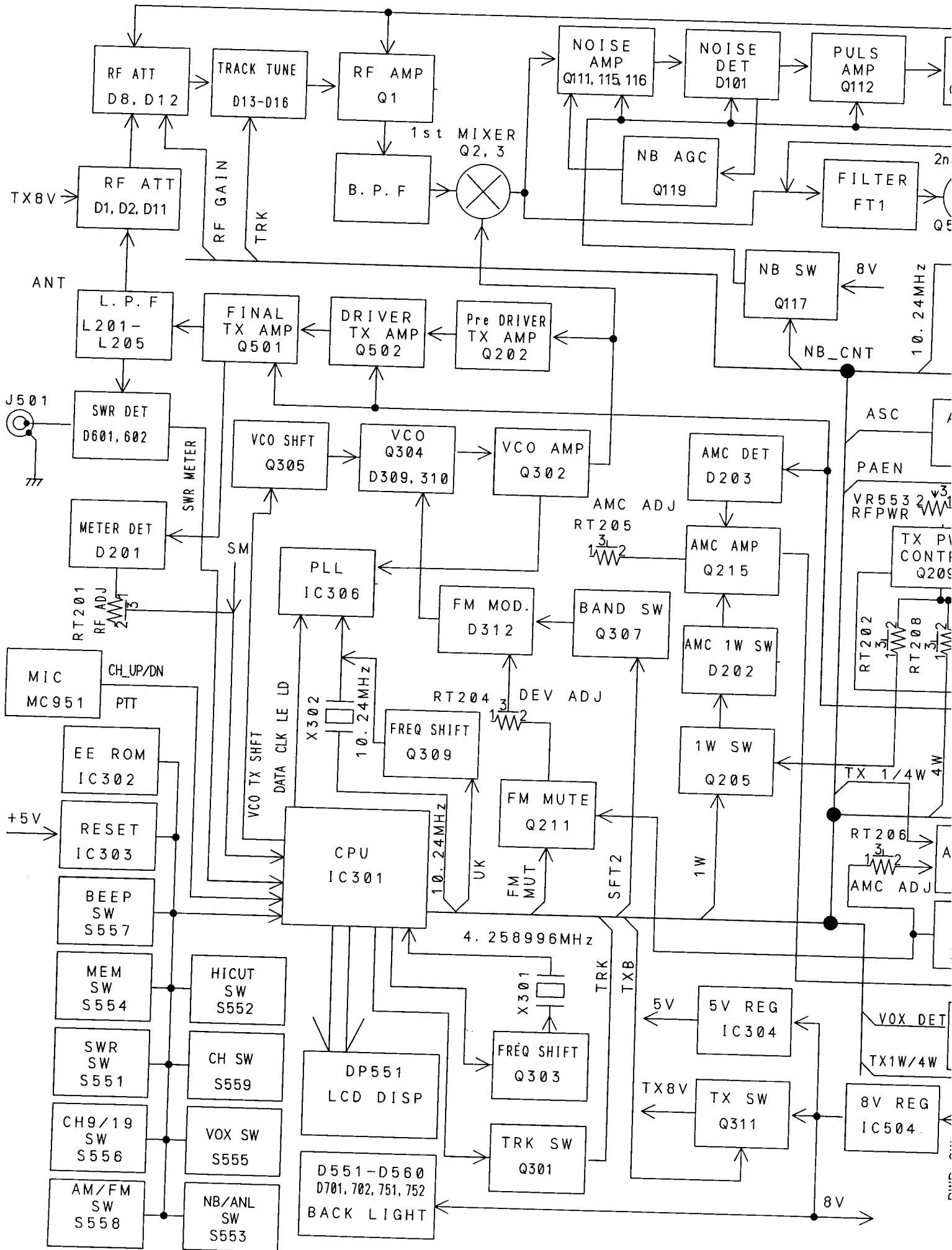
- NOTES:
1. RESISTANCE VALUES ARE SHOWN IN OHMS UNLESS OTHERWISE NOTED (K=KILO OHM, M=MEG OHM)
 2. RESISTOR WATTAGES ARE [1/16W] UNLESS OTHERWISE NOTED
 3. CAPACITANCE VALUES ARE INDICATED IN MICRO FARADS UNLESS OTHERWISE NOTED. (P=MICRO-MICRO FARAD)
 4. ALL CAPACITORS TEMPERATURE CHARACTERISTICS ARE [CH] OR [B] (MORE THAN 100PPF) UNLESS OTHERWISE NOTED
 5. CHIP PARTS ARE NOT SPECIFIED IN THIS DRAWING PLEASE REFER TO THE PARTS LIST FOR THE CHIP PARTS.

1c

1d

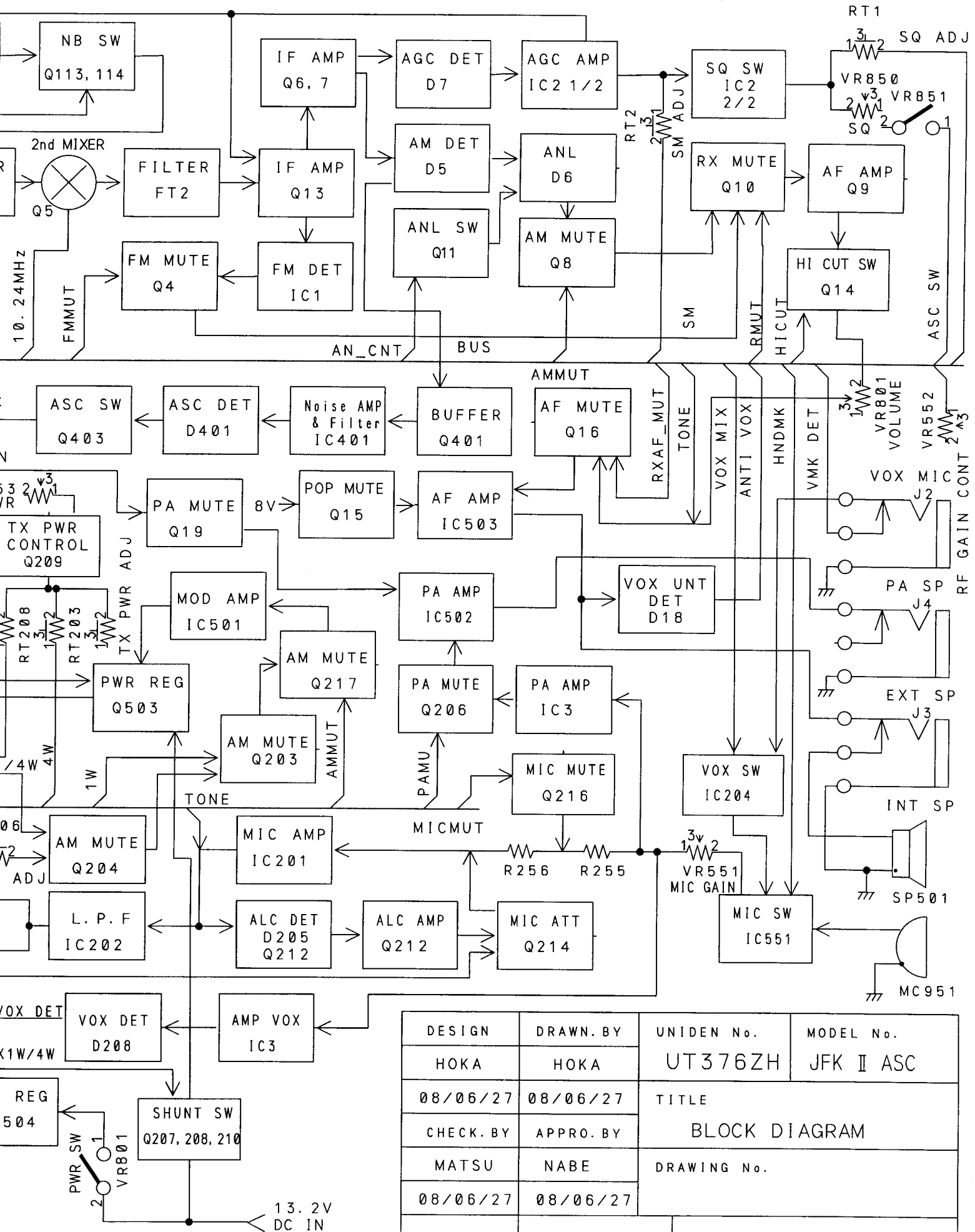


DESIGN	DRAWN BY	UNIDEN No	MODEL No.
HOKA	HOKA	UT376ZH	JFK II ASC
2008.06.27	2008.06.27	TITLE	MAIN PCB
WZ-170B	APPRO. BY	SCHEMATIC DIAGRAM	
2008.06.27	MATSU	DRAWING No.	
2008.06.27	NABE	UNIDEN CORP.	



2C

2D



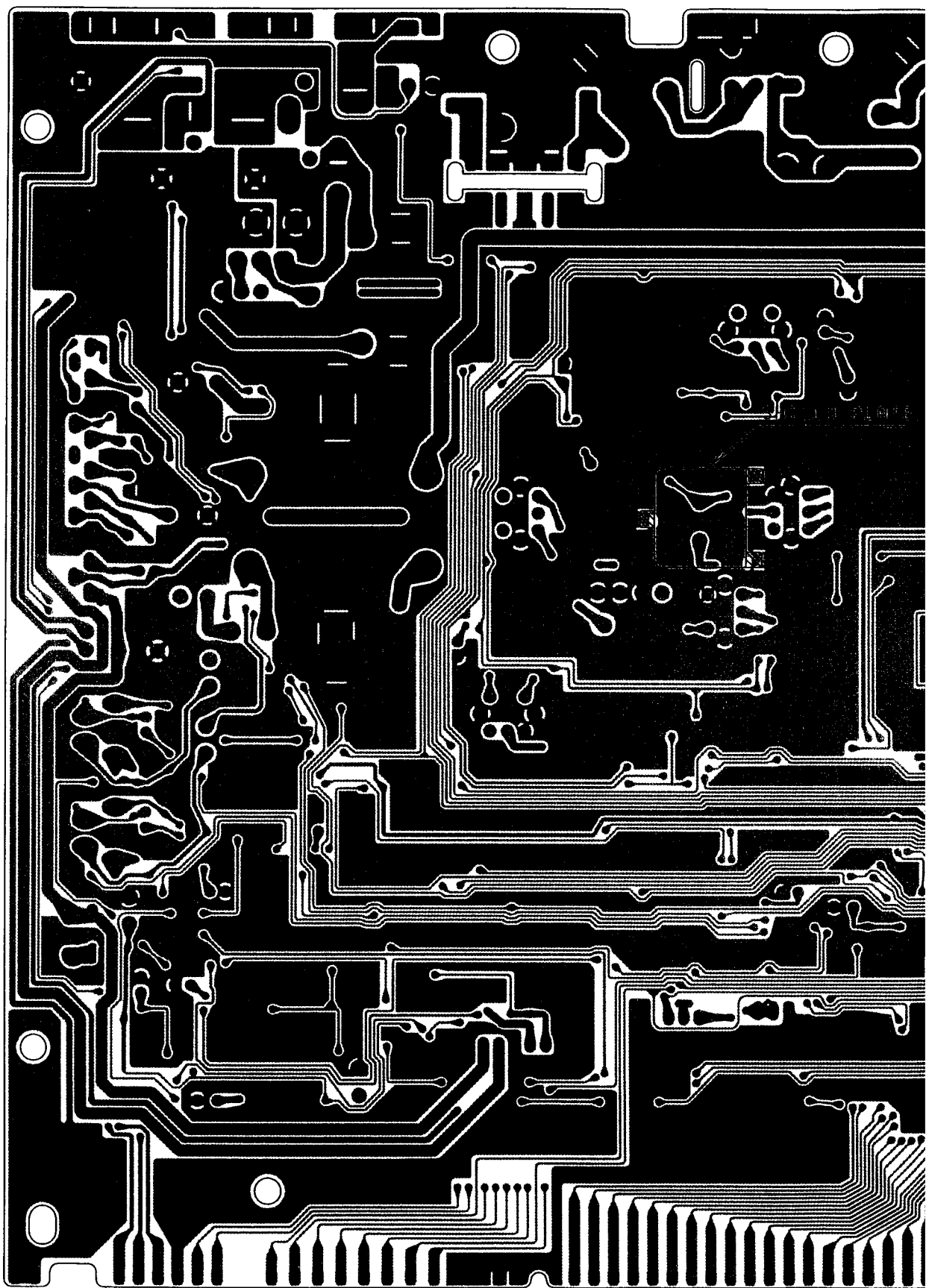
DESIGN	DRAWN. BY	UNIDEN No.	MODEL No.
HOKA	HOKA	UT376ZH	JFK II ASC
08/06/27	08/06/27	TITLE BLOCK DIAGRAM	
CHECK. BY	APPRO. BY		
MATSU	NABE	DRAWING No.	
08/06/27	08/06/27		
REV. No			UNIDEN CORP.

3A

3B

Use Pb F

B1 PA-442AA (BOTTOM VIEW)

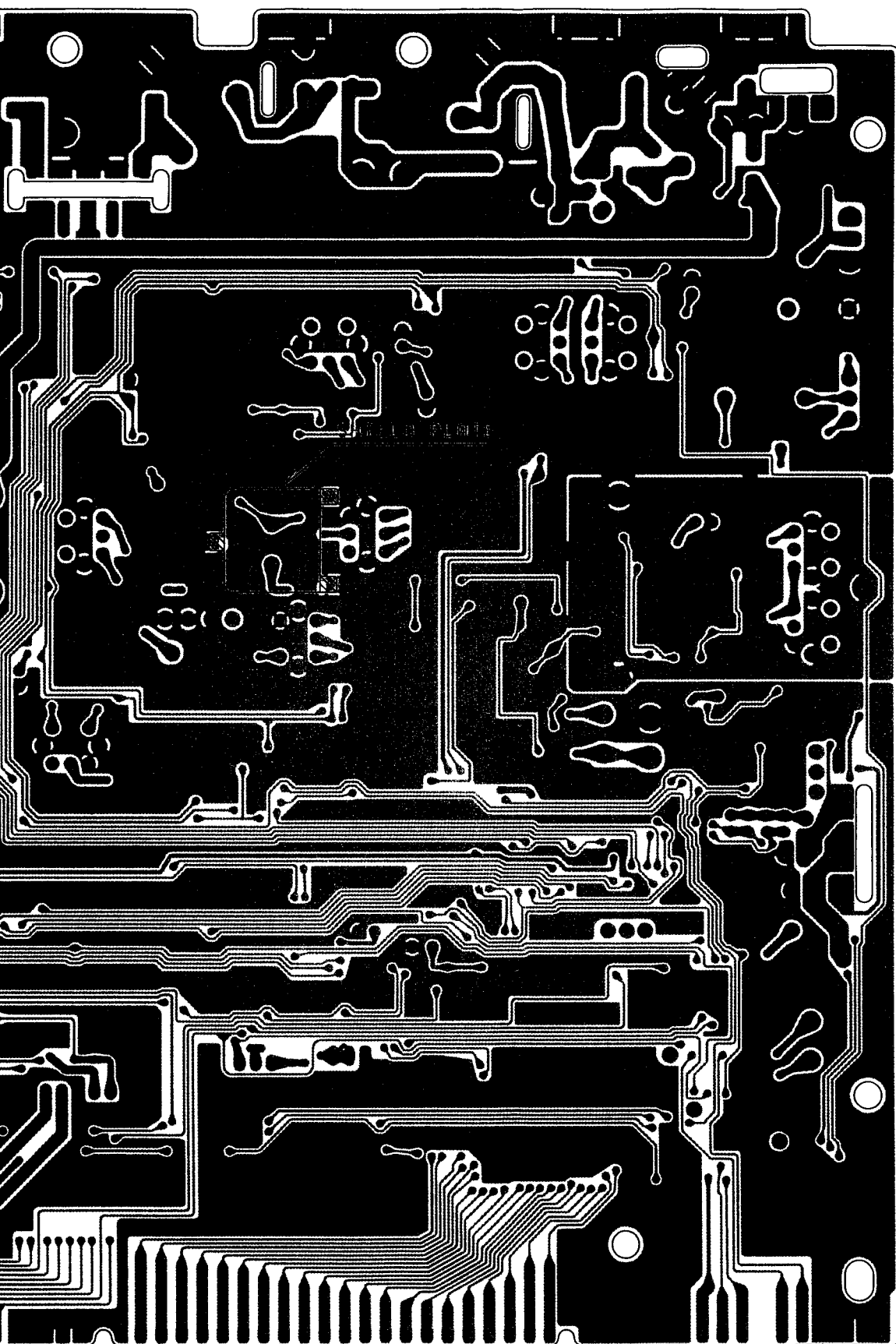


3B

3C

Use Pb Free Solder

IEW)

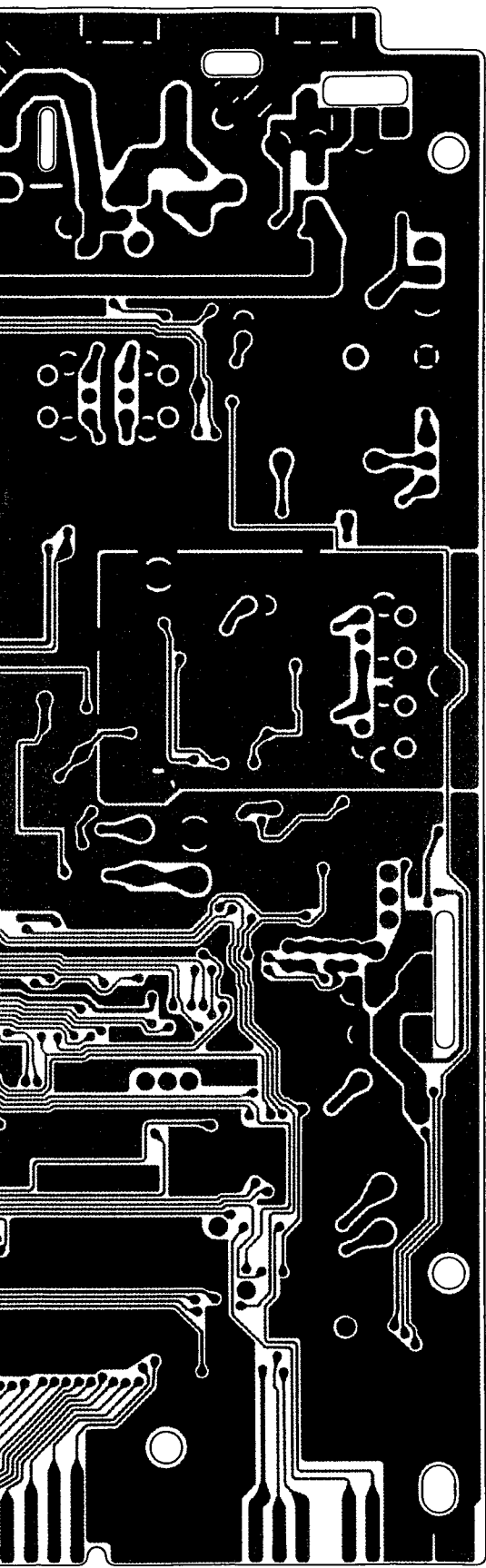


DES:	H
08/	
CHE	M
08/	F

3C

3D

Free Solder



DESIGN. BY	DRAWN. BY	JNIDEN NO.	MODEL NO.
HOKA	HOKA	UT376ZH	JFK II ASC
08/07/02	08/07/02	TITLE MAIN PCB	
CHECK. BY	APPRO. BY	PARTS ASS'Y BOTTOM VIEW	
MATSU	NABE	DRAWING NO.	
08/07/02	08/07/02		
REV. NO.		UNIDEN CORP.	

4A

4B

* APPLY THERMAL COMPOUND (ZAYY0001001)

IC501, 502, 503, 504: REAR SIDE

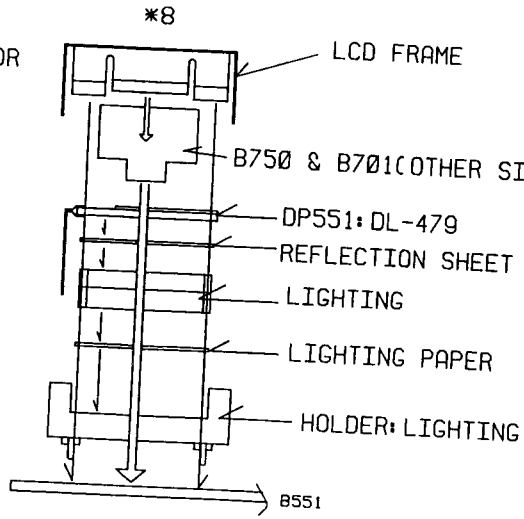
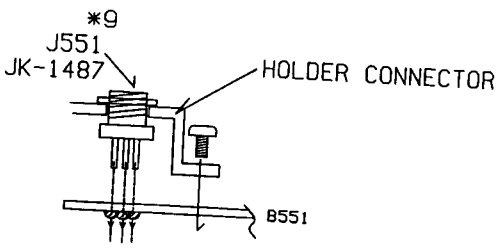
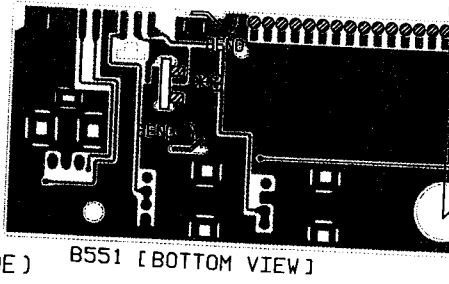
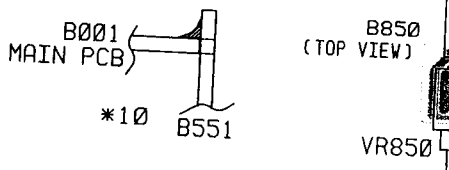
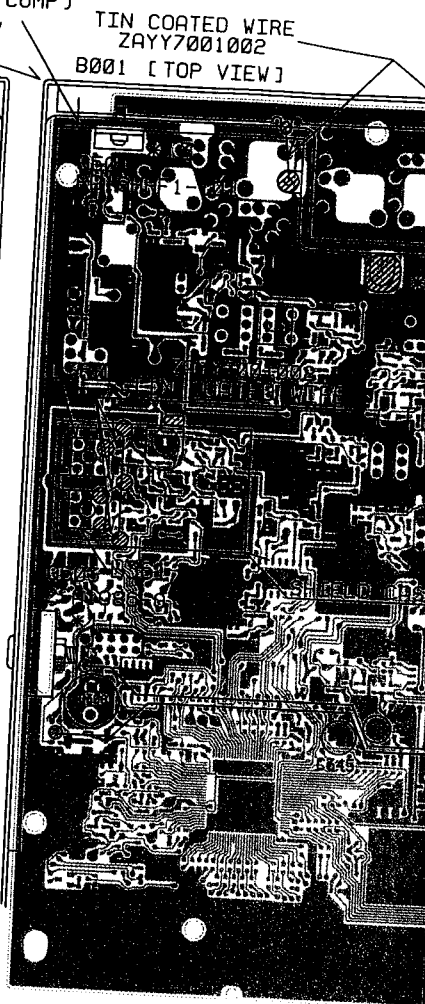
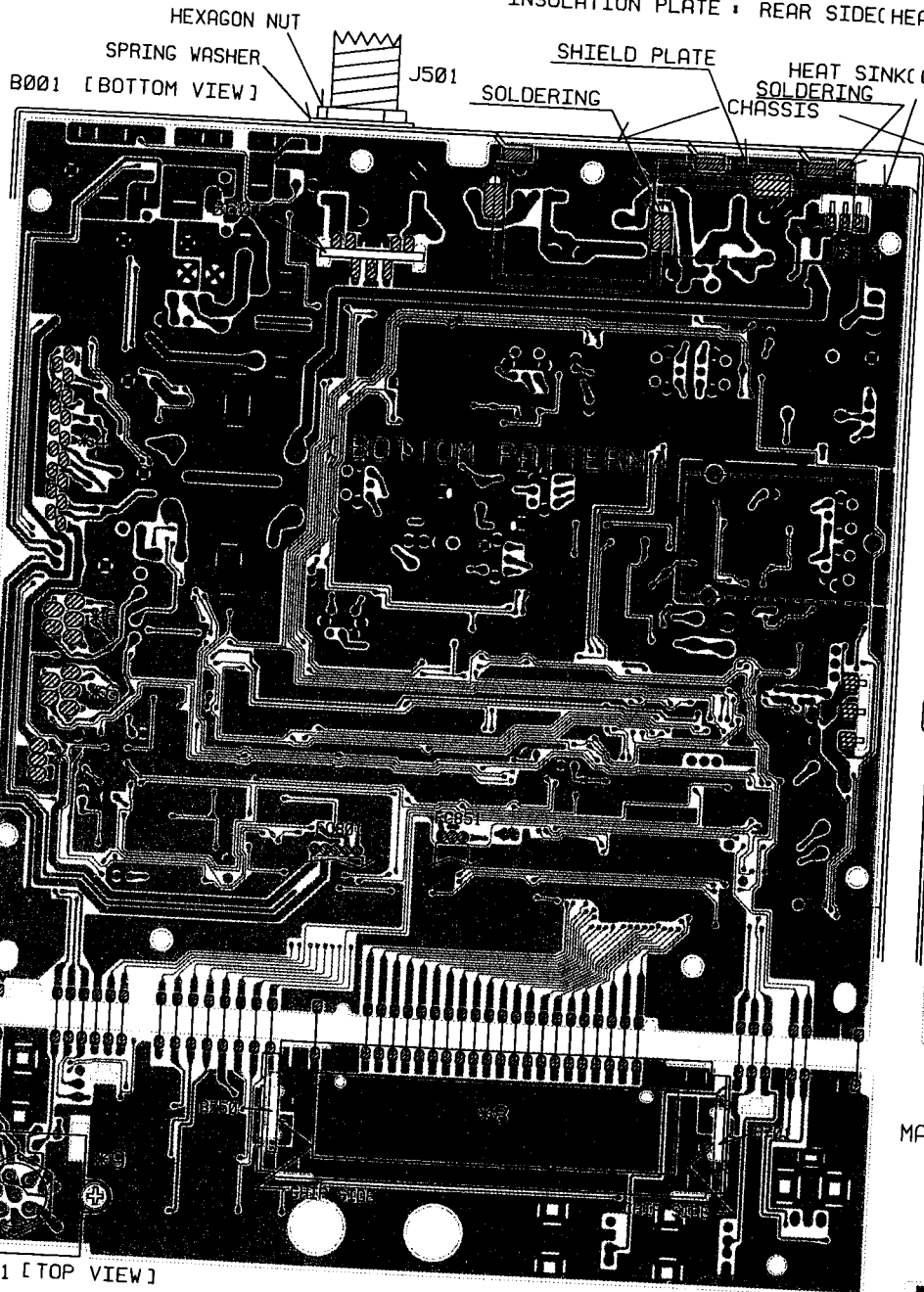
Q501, 503: REAR SIDE

HEAT SINK & HEAT SINK(COMP): REAR SIDE(CHASSIS SIDE)

INSULATION PLATE: REAR SIDE(HEAT SINK SIDE)

 : SOLDERING

Use Pb free



4B

4C

OUND (ZAYY0001001)
REAR SIDE
REAR SIDE
REAR SIDE(CHASSIS SIDE)
REAR SIDE(HEAT SINK SIDE)

Use Pb free Solder

HEAT SINK(COMP)
SOLDERING
CHASSIS

TIN COATED WIRE
ZAYY7001002
B001 [TOP VIEW]

HOLDER: PCB

J501
JK-1382

CUT &
SOLDERING

J503
JK-052

*3

L501 & L502
DO NOT TOUCH TO J3&J4

HEAT
SINK

B001
MAIN PCB
TOP SIDE SO

HEAT SINK *4

HOLDER: IC

IC501
TA8225HQ

*4

W1 (GRY)

*5
SP501
SP-475

W2 (WHT)

HOLDER: IC

*6

IC502 & 503

B001

SOLDERING

INSULAT

B001
MAIN PCB
*10
B551

B850
(TOP VIEW)

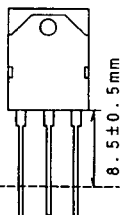
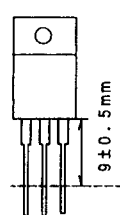
VR850

B801
(TOP VIEW)

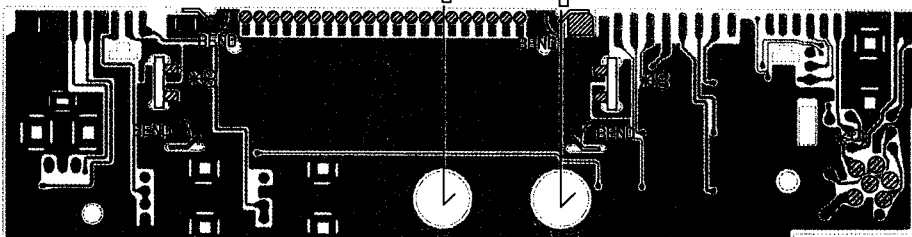
VR801

Q501

Q503



LCD FRAME



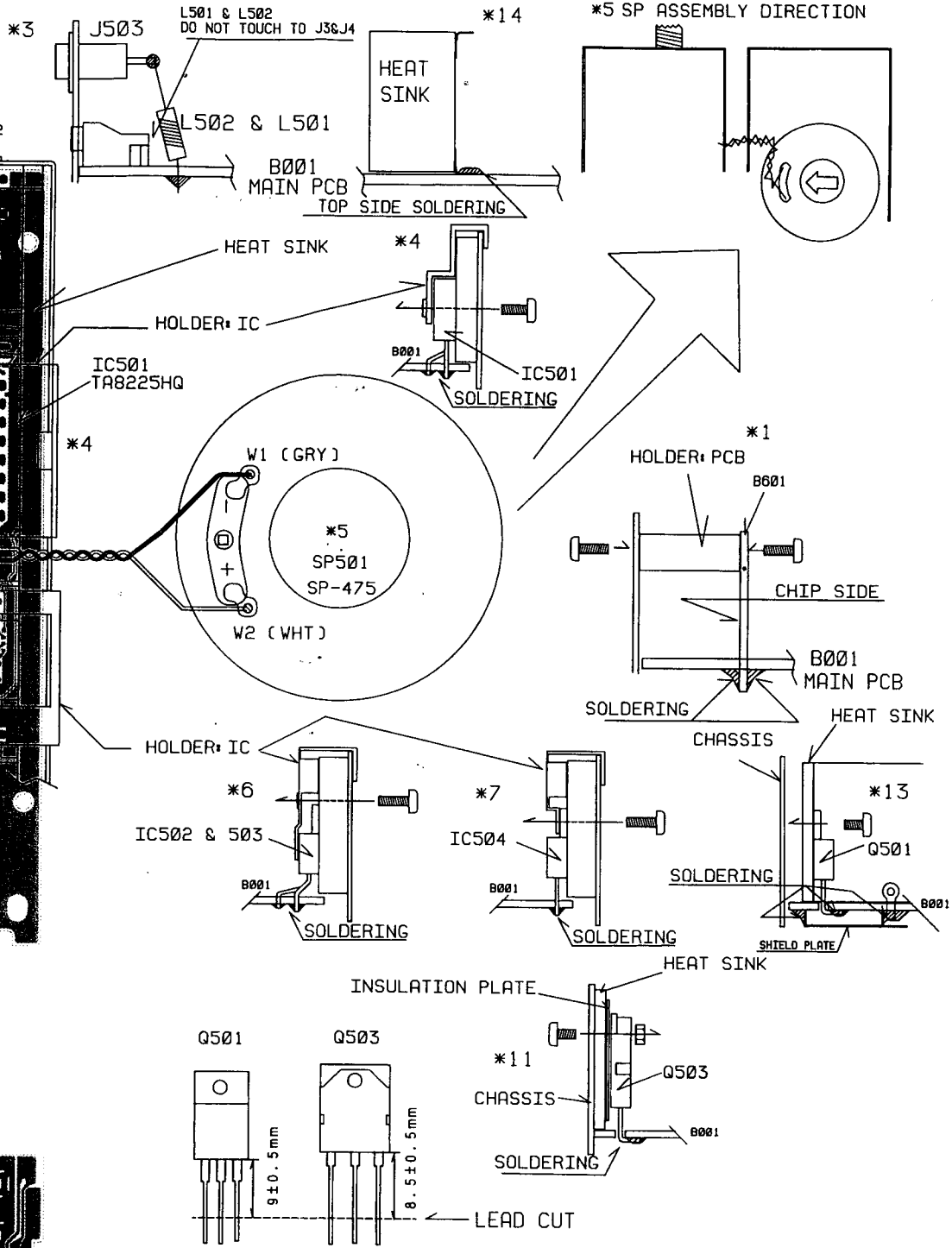
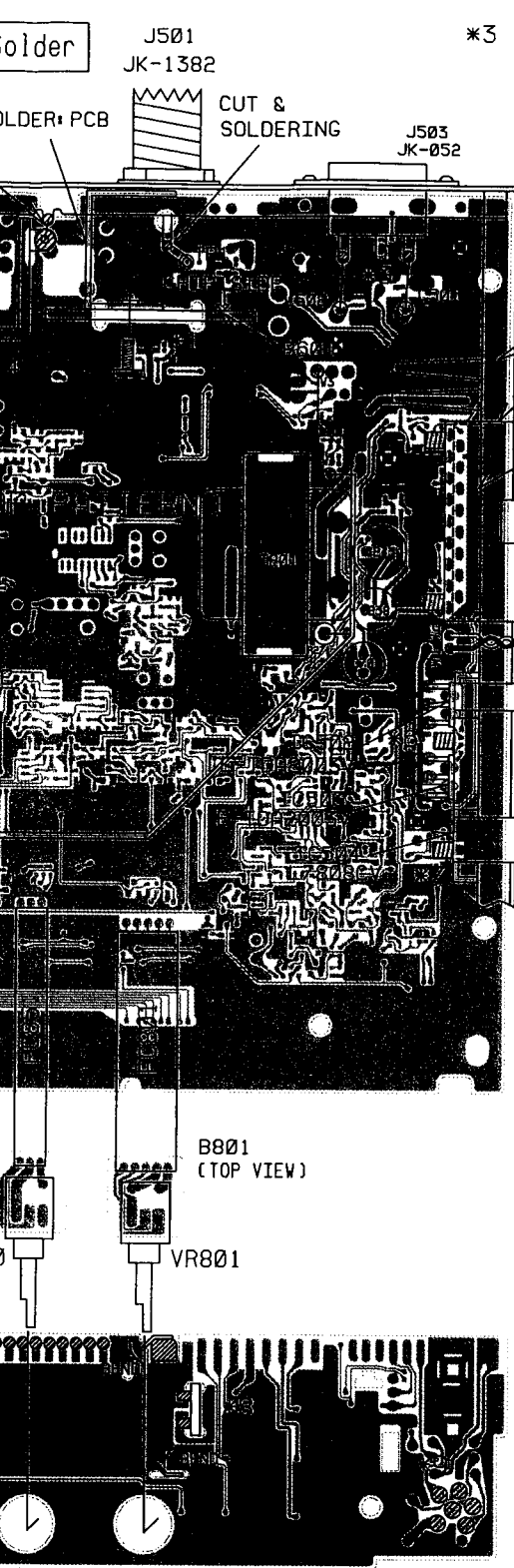
B701(OTHER SIDE)

B551 [BOTTOM VIEW]

551: DL-479
LECTION SHEET
GHTING
GHTING PAPER
OLDER: LIGHTING

4C

4D



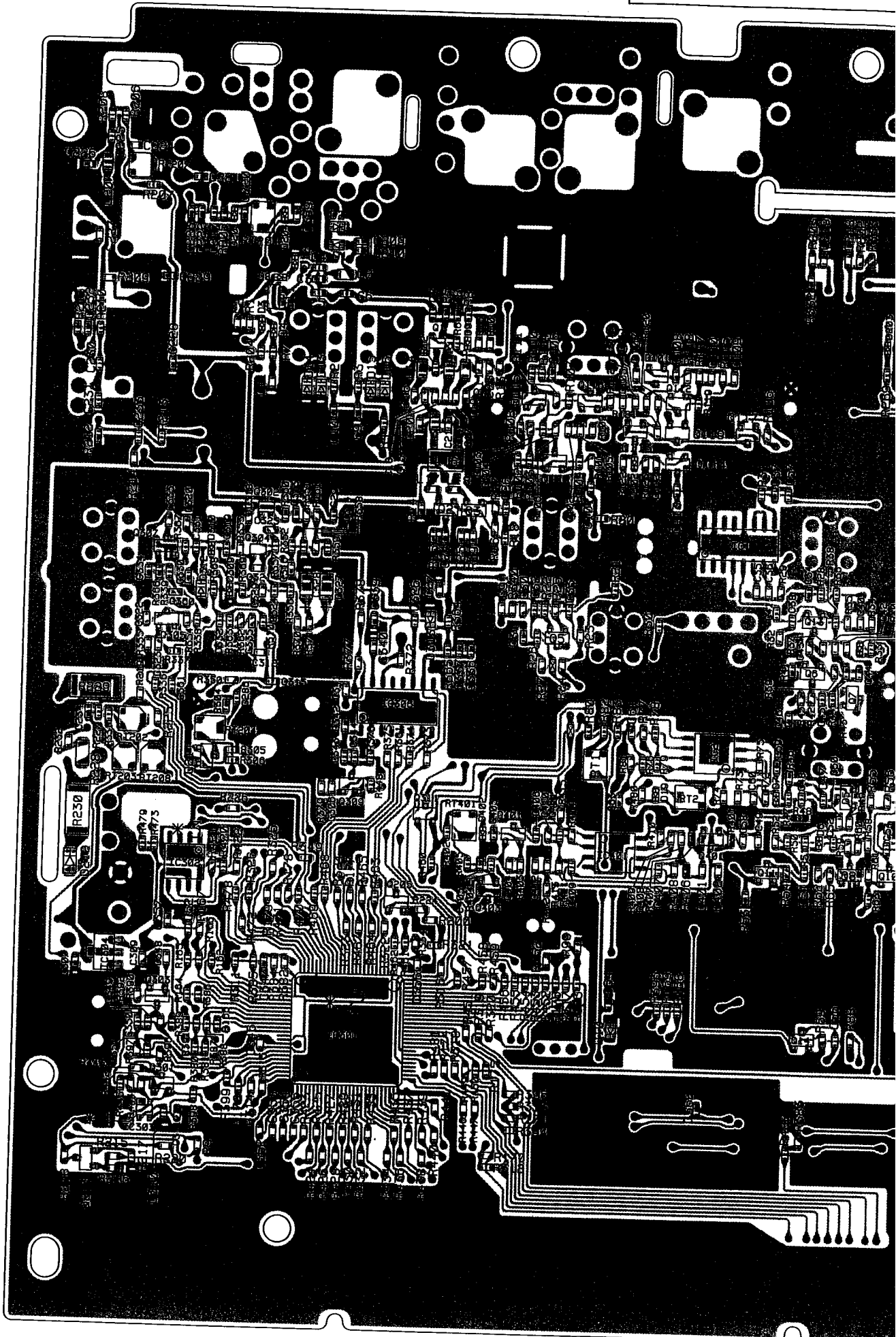
DESIGN. BY	DRAWN. BY	UNIDEN NO.	MODEL NO.
HOKA	HOKA	UT376ZH	JFK II ASC
08/07/02	08/07/02	TITLE	
CHECK. BY	APPRO. BY	WIRING DIAGRAM	
MATSU	NABE	DRAWING NO.	
08/07/02	08/07/02		
REV. NO.		UNIDEN CORP.	

5A

5B

B1 PA-442AA (TOP VIEW)

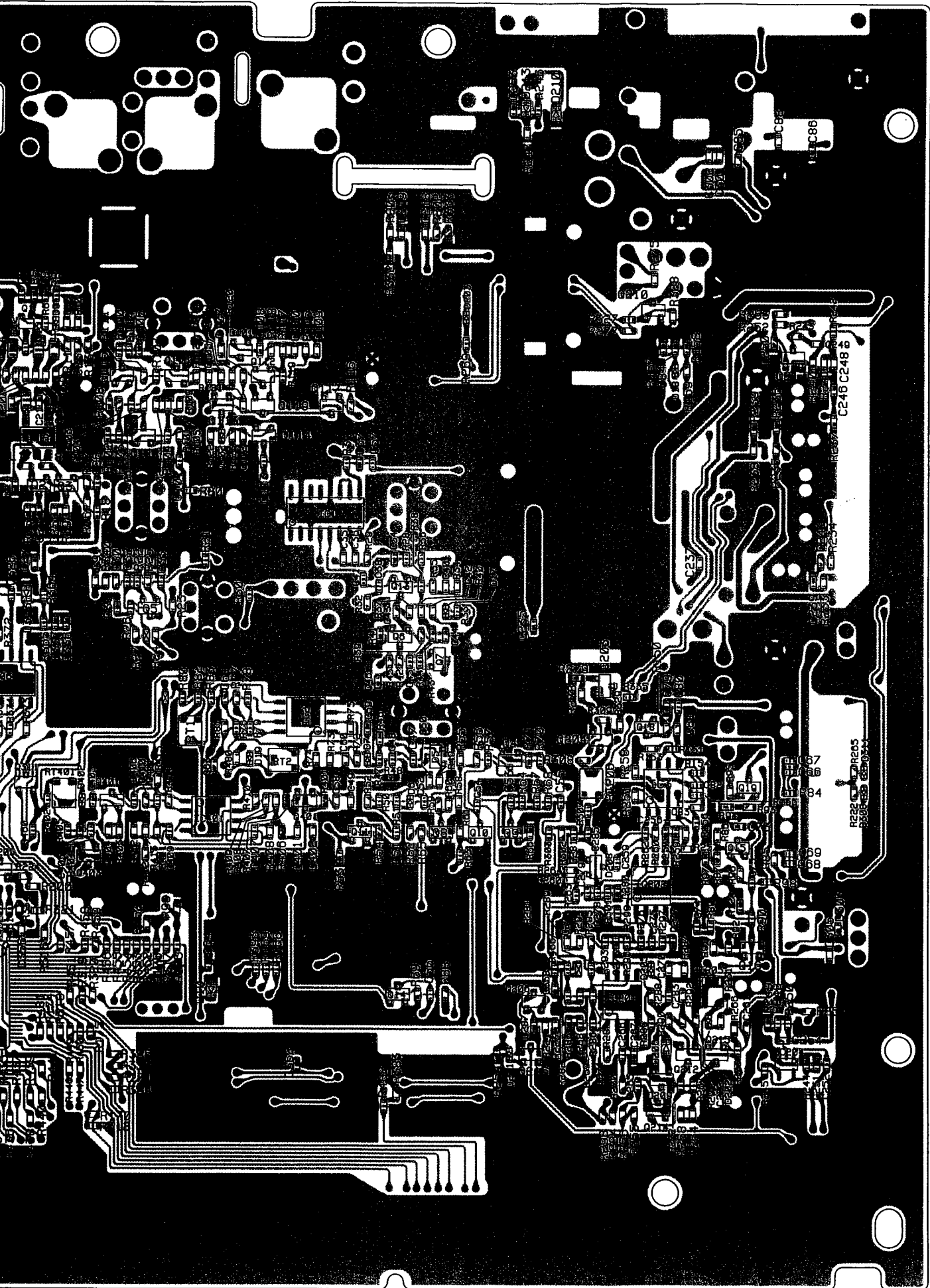
Use Pb



5B

5C

Use Pb Free Solder



*1 IC3

*2 INS
PRO

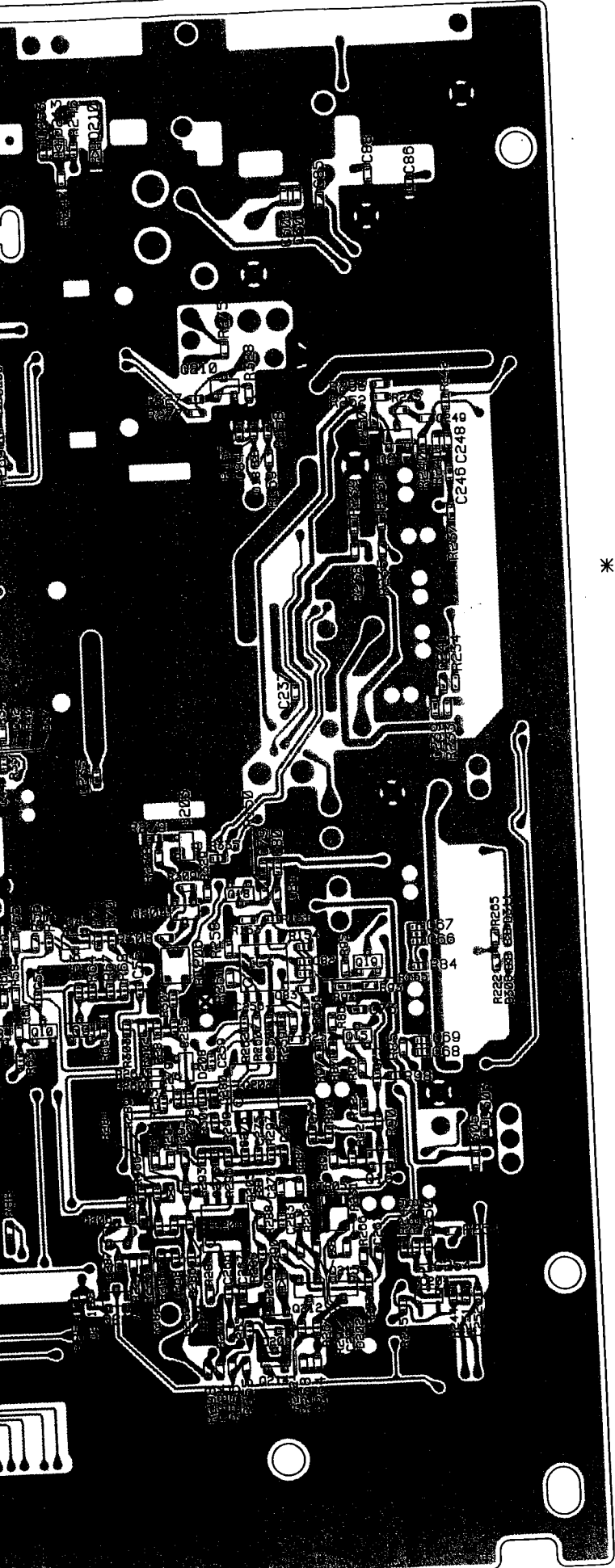
*3 IC3
1P

DESIGN. BY	DR
HOKA	H
'88/07/02	'88
CHECK. BY	AF
WATSU	W
'88/07/02	'88
REV.	
NO.	

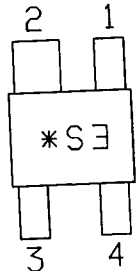
SC

5 D

ree Solder

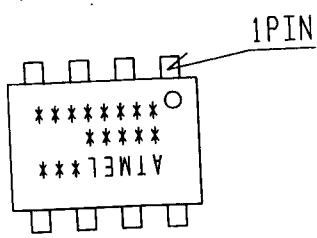


*1 IC303 PIN POSITION



*2 INSTALL IC301 AFTER PROGRAMMING

*3 IC302 MARKING & 1 PIN POSITION



DESIGN. BY HOKA	DRAWN. BY HOKA	UNIDEN NO. UT376ZH	MODEL NO. JFK IASC
CHECK. BY NATSU	APPRO. BY NADE	TITLE MAIN ASS'Y CHIP LAYOUT TOP VIEW	
REV. NO.		DRAWING NO.	
		UNIDEN CORP.	