

PRESIDENT

JOHNSON II

SERVICE MANUAL

- TECHNICAL CHARACTERISTICS

1 - GENERAL:

- **Multiconfiguration (E, d, EU, EC, U, PL)**
- E ⇒ 40 channels AM/FM 4W (from 26,965Mhz to 27,405Mhz)
- d ⇒ 80 channels FM 4W (from 26,565Mhz to 27,405Mhz)
40 channels AM 1W (from 26,965Mhz to 27,405Mhz)
- EU ⇒ 40 channels FM 4W/AM 1W (from 26,965Mhz to 27,405Mhz)
- EC ⇒ 40 channels FM 4W (from 26,965Mhz to 27,405Mhz)
- U ⇒ 40 channels FM 4W (from 26,965Mhz to 27,405Mhz)
40 channels FM 4W (from 27,60125Mhz to 27,99125Mhz)
- PL ⇒ 40 channels AM/FM 4W (from 26,960Mhz to 27,400Mhz)
- **Channel step**
- 10KHz
- **Class of emission**
- AM(A3E)/FM(F3E)
- **Power supply**
- 13,2V (from 10,8V to 15,6V)
- **Antenna impedance**
- 50Ω
- **Dimensions(in mm)**
- 170(W)x150(D)x52(H)
- **Weight**
- 1Kg

2 - TRANSMISSION:

- **Frequency allowance**
- ±300Hz
- **Transmission interference**
- Inferior to 4nW(-54dBm)
- **Audio frequency response**
- From 300Hz to 3kHz in AM/FM
- **Emitted power in the adjacent channel**
- Inferior to 20μW
- **Microphone sensitivity**
- Inferior to 10mV
- **Current drain**
- 2A(in transmission mode with modulation)
- **Modulated signal distortion**
- Inferior to 2%

3 - RECEPTION:

-Maximum sensitivity at 20dB sinad

-0,5 μ V(-113dBm) AM/FM

-Audio frequency response

-From 300Hz to 3kHz in AM/FM

-Adjacent channel selectivity

-Superior to 60dB

-Frequency image rejection

-Superior to 60dB

-Intermodulation response

-Superior to 54dB

-Maximum audio power

-5W

-Squelch sensitivity

-Threshold 0,2 μ V(-120dBm)/Tight 1mV(-47dBm)

-Current drain

-400mA nominal/1000mA maximum

ALIGNMENT PROCEDURE (JOHNSON II)

* VCO/PLL PORTION

- Alignment procedure
 - Test points
 - Frequencies chart

* TRANSMITTER

- Alignment procedure
 - Test points

* RECEIVER

- Alignment procedure
 - Test points

Test equipment required

Frequency counter 200 Mhz	HF Generator
DC Voltmeter	BF Voltmeter
Distortimeter	HF Voltmeter
Wattmeter - Dummy load	Osilloscope
FM linear detector	Load 8 Ω
AF generator	Sinad meter

Conditions of Measurements on HF Generator

Reception

AM mode: Level - 107 dBm Frequency 1 KHz with 60% of modulation.

FM mode: Level - 107 dBm Frequency 1 KHz with 1,2KHz of deviation.

Transmission

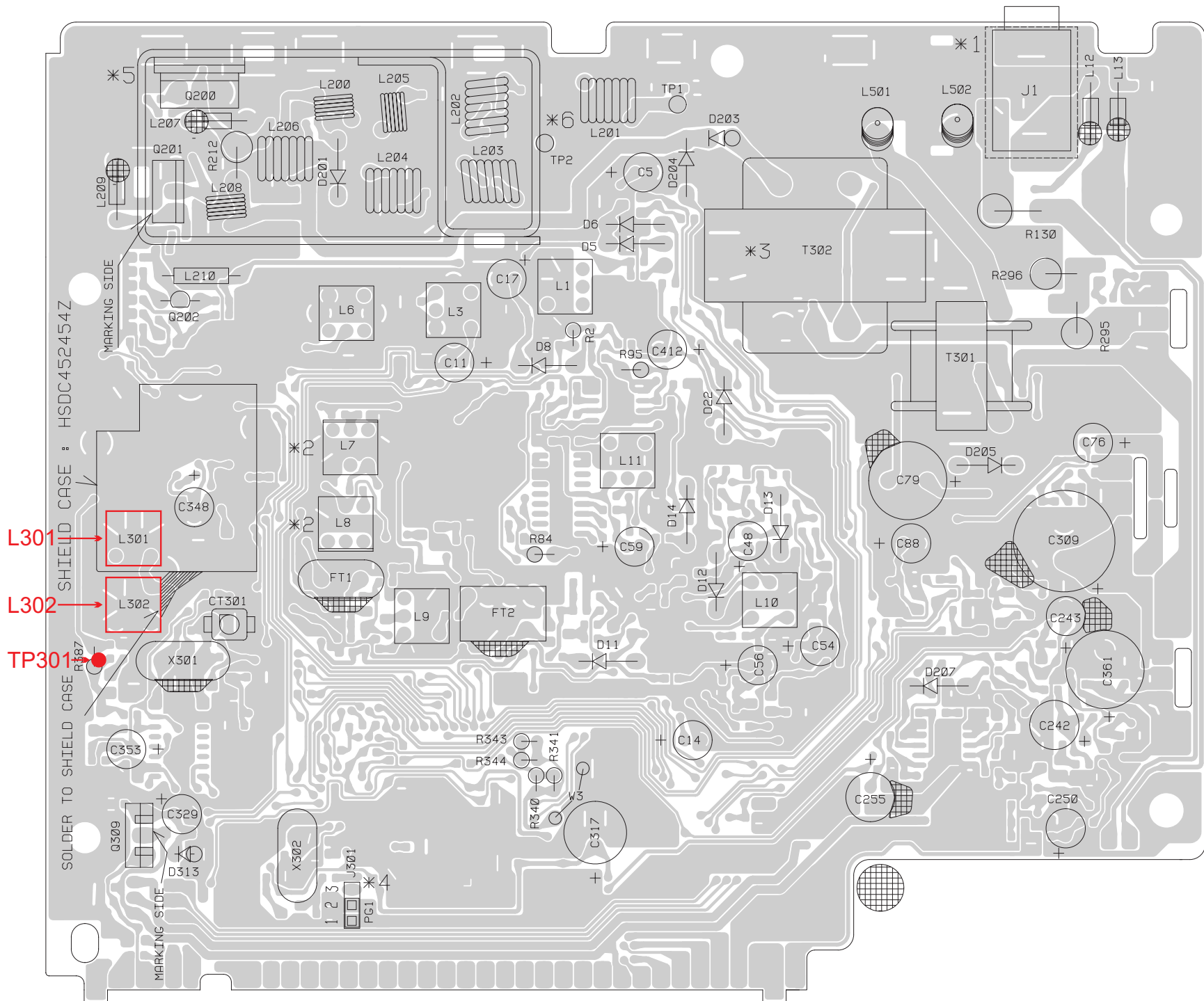
Frequency 1 KHz 30mV.

ALIGNMENT VCO/PLL

1 - Alignment procedure(13,2V;configuration"EU,E,d")

STEP	CONDITION	ADJUSTMENT	REMARKS OF ADJUSTMENT
1	FM(EU,E) TX mode Channel 40	L302	Connect a voltmeter to TP 301, adjust L302 to reach $2V \pm 0,2V$.
2	FM(EU,E) RX mode Channel 40	L301	Connect a voltmeter to TP 301, adjust L301 to reach $2,3V \pm 0,2V$.
3	FM(EU,E) TX/RX mode Channel 1		Connect a voltmeter to TP 301,and check: Rx Channel 1= $2V \pm 0,2V$ Tx Channel 1= $1,7V \pm 0,2V$
4	FM(EU,E) RX mode Channel 20	CT301	Connect a frequency counter to TP302,and adjust CT301 to reach 37,900MHz.
5	FM(EU,E) TX/RX mode Channel 1 to 40 or 1 to 80(d)		Connect a frequency counter to TP302,and check frequencies.

VCO/PLL ALIGNMENT POINTS



- FREQUENCY LIST (EU,E,EC)

CH	Channels Frequencies (MHz)	VCO Frequencies (MHz)
1	26,965	37,660
2	26,975	37,670
3	26,985	37,680
4	27,005	37,700
5	27,015	37,710
6	27,025	37,720
7	27,035	37,730
8	27,055	37,750
9	27,065	37,760
10	27,075	37,770
11	27,085	37,780
12	27,105	37,800
13	27,115	37,810
14	27,125	37,820
15	27,135	37,830
16	27,155	37,850
17	27,165	37,860
18	27,175	37,870
19	27,185	37,880
20	27,205	37,900
21	27,215	37,910
22	27,225	37,930
23	27,255	37,950
24	27,235	37,930
25	27,245	37,940
26	27,265	37,960
27	27,275	37,970
28	27,285	37,980
29	27,295	37,990
30	27,305	38,000
31	27,315	38,010
32	27,325	38,020
33	27,335	38,030
34	27,345	38,040
35	27,355	38,050
36	27,365	38,060
37	27,375	38,070
38	27,385	38,080
39	27,395	38,090
40	27,405	38,100

- FREQUENCY LIST (PL)

CH	Channels Frequencies (MHz)	VCO Frequencies (MHz)
1	26,960	37,655
2	26,970	37,665
3	26,980	37,675
4	27,000	37,695
5	27,010	37,705
6	27,020	37,715
7	27,030	37,725
8	27,050	37,745
9	27,060	37,755
10	27,070	37,765
11	27,080	37,775
12	27,100	37,795
13	27,110	37,805
14	27,120	37,815
15	27,130	37,825
16	27,150	37,845
17	27,160	37,855
18	27,170	37,865
19	27,180	37,875
20	27,200	37,895
21	27,210	37,905
22	27,220	37,915
23	27,250	37,945
24	27,230	37,925
25	27,240	37,935
26	27,260	37,955
27	27,270	37,965
28	27,280	37,975
29	27,290	37,985
30	27,300	37,995
31	27,310	38,005
32	27,320	38,015
33	27,330	38,025
34	27,340	38,035
35	27,350	38,045
36	27,360	38,055
37	27,370	38,065
38	27,380	38,075
39	27,390	38,085
40	27,400	38,095

- FREQUENCY LIST (U)

CH CEPT	Channels Frequencies (MHz)	VCO Frequencies (MHz)
1	26,965	37,660
2	26,975	37,670
3	26,985	37,680
4	27,005	37,700
5	27,015	37,710
6	27,025	37,720
7	27,035	37,730
8	27,055	37,750
9	27,065	37,760
10	27,075	37,770
11	27,085	37,780
12	27,105	37,800
13	27,115	37,810
14	27,125	37,820
15	27,135	37,830
16	27,155	37,850
17	27,165	37,860
18	27,175	37,870
19	27,185	37,880
20	27,205	37,900
21	27,215	37,910
22	27,225	37,930
23	27,255	37,950
24	27,235	37,930
25	27,245	37,940
26	27,265	37,960
27	27,275	37,970
28	27,285	37,980
29	27,295	37,990
30	27,305	38,000
31	27,315	38,010
32	27,325	38,020
33	27,335	38,030
34	27,345	38,040
35	27,355	38,050
36	27,365	38,060
37	27,375	38,070
38	27,385	38,080
39	27,395	38,090
40	27,405	38,100

- FREQUENCY LIST (U)

CH ENG	Channels Frequencies (MHz)	VCO Frequencies (MHz)
1	27,60125	38,29625
2	27,61125	38,30625
3	27,62125	38,31625
4	27,63125	38,32625
5	27,64125	38,33625
6	27,65125	38,34625
7	27,66125	38,35625
8	27,67125	38,36625
9	27,68125	38,37625
10	27,69125	38,38625
11	27,70125	38,39625
12	27,71125	38,40625
13	27,72125	38,41625
14	27,73125	38,42625
15	27,74125	38,43625
16	27,75125	38,44625
17	27,76125	38,45625
18	27,77125	38,46625
19	27,78125	38,47625
20	27,79125	38,48625
21	27,80125	38,49625
22	27,81125	38,50625
23	27,82125	38,51625
24	27,83125	38,52625
25	27,84125	38,53625
26	27,85125	38,54625
27	27,86125	38,55625
28	27,87125	38,56625
29	27,88125	38,57625
30	27,89125	38,58625
31	27,90125	38,59625
32	27,91125	38,60625
33	27,92125	38,61625
34	27,93125	38,62625
35	27,94125	38,63625
36	27,95125	38,64625
37	27,96125	38,65625
38	27,97125	38,66625
39	27,98125	38,67625
40	27,99125	38,68625

- FREQUENCY LIST (d)

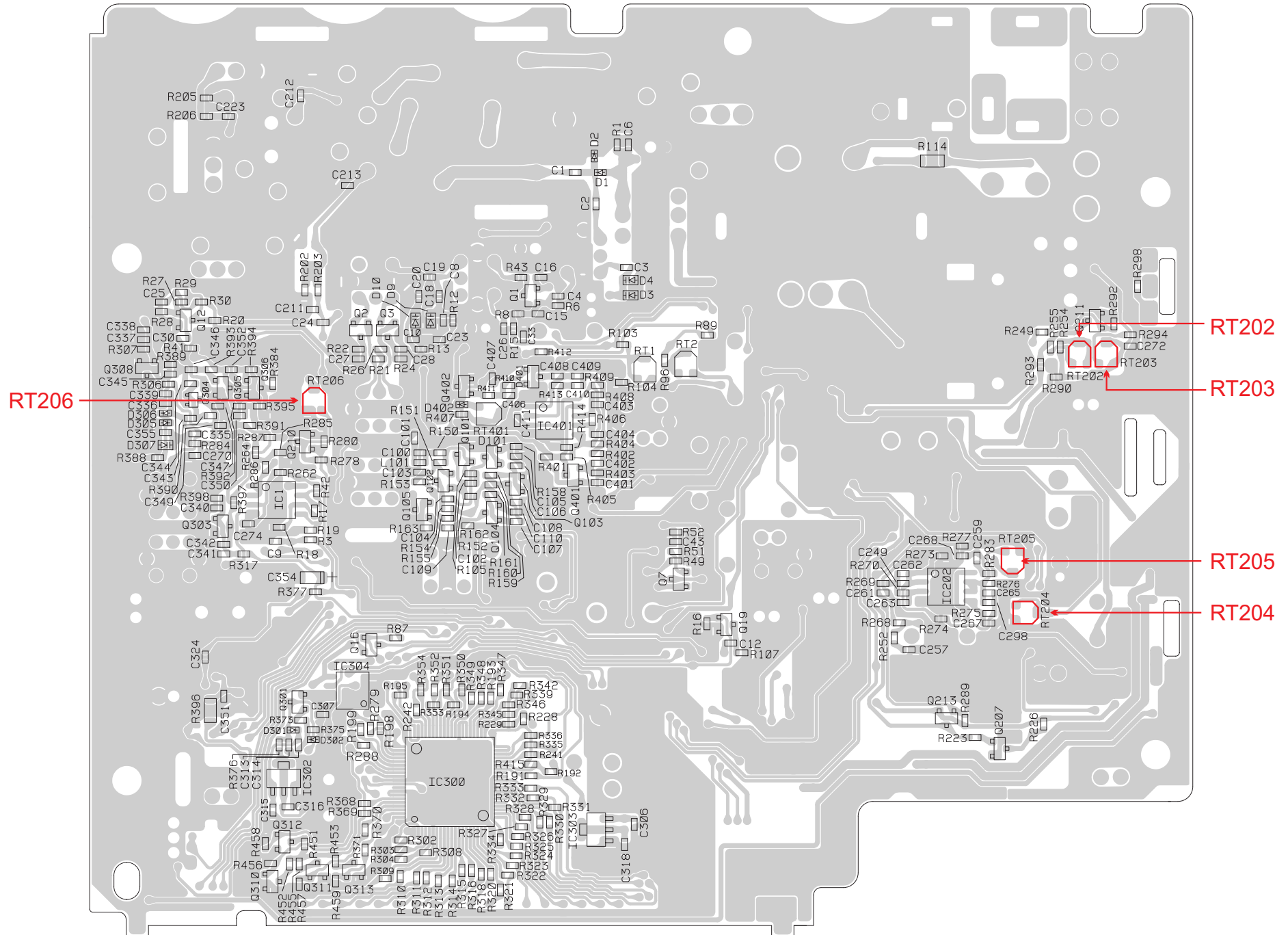
CH	Channels	VCO	CH	Channels	VCO
d	Frequencies (MHz)	Frequencies (MHz)	D	Frequencies (MHz)	Frequencies (MHz)
1	26,965	37,660	41	26,565	37,260
2	26,975	37,670	42	26,575	37,270
3	26,985	37,680	43	26,585	37,280
4	27,005	37,70	44	26,595	37,290
5	27,015	37,710	45	26,605	37,300
6	27,025	37,720	46	26,615	37,310
7	27,035	37,730	47	26,625	37,320
8	27,055	37,750	48	26,635	37,330
9	27,065	37,760	49	26,645	37,340
10	27,075	37,770	50	26,655	37,350
11	27,085	37,780	51	26,665	37,360
12	27,105	37,800	52	26,675	37,370
13	27,115	37,810	53	26,685	37,380
14	27,125	37,820	54	26,695	37,390
15	27,135	37,830	55	26,705	37,400
16	27,155	37,850	56	26,715	37,410
17	27,165	37,860	57	26,725	37,420
18	27,175	37,870	58	26,735	37,430
19	27,185	37,880	59	26,745	37,440
20	27,205	37,900	60	26,755	37,450
21	27,215	37,910	61	26,765	37,460
22	27,225	37,930	62	26,775	37,470
23	27,255	37,950	63	26,785	37,480
24	27,235	37,930	64	26,795	37,490
25	27,245	37,940	65	26,805	37,500
26	27,265	37,960	66	26,815	37,510
27	27,275	37,970	67	26,825	37,520
28	27,285	37,980	68	26,835	37,530
29	27,295	37,990	69	26,845	37,540
30	27,305	38,000	70	26,855	37,550
31	27,315	38,010	71	26,865	37,560
32	27,325	38,020	72	26,875	37,570
33	27,335	38,030	73	26,885	37,580
34	27,345	38,040	74	26,895	37,590
35	27,355	38,050	75	26,905	37,600
36	27,365	38,060	76	26,915	37,610
37	27,375	38,070	77	26,925	37,620
38	27,385	38,080	78	26,935	37,630
39	27,395	38,090	79	26,945	37,640
40	27,405	38,100	80	26,955	37,650

ALIGNMENT TRANSMITTER

1 - Alignment procedure(13,2V;configuration"EU,E")

STEP	CONDITION	ADJUSTMENT	REMARKS OF ADJUSTMENT
1	AM(EU) Channel 20	RT202(LOW)	Connect a wattmeter to jack antenna, adjust RT202 to reach 1W on the wattmeter.
2	FM(EU) Channel 20	RT203(HI)	Connect a wattmeter to jack antenna, adjust RT203 to reach 4W on the wattmeter.
3	FM(EU) Mod 30 mV 1 KHz CH 20	RT206(DEV)	Adjust RT206 to reach +/- 1,2KHz of deviation.
4	AM(EU) Mod 30 mV 1 KHz CH 20	RT204(AMC)	Adjust RT204 to reach +/- 90% of modulation.
5	AM(E) Mod 30 mV 1 KHz CH 20	RT205(ALC)	Adjust RT205 to reach +/- 90% of modulation.

TRANSMITTER ALIGNMENT POINTS

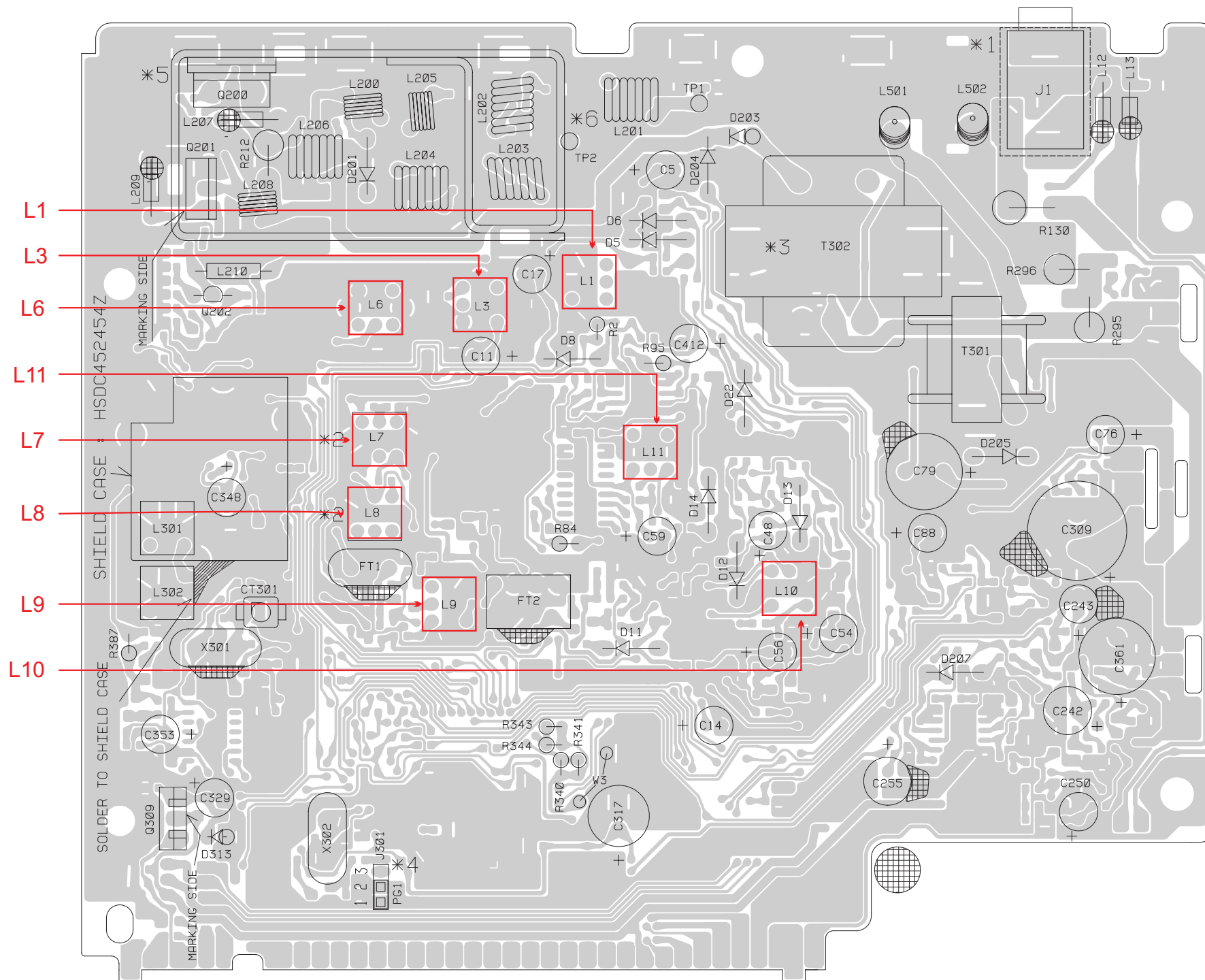


ALIGNMENT RECEIVER

1 - Alignment procedure(13,2V;configuration"EU,E,d")

STEP	CONDITION	ADJUSTMENT	REMARKS OF ADJUSTMENT
1	AM(EU,E) Channel 20 Middle volume level. No squelch active	L1-L3-L6 L7-L8-L9-L10	Connect HF generator to jack antenna adjusted at (-107dBm 1KHz 60%), connect sinad meter to jack EXT speaker and adjust coils for maximum sensitivity(≥ 20 dB sinad).
2	FM(EU,E) Channel 20 Middle volume level No squelch active	L 11	Connect HF generator to jack antenna adjusted at (-107dBm 1KHz 1,2KHz Dev),connect sinad meter to jack EXT speaker and adjust L11 for maximum sensitivity(≥ 20 dB sinad).
3	AM(EU,E) Channel 20 Middle volume level No squelch active	RT2(S-METER)	Connect HF generator to jack antenna adjusted at (-67dBm 1KHz 60%) and adjust RT2 so that S9 on Smeter.
4	AM(EU,E) Channel 20 Middle volume level Squelch maximum clockwise	RT1(SQ)	Connect HF generator to jack antenna adjusted at (-47dBm 1KHz 60%) and adjust RT1 so that the signal is audible .
5	AM(EU,E) Channel 20 Middle volume level Squelch maximum counterclockwise (ASC)	RT401(ASC)	Connect HF generator to jack antenna . Connect sinad meter to jack EXT speaker, adjust the ouput level of HF generator and adjust RT401 to reach at the opening ASC a sinad of $17\text{dB} \pm 2\text{dB}$.

RECEIVER ALIGNMENT POINTS

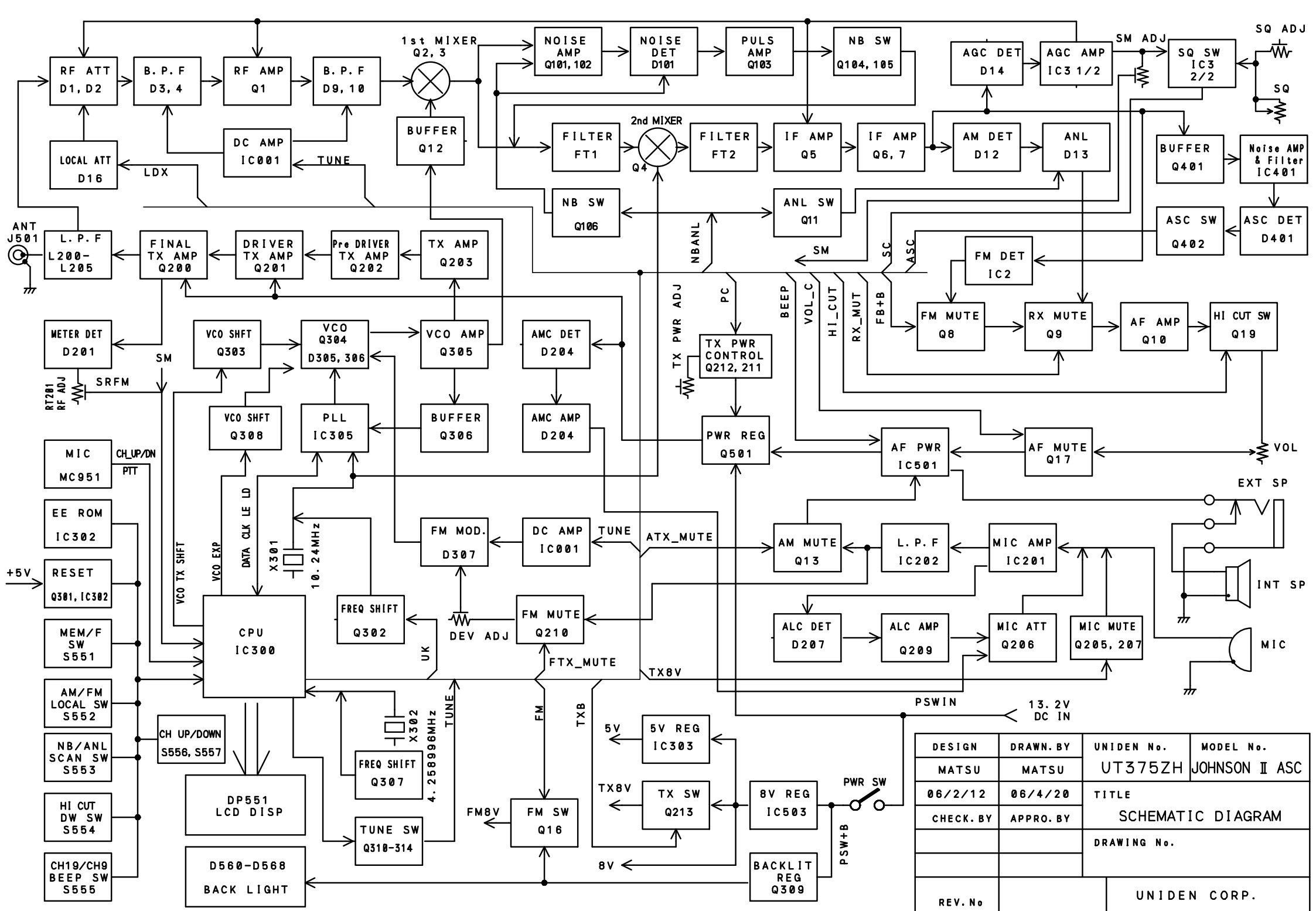


RECEIVER ALIGNMENT POINTS



JOHNSON II

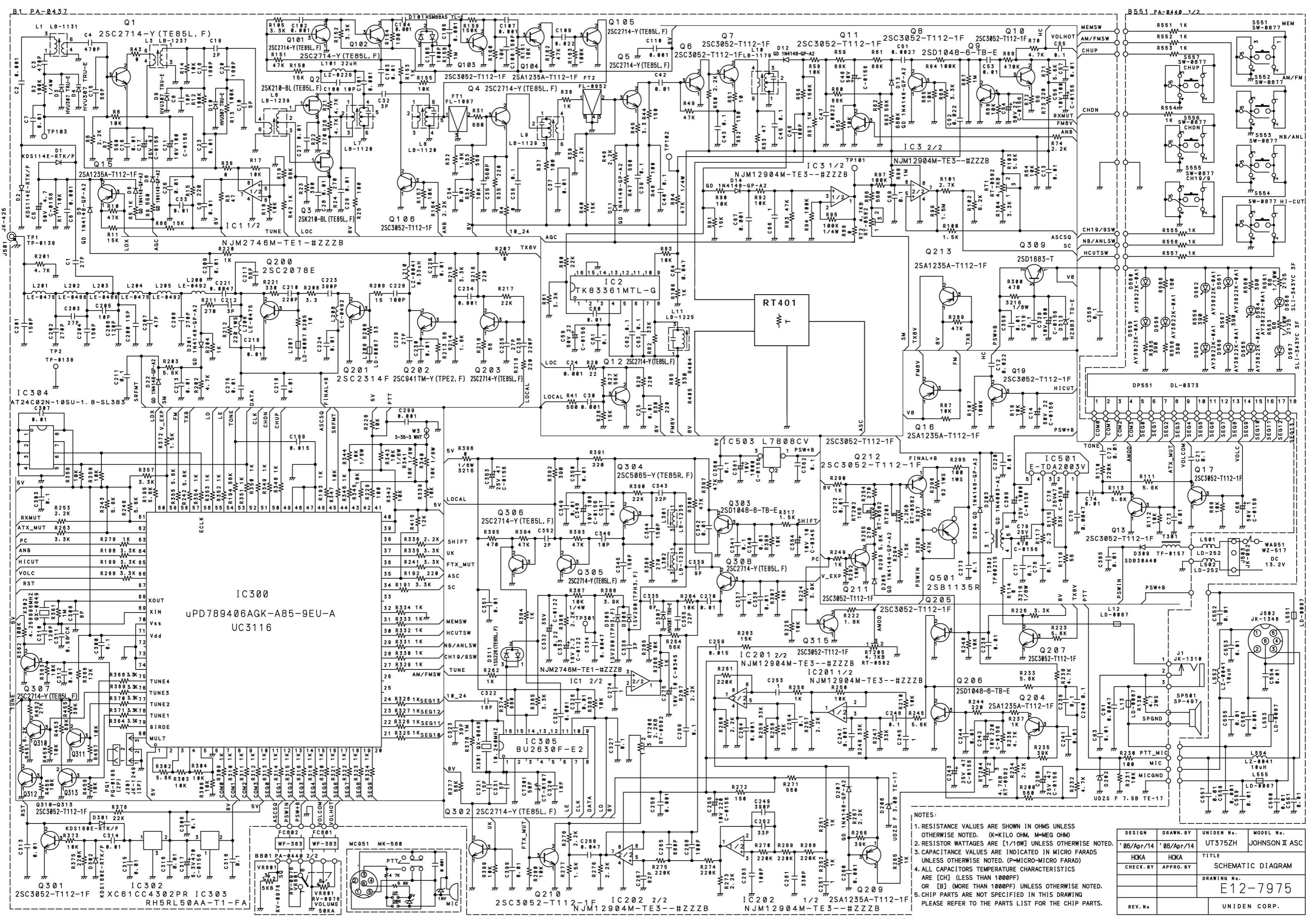
BLOC DIAGRAM



DESIGN	DRAWN BY	UNIDEN No.	MODEL No.
MATSU	MATSU	UT375ZH	JOHNSON II ASC
06/2/12	06/4/20	TITLE	
CHECK BY	APPRO BY	SCHEMATIC DIAGRAM	
		DRAWING No.	
REV. No		UNIDEN CORP.	

JOHNSON II

SCHEMATIC DIAGRAM



IC304 AT24C02N-10SU-1.8-SL383

IC300 uPD789406AGK-A85-9EU-A UC3116

Q301 2SC3052-T112-1F IC302 KDC61CC4302PR IC303 RH5RL50AA-T1-FA

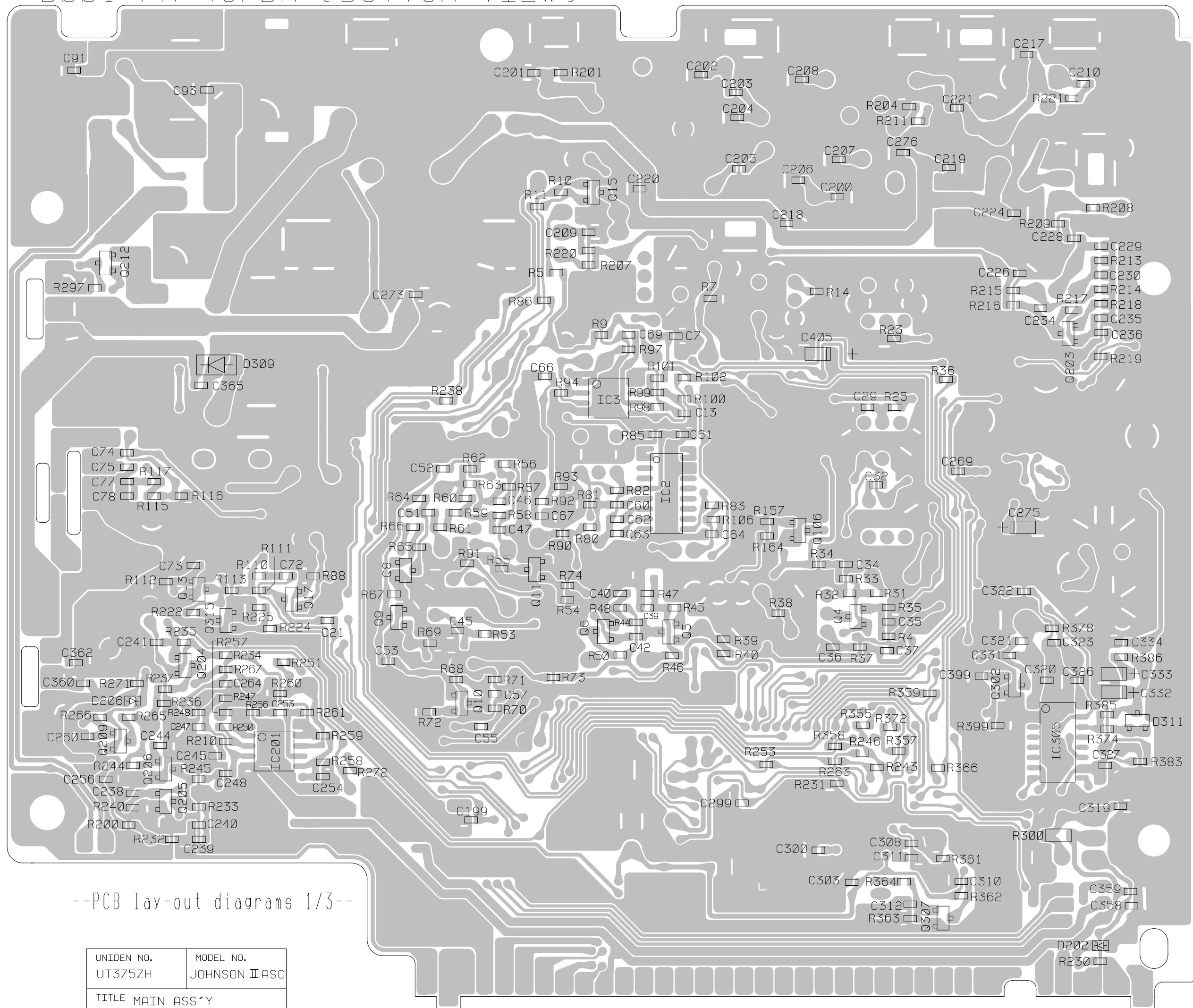
- NOTES:
1. RESISTANCE VALUES ARE SHOWN IN OHMS UNLESS OTHERWISE NOTED. (K=KILO OHM, M=MEG OHM)
 2. RESISTOR WATTAGES ARE [1/16W] UNLESS OTHERWISE NOTED.
 3. CAPACITANCE VALUES ARE INDICATED IN MICRO FARADS UNLESS OTHERWISE NOTED. (P=MICRO-MICRO FARAD)
 4. ALL CAPACITORS TEMPERATURE CHARACTERISTICS ARE [C] (LESS THAN 1000PF) OR [B] (MORE THAN 1000PF) UNLESS OTHERWISE NOTED.
 5. CHIP PARTS ARE NOT SPECIFIED IN THIS DRAWING PLEASE REFER TO THE PARTS LIST FOR THE CHIP PARTS.

DESIGN	DRAWN BY	UNIDEN No.	MODEL No.
06/Apr/14	06/Apr/14	UT375ZH	JOHNSON II ASC
HOKA	HOKA	TITLE	SCHMATIC DIAGRAM
CHECK BY	APPRO. BY	DRAWING No.	E12-7975
REV. No		UNIDEN CORP.	

JOHNSON II

COMPONENT LAYOUT

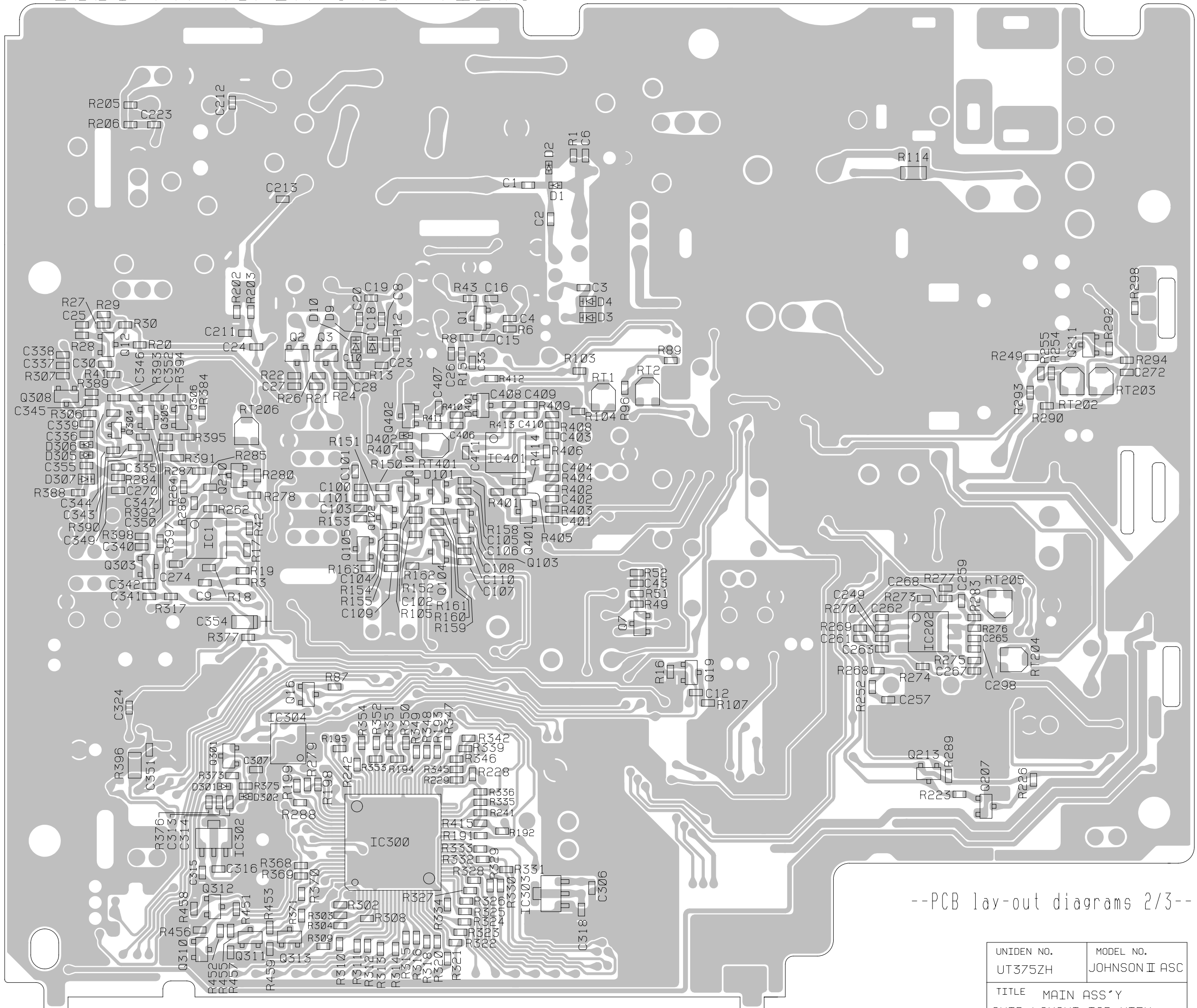
B001 PA-437BA (BOTTOM VIEW)



--PCB lay-out diagrams 1/3--

UNIDEN NO. UT375ZH	MODEL NO. JOHNSON II ASC
TITLE MAIN ASS'Y CHIP LAYOUT BOTTOM VIEW	

B001 PA-437BA (TOP VIEW)

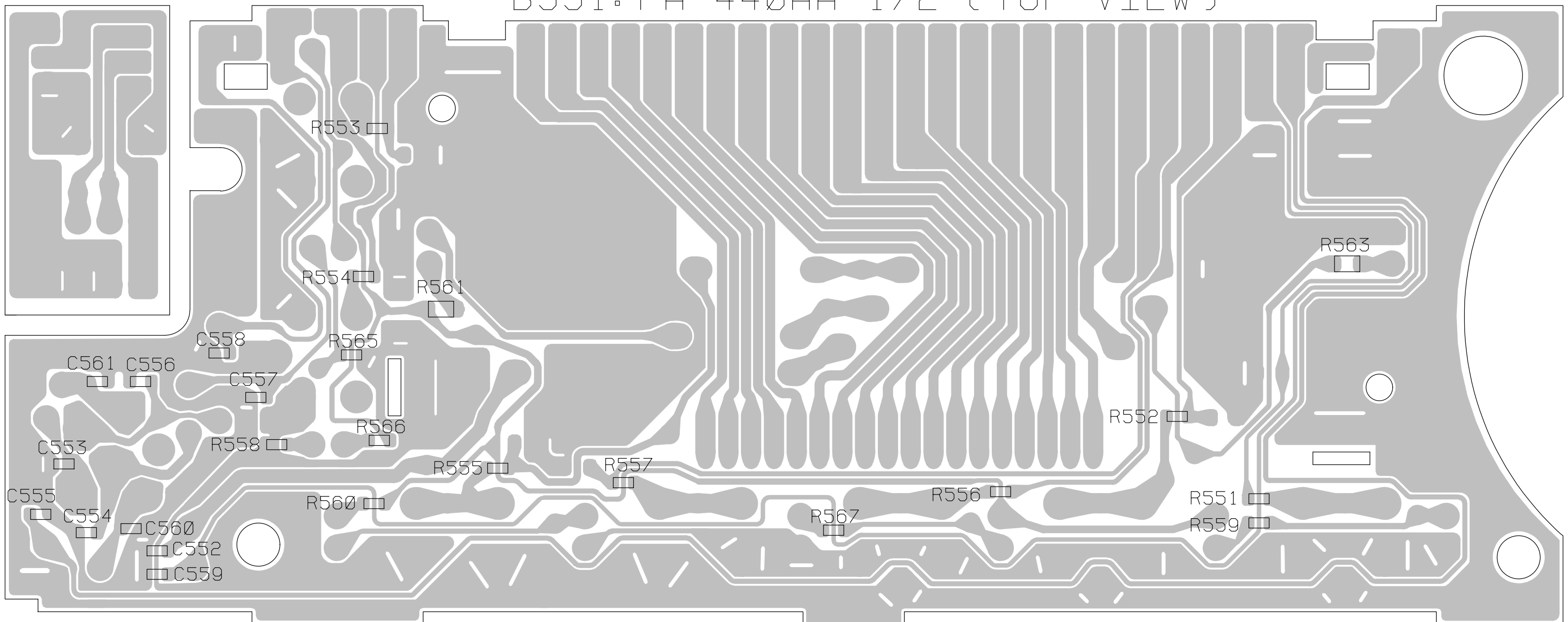


--PCB lay-out diagrams 2/3--

UNIDEN NO. UT375ZH	MODEL NO. JOHNSON II ASC
TITLE MAIN ASS'Y CHIP LAYOUT TOP VIEW	

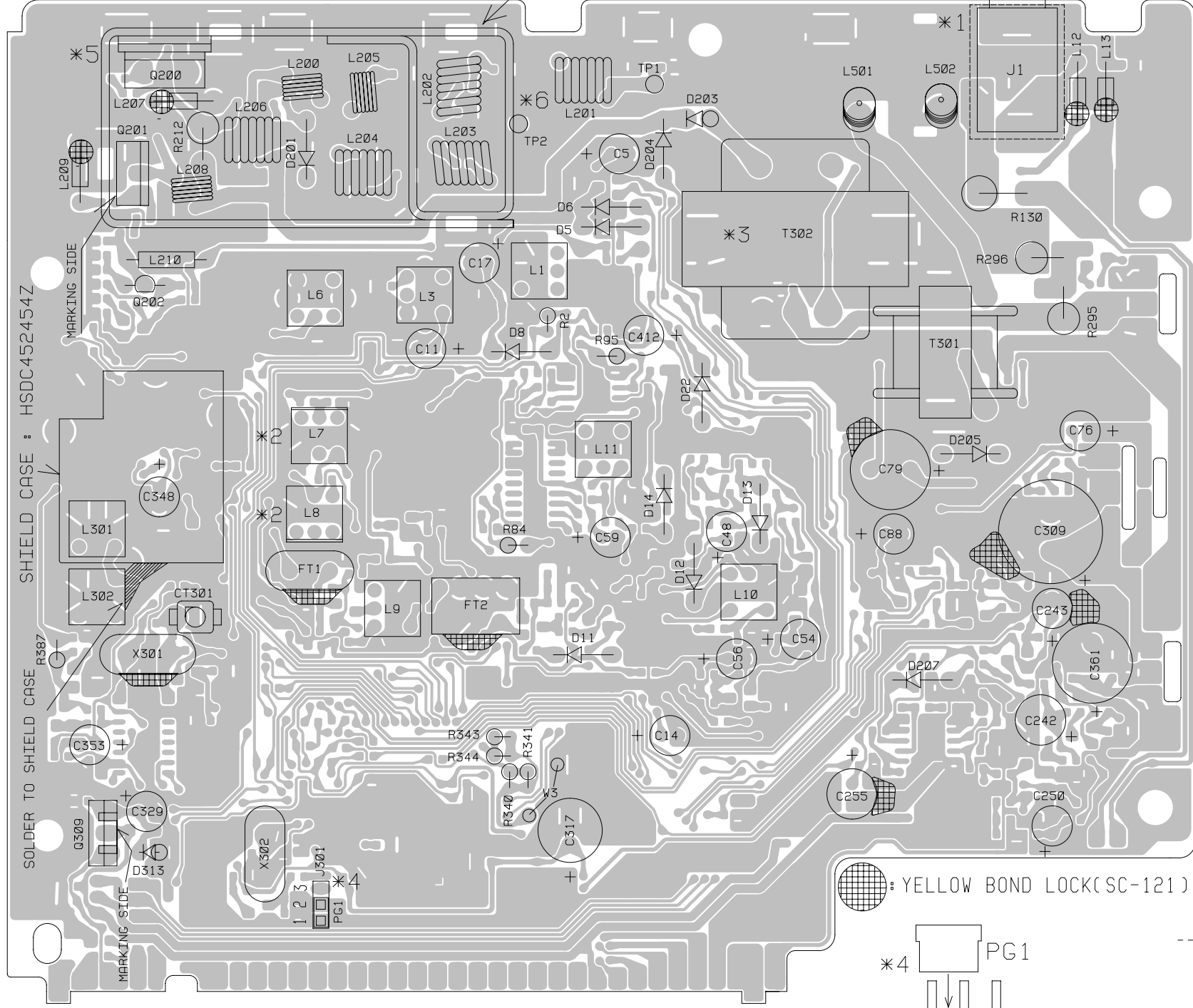
B801: PA-440AA
2/2 (TOP VIEW)

B551: PA-440AA 1/2 (TOP VIEW)



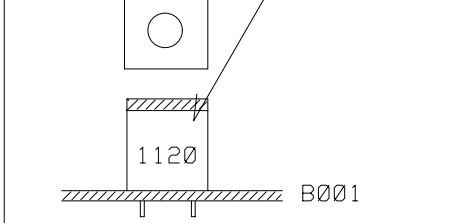
--PCB lay-out diagrams 3/3--

UNIDEN NO. UT375ZH	MODEL NO. JOHNSON II ASC
TITLE FRONT/VOL ASS'Y CHIP LAYOUT BOTTOM VIEW	

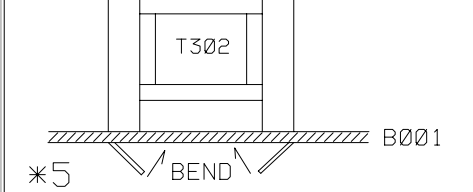


*1 PUT JAPANESE TAPE UNDER J1

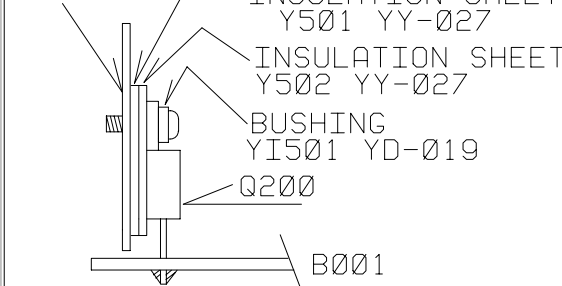
*2



*3

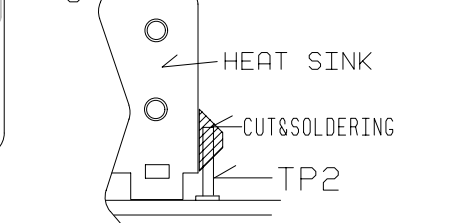


*5

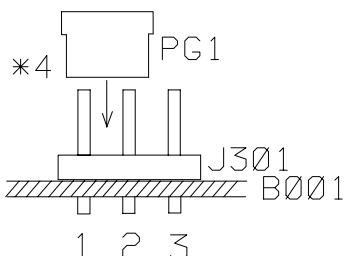


* APPLY THERMAL COMPOUND Y501, 502: BOTH SIDE

*6



YELLOW BOND LOCK(SC-121)



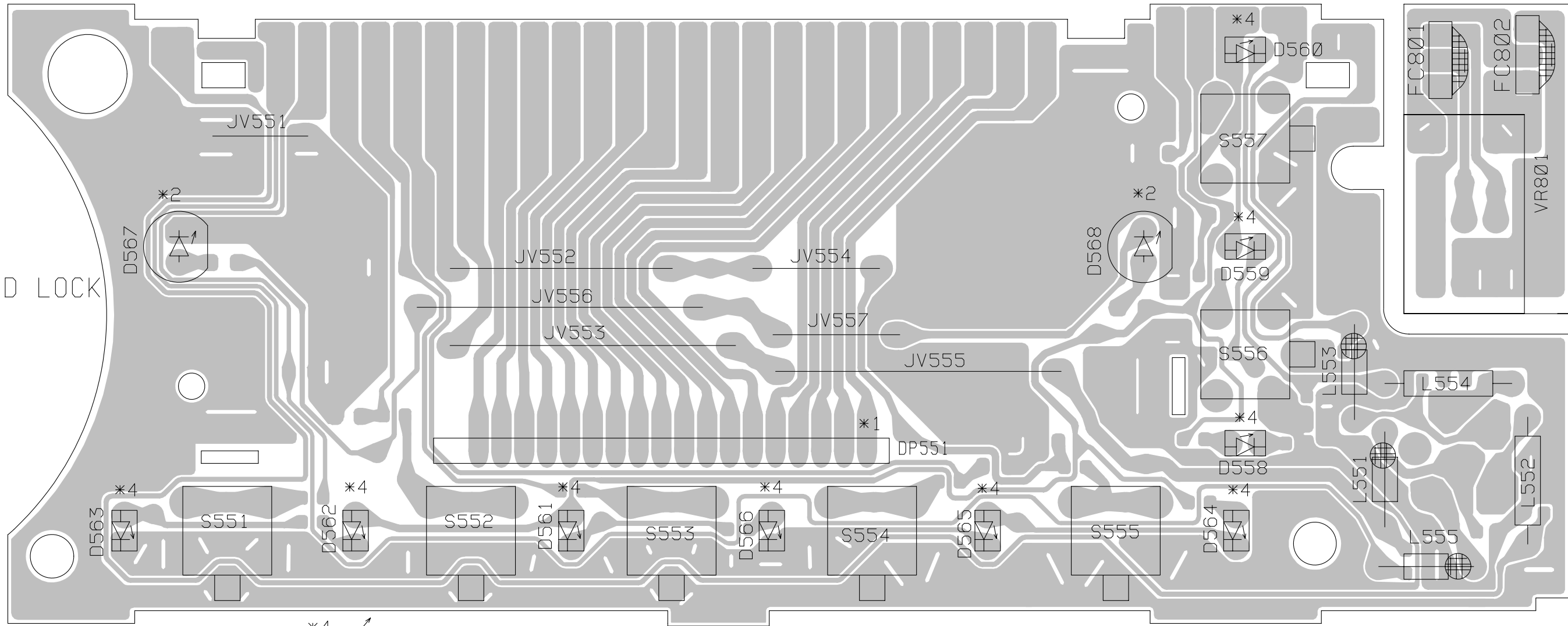
--Component insertion diagrams 1/2--

UNIDEN NO. UT375ZH	MODEL NO. JOHNSON II ASC
TITLE MAIN ASS'Y	
PARTS ASS'Y TOP VIEW	

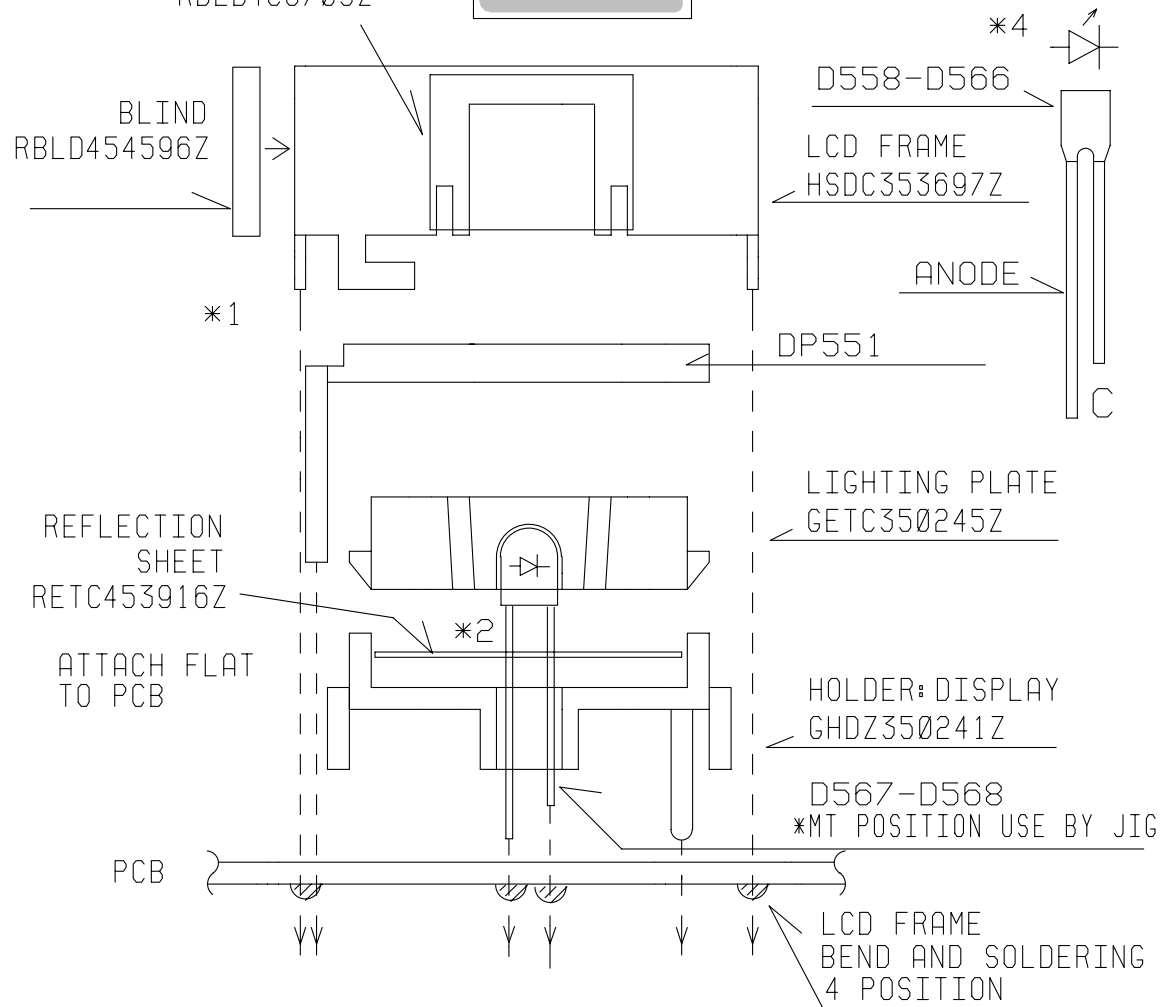
B551: PA-440AA 1/2 (TOP VIEW)

B801: PA-440AA
2/2 (TOP VIEW)

 YELLOW BOND LOCK
(SC-121)

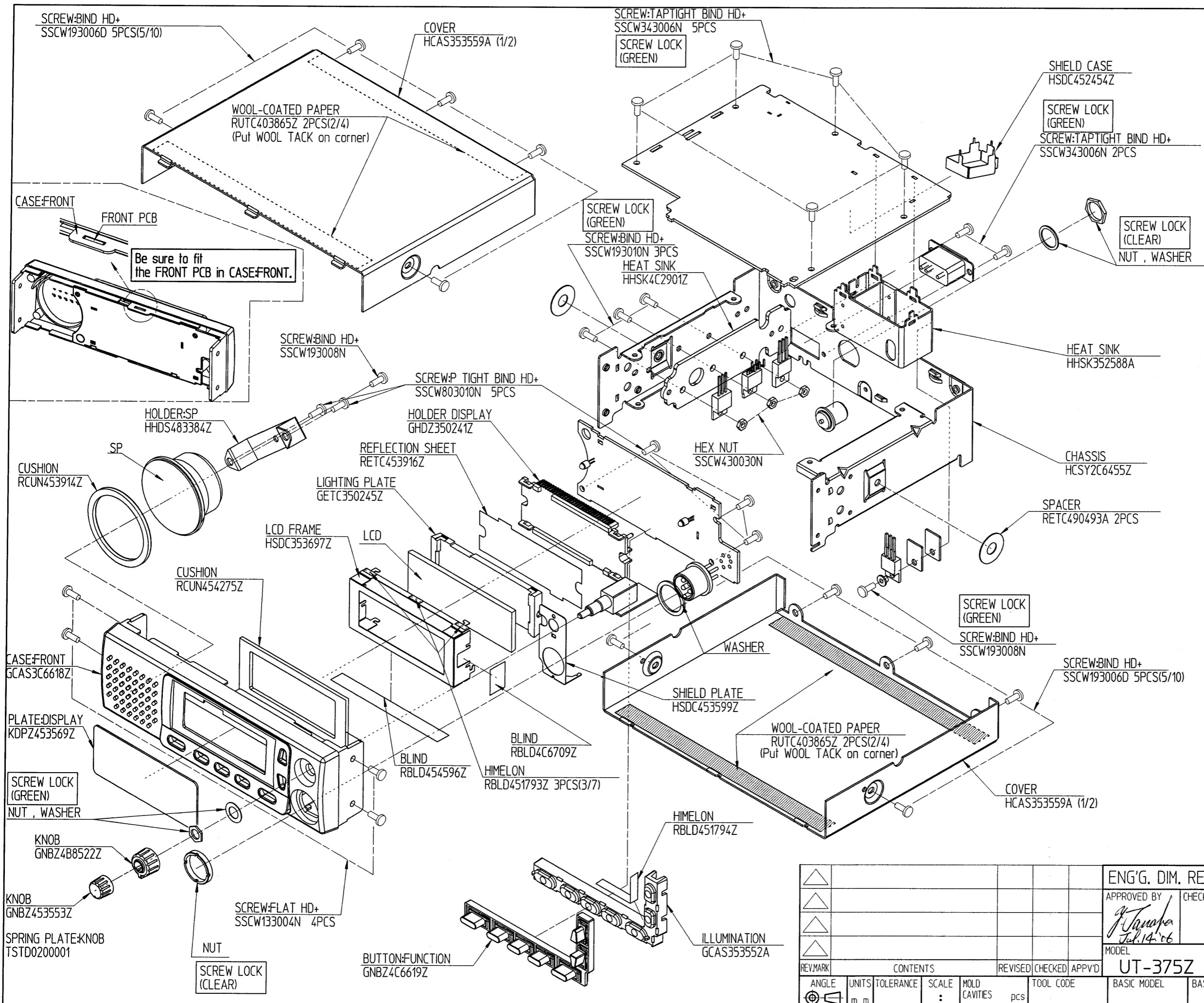


* D568 SIDE ONLY
BLIND
RBLD4C6709Z



--Component insertion diagrams 2/2--

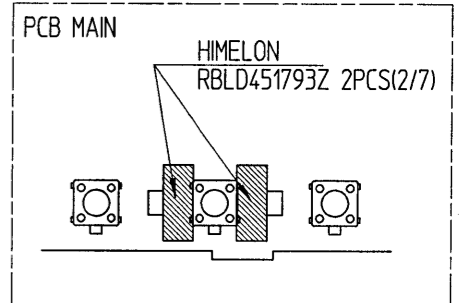
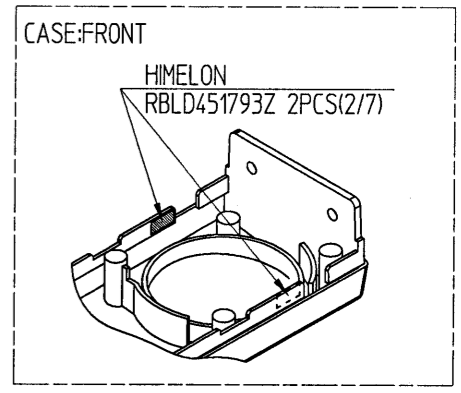
UNIDEN NO. UT375ZH	MODEL NO. JOHNSON II ASC
TITLE FRONT/VOL ASS'Y PARTS ASS'Y TOP VIEW	



GENERAL TOLERANCE					
	G	H	J	K	L
- 8	±0.1	±0.1	±0.2	±0.2	±0.4
8up - 25	±0.15	±0.15	±0.3	±0.3	±0.6
25up - 80	±0.2	±0.25	±0.4	±0.5	±0.8
80up - 250	±0.3	±0.4	±0.6	±0.8	±1.2
250over	±0.6	±0.8	±1.0	±1.5	±2.0

DO NOT SCALE DRAWING

- ACCESSORIES MECHA PARTS**
- SCREW: MOUNTING GMSC405736A 2PCS
 - MOUNTING BRACKET HBCT418335Z 1PCS
 - HANGER: MICROPHONE HMHG402919Z 1PCS
 - RUBBER WASHER LWSR450288N 2PCS
 - SCREW: TAPPING ROUND HD+ SSCW293508N 2PCS
 - SCREW: TAPPING ROUND HD+ SSCW295010N 2PCS
 - WASHER: LOCK SSCW530035N 2PCS
 - WASHER: STAR SSCW540050N 2PCS



△						ENG'G. DIM. REQMT. FOR UNIDEN IQC INSP		YES	NO
△						APPROVED BY	CHECKED BY	DESIGNED BY	DRAWN BY
△						<i>J. Tanaka</i> Jul. 14 '06	<i>J. Tanaka</i> Jul. 14 '06	<i>T. Iseba</i> Jul. 14 '06	TSUKA Jul. 12 '06
△						MODEL	PARTS NAME		
REV: MARK	CONTENTS	REVISED	CHECKED	APPV'D	UT-375Z		ASSEMBLY DRAWING		
ANGLE	UNITS	TOLERANCE	SCALE	MOLD CAVITES	TOOL CODE	BASIC MODEL	BASIC PARTS CODE	PARTS CODE	
∠	m m	:	:	pcs					

JOHNSON II

COMPONENTS LIST

REF NO	DESCRIPTION	SPEC
B001	PCB:MAIN	PA-437BA
B551	PCB:FRONT	PA-440AA 1/2
B801	PCB:VOLUME	PA-440AA 2/2
C001	C:CERAMIC M/L (1608) TAPE	27PF 50V J CH
C002	C:CERAMIC M/L (1608) TAPE	0.001UF 50V K B
C003	C:CERAMIC M/L (1608) TAPE	470PF 50V J CH
C004	C:CERAMIC M/L (1608) TAPE	470PF 50V J CH
C005	C:ELECTROLYTIC	4.7UF 50V M C-156
C006	C:CERAMIC M/L (1608) TAPE	0.001UF 50V K B
C007	C:CERAMIC M/L (1608) TAPE	0.01UF 50V K B
C008	C:CERAMIC M/L (1608) TAPE	10PF 50V D CH
C009	C:CERAMIC M/L (1608) TAPE	0.01UF 50V K B
C010	C: CERAMIC M/L (1608) TAPE	5PF 50V C CH
C011	C:ELECTROLYTIC	100UF 10V M C-156
C012	C:CERAMIC M/L (1608) TAPE	0.022UF 50V K B
C013	C:CERAMIC M/L (1608) TAPE	0.01UF 50V K B
C014	C:ELECTROLYTIC	22UF 50V M C-156
C015	C:CERAMIC M/L (1608) TAPE	56PF 50V J CH
C016	C:CERAMIC M/L (1608) TAPE	0.01UF 50V K B
C017	C:ELECTROLYTIC	47UF 25V M C-156
C018	C:CERAMIC M/L (1608) TAPE	180PF 50V J CH
C019	C: CERAMIC M/L (1608) TAPE	2PF 50V B CH
C020	C:CERAMIC M/L (1608) TAPE	180PF 50V J CH
C021	C:CERAMIC M/L (1608) TAPE	0.1UF 16V K B
C023	C:CERAMIC M/L (1608) TAPE	0.01UF 50V K B
C024	C:CERAMIC M/L (1608) TAPE	0.001UF 50V K B
C025	C:CERAMIC M/L (1608) TAPE	0.01UF 50V K B
C026	C:CERAMIC M/L (1608) TAPE	0.01UF 50V K B
C027	C:CERAMIC M/L (1608) TAPE	0.01UF 50V K B
C028	C:CERAMIC M/L (1608) TAPE	0.01UF 50V K B
C029	C:CERAMIC M/L (1608) TAPE	0.01UF 50V K B
C030	C:CERAMIC M/L (1608) TAPE	0.001UF 50V K B
C032	C: CERAMIC M/L (1608) TAPE	3PF 50V B CH
C033	C:CERAMIC M/L (1608) TAPE	0.01UF 50V K B
C034	C:CERAMIC M/L (1608) TAPE	0.01UF 50V K B
C035	C:CERAMIC M/L (1608) TAPE	560PF 50V J CH
C036	C:CERAMIC M/L (1608) TAPE	0.1UF 16V K B
C037	C:CERAMIC M/L (1608) TAPE	0.01UF 50V K B
C039	C:CERAMIC M/L (1608) TAPE	0.1UF 16V K B
C040	C:CERAMIC M/L (1608) TAPE	0.1UF 16V K B
C042	C:CERAMIC M/L (1608) TAPE	0.01UF 50V K B
C043	C:CERAMIC M/L (1608) TAPE	0.1UF 16V K B
C045	C:CERAMIC M/L (1608) TAPE	0.1UF 16V K B
C046	C:CERAMIC M/L (1608) TAPE	100PF 50V J CH

C047	C:CERAMIC M/L (1608) TAPE	0.0022UF 50V K B
C048	C:ELECTROLYTIC	1UF 50V M C-156
C051	C:CERAMIC M/L (1608) TAPE	0.0027UF 50V K B
C052	C:CERAMIC M/L (1608) TAPE	0.022UF 50V K B
C053	C:CERAMIC M/L (1608) TAPE	0.01UF 50V K B
C054	C:ELECTROLYTIC	22UF 50V M C-156
C055	C:CERAMIC M/L (1608) TAPE	0.1UF 16V K B
C056	C:ELECTROLYTIC	100UF 10V M C-156
C057	C:CERAMIC M/L (1608) TAPE	0.01UF 50V K B
C059	C:ELECTROLYTIC	22UF 50V M C-156
C060	C:CERAMIC M/L (1608) TAPE	0.01UF 50V K B
C061	C:CERAMIC M/L (1608) TAPE	0.1UF 16V K B
C062	C:CERAMIC M/L (1608) TAPE	0.1UF 16V K B
C063	C:CERAMIC M/L (1608) TAPE	0.1UF 16V K B
C064	C:CERAMIC M/L (1608) TAPE	0.047UF 50V K B
C066	C:CERAMIC M/L (1608) TAPE	1UF 10V K B
C067	C:CERAMIC M/L (1608) TAPE	0.001UF 50V K B
C069	C:CERAMIC M/L (1608) TAPE	0.1UF 16V K B
C072	C:CERAMIC M/L (1608) TAPE	0.01UF 50V K B
C073	C:CERAMIC M/L (1608) TAPE	0.01UF 50V K B
C074	C:CERAMIC M/L (1608) TAPE	0.01UF 50V K B
C075	C:CERAMIC M/L (1608) TAPE	0.0047UF 50V K B
C076	C:ELECTROLYTIC	47UF 25V M C-156
C077	C:CERAMIC M/L (1608) TAPE	0.1UF 16V K B
C078	C:CERAMIC M/L (1608) TAPE	0.1UF 16V K B
C079	C:ELECTROLYTIC	470UF 25V M C-156
C088	C:ELECTROLYTIC	1UF 50V M C-156
C091	C:CERAMIC M/L (1608) TAPE	0.0047UF 50V K B
C093	C:CERAMIC M/L (1608) TAPE	0.01UF 50V K B
C100	C:CERAMIC M/L (1608) TAPE	10PF 50V D CH
C101	C:CERAMIC M/L (1608) TAPE	0.001UF 50V K B
C102	C:CERAMIC M/L (1608) TAPE	0.001UF 50V K B
C103	C:CERAMIC M/L (1608) TAPE	0.01UF 50V K B
C104	C:CERAMIC M/L (1608) TAPE	0.001UF 50V K B
C105	C:CERAMIC M/L (1608) TAPE	100PF 50V J CH
C106	C:CERAMIC M/L (1608) TAPE	0.001UF 50V K B
C107	C:CERAMIC M/L (1608) TAPE	0.001UF 50V K B
C108	C:CERAMIC M/L (1608) TAPE	150PF 50V J CH
C109	C:CERAMIC M/L (1608) TAPE	0.022UF 50V K B
C110	C:CERAMIC M/L (1608) TAPE	0.001UF 50V K B
C199	C:CERAMIC M/L (1608) TAPE	0.015UF 50V K B
C200	C:CERAMIC M/L (1608) TAPE	15PF 50V J CH
C201	C:CERAMIC M/L (1608) TAPE	150PF 50V J CH
C202	C:CERAMIC M/L (1608) TAPE	270PF 50V J CH
C203	C:CERAMIC M/L (1608) TAPE	27PF 50V J CH
C204	C:CERAMIC M/L (1608) TAPE	150PF 50V J CH

C205	C:CERAMIC M/L (1608) TAPE	10PF 50V D CH
C206	C:CERAMIC M/L (1608) TAPE	120PF 50V J CH
C207	C:CERAMIC M/L (1608) TAPE	47PF 50V J CH
C208	C:CERAMIC M/L (1608) TAPE	270PF 50V J CH
C209	C:CERAMIC M/L (1608) TAPE	0.01UF 50V K B
C210	C:CERAMIC M/L (1608) TAPE	220PF 50V J CH
C211	C:CERAMIC M/L (1608) TAPE	0.1UF 16V K B
C212	C: CERAMIC M/L (1608) TAPE	3PF 50V B CH
C213	C:CERAMIC M/L (1608) TAPE	0.01UF 50V K B
C217	C:CERAMIC M/L (1608) TAPE	56PF 50V J CH
C218	C:CERAMIC M/L (1608) TAPE	0.01UF 50V K B
C219	C:CERAMIC M/L (1608) TAPE	0.01UF 50V K B
C220	C:CERAMIC M/L (1608) TAPE	0.01UF 50V K B
C221	C:CERAMIC M/L (1608) TAPE	0.0047UF 50V K B
C223	C:CERAMIC M/L (1608) TAPE	390PF 50V J CH
C224	C:CERAMIC M/L (1608) TAPE	0.01UF 50V K B
C226	C:CERAMIC M/L (1608) TAPE	0.01UF 50V K B
C228	C:CERAMIC M/L (1608) TAPE	100PF 50V J CH
C229	C:CERAMIC M/L (1608) TAPE	27PF 50V J CH
C230	C:CERAMIC M/L (1608) TAPE	0.01UF 50V K B
C234	C:CERAMIC M/L (1608) TAPE	0.001UF 50V K B
C235	C:CERAMIC M/L (1608) TAPE	27PF 50V J CH
C236	C:CERAMIC M/L (1608) TAPE	220PF 50V J CH
C238	C:CERAMIC M/L (1608) TAPE	0.01UF 50V K B
C239	C:CERAMIC M/L (1608) TAPE	0.1UF 16V K B
C240	C:CERAMIC M/L (1608) TAPE	0.1UF 16V K B
C241	C:CERAMIC M/L (1608) TAPE	0.01UF 50V K B
C242	C:ELECTROLYTIC	220UF 10V M C-156
C243	C:ELECTROLYTIC	47UF 25V M C-156
C244	C:CERAMIC M/L (1608) TAPE	0.01UF 50V K B
C245	C:CERAMIC M/L (1608) TAPE	1UF 10V K B
C247	C:CERAMIC M/L (1608) TAPE	0.001UF 50V K B
C248	C:CERAMIC M/L (1608) TAPE	0.1UF 16V K B
C249	C:CERAMIC M/L (1608) TAPE	390PF 50V J CH
C250	C:ELECTROLYTIC	47UF 25V M C-156
C253	C:CERAMIC M/L (1608) TAPE	1UF 10V K B
C254	C:CERAMIC M/L (1608) TAPE	0.1UF 16V K B
C255	C:ELECTROLYTIC	220UF 10V M C-156
C256	C:CERAMIC M/L (1608) TAPE	0.001UF 50V K B
C257	C:CERAMIC M/L (1608) TAPE	1UF 10V K B
C259	C:CERAMIC M/L (1608) TAPE	0.015UF 50V K B
C260	C:CERAMIC M/L (1608) TAPE	0.001UF 50V K B
C261	C:CERAMIC M/L (1608) TAPE	330PF 50V J CH
C262	C:CERAMIC M/L (1608) TAPE	33PF 50V J CH
C263	C:CERAMIC M/L (1608) TAPE	100PF 50V J CH
C264	C:CERAMIC M/L (1608) TAPE	0.001UF 50V K B

C265	C:CERAMIC M/L (1608) TAPE	680PF 50V J CH
C267	C:CERAMIC M/L (1608) TAPE	82PF 50V J CH
C268	C:CERAMIC M/L (1608) TAPE	0.047UF 50V K B
C269	C:CERAMIC M/L (1608) TAPE	0.1UF 16V K B
C270	C:CERAMIC M/L (1608) TAPE	0.01UF 50V K B
C272	C:CERAMIC M/L (1608) TAPE	0.01UF 50V K B
C273	C:CERAMIC M/L (1608) TAPE	0.1UF 16V K B
C274	C:CERAMIC M/L (1608) TAPE	1UF 10V K B
C275	C: TANTALUM CHIP TAPE	10UF 10V M A C-345
C276	C:CERAMIC M/L (1608) TAPE	0.01UF 50V K B
C298	C:CERAMIC M/L (1608) TAPE	100PF 50V J CH
C299	C:CERAMIC M/L (1608) TAPE	0.001UF 50V K B
C300	C:CERAMIC M/L (1608) TAPE	0.1UF 16V K B
C303	C:CERAMIC M/L (1608) TAPE	0.1UF 16V K B
C306	C:CERAMIC M/L (1608) TAPE	0.1UF 16V K B
C307	C:CERAMIC M/L (1608) TAPE	0.01UF 50V K B
C308	C: CERAMIC M/L (1608) TAPE	8PF 50V D CH
C309	C:ELECTROLYTIC	1000UF 25V M C-156
C310	C:CERAMIC M/L (1608) TAPE	120PF 50V J CH
C311	C:CERAMIC M/L (1608) TAPE	0.5PF 50V C CK
C312	C:CERAMIC M/L (1608) TAPE	0.01UF 50V K B
C313	C:CERAMIC M/L (1608) TAPE	0.01UF 50V K B
C314	C:CERAMIC M/L (1608) TAPE	0.01UF 50V K B
C315	C:CERAMIC M/L (1608) TAPE	0.01UF 50V K B
C316	C:CERAMIC M/L (1608) TAPE	0.01UF 50V K B
C317	C:ELECTROLYTIC	470UF 6.3V M C-156
C318	C:CERAMIC M/L (1608) TAPE	0.1UF 16V K B
C319	C:CERAMIC M/L (1608) TAPE	0.1UF 16V K B
C320	C:CERAMIC M/L (1608) TAPE	18PF 50V J CH
C321	C:CERAMIC M/L (1608) TAPE	15PF 50V J CH
C322	C:CERAMIC M/L (1608) TAPE	18PF 50V J CH
C323	C:CERAMIC M/L (1608) TAPE	39PF 50V J CH
C324	C:CERAMIC M/L (1608) TAPE	0.001UF 50V K B
C326	C:CERAMIC M/L (1608) TAPE	0.01UF 50V K B
C327	C:CERAMIC M/L (1608) TAPE	0.1UF 16V K B
C329	C:ELECTROLYTIC	100UF 10V M C-156
C331	C: CERAMIC M/L (1608) TAPE	5PF 50V C CH
C332	CAPACITOR:TANTALUM CHIP	0.22UF 35V M C-122 TAPE
C333	C:TANTALUM CHIP TAPE	2.2UF 16V M C-122 TAPE
C334	C:CERAMIC M/L (1608) TAPE	0.0047UF 50V K B
C335	C: CERAMIC M/L (1608) TAPE	8PF 50V D CH
C336	C: CERAMIC M/L (1608) TAPE	3PF 50V B CH
C337	C:CERAMIC M/L (1608) TAPE	0.1UF 16V K B
C338	C:CERAMIC M/L (1608) TAPE	0.01UF 50V K B
C339	C:CERAMIC M/L (1608) TAPE	9PF 50V D CH
C340	C:CERAMIC M/L (1608) TAPE	0.01UF 50V K B

C341	C:CERAMIC M/L (1608) TAPE	0.1UF 16V K B
C342	C:CERAMIC M/L (1608) TAPE	0.01UF 50V K B
C343	C:CERAMIC M/L (1608) TAPE	22PF 50V J CH
C344	C:CERAMIC M/L (1608) TAPE	150PF 50V J CH
C345	C:CERAMIC M/L (1608) TAPE	150PF 50V J CH
C346	C:CERAMIC M/L (1608) TAPE	10PF 50V D CH
C347	C:CERAMIC M/L (1608) TAPE	0.01UF 50V K B
C348	C:ELECTROLYTIC	100UF 10V M C-156
C349	C:CERAMIC M/L (1608) TAPE	0.01UF 50V K B
C350	C:CERAMIC M/L (1608) TAPE	0.01UF 50V K B
C351	C:CERAMIC M/L (1608) TAPE	0.01UF 50V K B
C352	C: CERAMIC M/L (1608) TAPE	2PF 50V B CH
C353	C:ELECTROLYTIC	47UF 25V M C-156
C354	C: TANTALUM CHIP TAPE	10UF 10V M A C-345
C355	C:CERAMIC M/L (1608) TAPE	22PF 50V J CH
C358	C:CERAMIC M/L (1608) TAPE	0.1UF 16V K B
C359	C:CERAMIC M/L (1608) TAPE	0.01UF 50V K B
C360	C:CERAMIC M/L (1608) TAPE	0.1UF 16V K B
C361	C:ELECTROLYTIC	1000UF 10V M C-156
C362	C:CERAMIC M/L (1608) TAPE	0.1UF 50V K B
C365	C:CERAMIC M/L (1608) TAPE	0.01UF 50V K B
C399	C:CERAMIC M/L (1608) TAPE	0.01UF 50V K B
C401	C:CERAMIC M/L (1608) TAPE	0.001UF 50V K B
C402	C:CERAMIC M/L (1608) TAPE	0.01UF 50V K B
C403	C:CERAMIC M/L (1608) TAPE	0.0047UF 50V K B
C404	C:CERAMIC M/L (1608) TAPE	0.0047UF 50V K B
C405	C:TANTALUM CHIP TAPE	4.7UF 20V M A C-122
C406	C:CERAMIC M/L (1608) TAPE	1UF 10V K B
C407	C:CERAMIC M/L (1608) TAPE	0.1UF 16V K B
C408	C:CERAMIC M/L (1608) TAPE	0.047UF 50V K B
C409	C:CERAMIC M/L (1608) TAPE	0.0047UF 50V K B
C410	C:CERAMIC M/L (1608) TAPE	0.0047UF 50V K B
C411	C:CERAMIC M/L (1608) TAPE	1UF 10V K B
C412	C:ELECTROLYTIC	1UF 50V M C-156
C552	C:CERAMIC M/L (1608) TAPE	0.01UF 50V K B
C553	C:CERAMIC M/L (1608) TAPE	0.01UF 50V K B
C554	C:CERAMIC M/L (1608) TAPE	0.01UF 50V K B
C555	C:CERAMIC M/L (1608) TAPE	0.01UF 50V K B
C556	C:CERAMIC M/L (1608) TAPE	0.001UF 50V K B
C557	C:CERAMIC M/L (1608) TAPE	0.01UF 50V K B
C558	C:CERAMIC M/L (1608) TAPE	0.001UF 50V K B
C559	C:CERAMIC M/L (1608) TAPE	0.01UF 50V K B
C560	C:CERAMIC M/L (1608) TAPE	0.01UF 50V K B
C561	C:CERAMIC M/L (1608) TAPE	0.01UF 50V K B
CT301	C:TRIMMER	CT-107 ECRLA050M52 50PF
D001	DIODE	KDS114E-RTK/P

D002	DIODE	KDS114E-RTK/P
D003	DIODE:VARICAP	HVU307 TRU-E
D004	DIODE:VARICAP	HVU307 TRU-E
D005	DIODE	GD 1N4148-GP-A2
D006	DIODE	GD 1N4148-GP-A2
D008	DIODE	GD 1N4148-GP-A2
D009	DIODE:VARICAP	HVU307 TRU-E
D010	DIODE:VARICAP	HVU307 TRU-E
D011	DIODE	GD 1N4148-GP-A2
D012	DIODE	GD 1N4148-GP-A2
D013	DIODE	GD 1N4148-GP-A2
D014	DIODE	GD 1N4148-GP-A2
D022	DIODE	GD 1N4148-GP-A2
D101	DIODE	HSM88AS TL-E
D201	DIODE	GD 1N4148-GP-A2
D202	DIODE:ZENER	UDZS F 7.5B TE-17
D203	DIODE	GD 1N4003-A2
D204	DIODE	GD 1N4148-GP-A2
D205	DIODE	GD 1N4148-GP-A2
D206	DIODE:ZENER	UDZS F 3.0B TE-17
D207	DIODE	GD 1N4148-GP-A2
D301	DIODE	KDS160E-RTK/P
D302	DIODE	KDS160E-RTK/P
D305	DIODE:VARICAP	1SV290(TPH3,F)
D306	DIODE:VARICAP	1SV290(TPH3,F)
D307	DIODE:VARICAP	HVU307 TRU-E
D309	DIODE	SDB30A40
D311	DIODE	DA-1265 1SS226(TE85L,F)
D313	DIODE:ZENER AX TS 26+	HZ9B3 TD-E
D401	DIODE	DA-1265 1SS226(TE85L,F)
D402	DIODE	KDS160E-RTK/P
D558	DIODE:LED	AY3822K-0A1
D559	DIODE:LED	AY3822K-0A1
D560	DIODE:LED	AY3822K-0A1
D561	DIODE:LED	AY3822K-0A1
D562	DIODE:LED	AY3822K-0A1
D563	DIODE:LED	AY3822K-0A1
D564	DIODE:LED	AY3822K-0A1
D565	DIODE:LED	AY3822K-0A1
D566	DIODE:LED	AY3822K-0A1
D567	DIODE:LED	SLI-343YC 3F
D568	DIODE:LED	SLI-343YC 3F
DP551	LIQUID CRYSTAL DISPLAY	DL-373 JIC-TR6319P
FC801	FLAT CABLE	WF-383 3-50-3 3P
FC802	FLAT CABLE	WF-383 3-50-3 3P
FT001	FILTER:CRYSTAL	FL-1087 10M07AZ

FT002	FILTER:CERAMIC	FL-852 LTS455HTW
IC001	INTEGRATED CIRCUIT	NJM2746M-TE1-#ZZZB
IC002	INTEGRATED CIRCUIT	TK83361MTL-G
IC003	INTEGRATED CIRCUIT	NJM12904M-TE3--#ZZZB
IC201	INTEGRATED CIRCUIT	NJM12904M-TE3--#ZZZB
IC202	INTEGRATED CIRCUIT	NJM12904M-TE3--#ZZZB
IC300	INTEGRATED CIRCUIT:UC3116	UPD789406AGK-A85-9EU-A
IC302	INTEGRATED CIRCUIT	XC61CC4302PR
IC303	INTEGRATED CIRCUIT	RH5RL50AA-T1-FA
IC304	INTEGRATED CIRCUIT	AT24C02N-10SU-1.8-SL383
IC305	INTEGRATED CIRCUIT	BU2630F-E2
IC401	INTEGRATED CIRCUIT	NJM12904M-TE3--#ZZZB
IC501	INTEGRATED CIRCUIT	E-TDA2003V
IC503	INTEGRATED CIRCUIT	L7808CV
J001	JACK:EARPHONE	JK-1310 PJ-305C
J301	JACK	JK-1249 IMSA-9210B-1-03Z058-PT1
J501	JACK:W/O LUG	JK-425 M-RM-L 102
J502	JACK	JK-1346 PLT-166-RL10
J503	JACK	JK-052 BLACK 12T-5C018-S
L001	COIL	LB-1131 KS2484F
L003	COIL	LB-1237 KS2579N
L006	COIL	LB-1239 KS2585N
L007	COIL	LB-1120 KS2482AC
L008	COIL	LB-1120 KS2482AC
L009	COIL	LB-1129 7PL4A151N
L010	COIL	LB-1179 7MK4A033N
L011	COIL	LB-1225 #7002BE-A0026HM
L012	COIL	LD-087 L5RH3X5X1
L013	COIL	LD-087 L5RH3X5X1
L101	INDUCTOR:MOLDED CHIP	LZ-226 SGMI1608N220K T
L200	COIL	LE-492 AC1926
L201	COIL	LE-475 AC1979
L202	COIL	LE-486 AC1973
L203	COIL	LE-486 AC1973
L204	COIL	LE-475 AC1979
L205	COIL	LE-492 AC1926
L206	COIL	LE-475 AC1979
L207	COIL	LD-087 L5RH3X5X1
L208	COIL	LE-492 AC1926
L209	COIL	LD-087 L5RH3X5X1
L210	INDUCTOR:MOLDED	LZ-041 0.33UH K
L301	COIL	LB-1235 KY1106R
L302	COIL	LB-1235 KY1106R
L501	COIL	LD-252 3A1737RH
L502	COIL	LD-252 3A1737RH
L551	COIL	LD-087 L5RH3X5X1

L552	INDUCTOR:MOLDED	LZ-041 10UH K
L553	COIL	LD-087 L5RH3X5X1
L554	INDUCTOR:MOLDED	LZ-041 10UH K
L555	COIL	LD-087 L5RH3X5X1
MC951	MICROPHONE	MK-580 EMC503-015
PG001	PLUG	PG-185 IMSA-9215H-T
Q001	TRANSISTOR	DB-1167 2SC2714-Y(TE85L,F)
Q002	FIELD EFFECT TRANSISTOR	DC-310 2SK210-BL(TE85L,F)
Q003	FIELD EFFECT TRANSISTOR	DC-310 2SK210-BL(TE85L,F)
Q004	TRANSISTOR	DB-1167 2SC2714-Y(TE85L,F)
Q005	TRANSISTOR	DB-1167 2SC2714-Y(TE85L,F)
Q006	TRANSISTOR	DB-764 2SC3052-T112-1F
Q007	TRANSISTOR	DB-764 2SC3052-T112-1F
Q008	TRANSISTOR	DB-764 2SC3052-T112-1F
Q009	TRANSISTOR	DB-467 2SD1048-6-TB-E
Q010	TRANSISTOR	DB-764 2SC3052-T112-1F
Q011	TRANSISTOR	DB-764 2SC3052-T112-1F
Q012	TRANSISTOR	DB-1167 2SC2714-Y(TE85L,F)
Q013	TRANSISTOR	DB-764 2SC3052-T112-1F
Q015	TRANSISTOR	DB-089 2SA1235A-T112-1F
Q016	TRANSISTOR	DB-089 2SA1235A-T112-1F
Q017	TRANSISTOR	DB-764 2SC3052-T112-1F
Q019	TRANSISTOR	DB-764 2SC3052-T112-1F
Q101	TRANSISTOR	DB-1167 2SC2714-Y(TE85L,F)
Q102	TRANSISTOR	DB-1167 2SC2714-Y(TE85L,F)
Q103	TRANSISTOR	DB-764 2SC3052-T112-1F
Q104	TRANSISTOR	DB-089 2SA1235A-T112-1F
Q105	TRANSISTOR	DB-1167 2SC2714-Y(TE85L,F)
Q106	TRANSISTOR	DB-764 2SC3052-T112-1F
Q200	TRANSISTOR	DB-791 2SC2078E
Q201	TRANSISTOR	DB-792 2SC2314F
Q202	TRANSISTOR	DB-1212 2SC941TM-Y(TPE2,F)
Q203	TRANSISTOR	DB-1167 2SC2714-Y(TE85L,F)
Q204	TRANSISTOR	DB-089 2SA1235A-T112-1F
Q205	TRANSISTOR	DB-764 2SC3052-T112-1F
Q206	TRANSISTOR	DB-467 2SD1048-6-TB-E
Q207	TRANSISTOR	DB-764 2SC3052-T112-1F
Q209	TRANSISTOR	DB-089 2SA1235A-T112-1F
Q210	TRANSISTOR	DB-764 2SC3052-T112-1F
Q211	TRANSISTOR	DB-764 2SC3052-T112-1F
Q212	TRANSISTOR	DB-764 2SC3052-T112-1F
Q213	TRANSISTOR	DB-089 2SA1235A-T112-1F
Q301	TRANSISTOR	DB-764 2SC3052-T112-1F
Q302	TRANSISTOR	DB-1167 2SC2714-Y(TE85L,F)
Q303	TRANSISTOR	DB-467 2SD1048-6-TB-E
Q304	TRANSISTOR	DB-1169 2SC5065-Y(TE85R,F)

Q305	TRANSISTOR	DB-1167 2SC2714-Y(TE85L,F)
Q306	TRANSISTOR	DB-1167 2SC2714-Y(TE85L,F)
Q307	TRANSISTOR	DB-1167 2SC2714-Y(TE85L,F)
Q308	TRANSISTOR	DB-1167 2SC2714-Y(TE85L,F)
Q309	TRANSISTOR	DB-440 2SD1683-T
Q310	TRANSISTOR	DB-764 2SC3052-T112-1F
Q311	TRANSISTOR	DB-764 2SC3052-T112-1F
Q312	TRANSISTOR	DB-764 2SC3052-T112-1F
Q313	TRANSISTOR	DB-764 2SC3052-T112-1F
Q315	TRANSISTOR	DB-764 2SC3052-T112-1F
Q401	TRANSISTOR	DB-764 2SC3052-T112-1F
Q402	TRANSISTOR	DB-764 2SC3052-T112-1F
Q501	TRANSISTOR	DB-147 2SB1135R
R001	R:CARBON FIXED CHIP	10K 1/16W J TAPE
R002	R:CARBON AXIAL LEAD (52)	100K 1/4W J TAPE
R003	R:CARBON FIXED CHIP	47 1/16W J TAPE
R004	R:CARBON FIXED CHIP	0 1/16W J TAPE
R005	R:CARBON FIXED CHIP	1K 1/16W J TAPE
R006	R:CARBON FIXED CHIP	2.2K 1/16W J TAPE
R007	R:CARBON FIXED CHIP	560 1/16W J TAPE
R008	R:CARBON FIXED CHIP	10K 1/16W J TAPE
R009	R:CARBON FIXED CHIP	560 1/16W J TAPE
R010	R:CARBON FIXED CHIP	47K 1/16W J TAPE
R011	R:CARBON FIXED CHIP	15K 1/16W J TAPE
R012	R:CARBON FIXED CHIP	100K 1/16W J TAPE
R013	R:CARBON FIXED CHIP	100K 1/16W J TAPE
R014	R:CARBON FIXED CHIP	10K 1/16W J TAPE
R015	R:CARBON FIXED CHIP	220 1/16W J TAPE
R016	R:CARBON FIXED CHIP	10K 1/16W J TAPE
R017	R:CARBON FIXED CHIP	10K 1/16W J TAPE
R018	R:CARBON FIXED CHIP	10K 1/16W J TAPE
R019	R:CARBON FIXED CHIP	68K 1/16W J TAPE
R020	R:CARBON FIXED CHIP	22 1/16W J TAPE
R021	R:CARBON FIXED CHIP	4.7K 1/16W J TAPE
R022	R:CARBON FIXED CHIP	270 1/16W J TAPE
R023	R:CARBON FIXED CHIP	390 1/16W J TAPE
R024	R:CARBON FIXED CHIP	270 1/16W J TAPE
R025	R:CARBON FIXED CHIP	100 1/16W J TAPE
R026	R:CARBON FIXED CHIP	4.7K 1/16W J TAPE
R027	R:CARBON FIXED CHIP	56K 1/16W J TAPE
R028	R:CARBON FIXED CHIP	15K 1/16W J TAPE
R029	R:CARBON FIXED CHIP	220 1/16W J TAPE
R030	R:CARBON FIXED CHIP	220 1/16W J TAPE
R031	R:CARBON FIXED CHIP	680 1/16W J TAPE
R032	R:CARBON FIXED CHIP	1.8K 1/16W J TAPE
R033	R:CARBON FIXED CHIP	560 1/16W J TAPE

R034	R:CARBON FIXED CHIP	10K 1/16W J TAPE
R035	R:CARBON FIXED CHIP	220 1/16W J TAPE
R036	R:CARBON FIXED CHIP	0 1/16W J TAPE
R037	R:CARBON FIXED CHIP	100 1/16W J TAPE
R038	R:CARBON FIXED CHIP	1K 1/16W J TAPE
R039	R:CARBON FIXED CHIP	2.2K 1/16W J TAPE
R040	R:CARBON FIXED CHIP	15K 1/16W J TAPE
R041	R:CARBON FIXED CHIP	560 1/16W J TAPE
R042	R:CARBON FIXED CHIP	1K 1/16W J TAPE
R043	R:CARBON FIXED CHIP	0 1/16W J TAPE
R044	R:CARBON FIXED CHIP	150 1/16W J TAPE
R045	R:CARBON FIXED CHIP	3.3 1/16W J TAPE
R046	R:CARBON FIXED CHIP	2.2K 1/16W J TAPE
R047	R:CARBON FIXED CHIP	560 1/16W J TAPE
R048	R:CARBON FIXED CHIP	100 1/16W J TAPE
R049	R:CARBON FIXED CHIP	47K 1/16W J TAPE
R050	R:CARBON FIXED CHIP	2.2K 1/16W J TAPE
R051	R:CARBON FIXED CHIP	10 1/16W J TAPE
R052	R:CARBON FIXED CHIP	150 1/16W J TAPE
R053	R:CARBON FIXED CHIP	47 1/16W J TAPE
R054	R:CARBON FIXED CHIP	10K 1/16W J TAPE
R055	R:CARBON FIXED CHIP	10K 1/16W J TAPE
R056	R:CARBON FIXED CHIP	150K 1/16W J TAPE
R057	R:CARBON FIXED CHIP	1M 1/16W J TAPE
R058	R:CARBON FIXED CHIP	10K 1/16W J TAPE
R059	R:CARBON FIXED CHIP	68K 1/16W J TAPE
R060	R:CARBON FIXED CHIP	68K 1/16W J TAPE
R061	R:CARBON FIXED CHIP	68K 1/16W J TAPE
R062	R:CARBON FIXED CHIP	56K 1/16W J TAPE
R063	R:CARBON FIXED CHIP	680K 1/16W J TAPE
R064	R:CARBON FIXED CHIP	100K 1/16W J TAPE
R065	R:CARBON FIXED CHIP	10K 1/16W J TAPE
R066	R:CARBON FIXED CHIP	3.3K 1/16W J TAPE
R067	R:CARBON FIXED CHIP	1M 1/16W J TAPE
R068	R:CARBON FIXED CHIP	470K 1/16W J TAPE
R069	R:CARBON FIXED CHIP	10K 1/16W J TAPE
R070	R:CARBON FIXED CHIP	4.7K 1/16W J TAPE
R071	R:CARBON FIXED CHIP	5.6K 1/16W J TAPE
R072	R:CARBON FIXED CHIP	56 1/16W J TAPE
R073	R:CARBON FIXED CHIP	220 1/16W J TAPE
R074	R:CARBON FIXED CHIP	2.2K 1/16W J TAPE
R080	R:CARBON FIXED CHIP	22K 1/16W J TAPE
R081	R:CARBON FIXED CHIP	3.3K 1/16W J TAPE
R082	R:CARBON FIXED CHIP	33K 1/16W J TAPE
R083	R:CARBON FIXED CHIP	10K 1/16W J TAPE
R084	R:CARBON AXIAL LEAD (52)	47K 1/4W J TAPE

R085	R:CARBON FIXED CHIP	330 1/16W J TAPE
R086	R:CARBON FIXED CHIP	15K 1/16W J TAPE
R087	R:CARBON FIXED CHIP	10K 1/16W J TAPE
R088	R:CARBON FIXED CHIP	10K 1/16W J TAPE
R089	R:CARBON FIXED CHIP	0 1/16W J TAPE
R090	R:CARBON FIXED CHIP	10K 1/16W J TAPE
R091	R:CARBON FIXED CHIP	15K 1/16W J TAPE
R092	R:CARBON FIXED CHIP	10K 1/16W J TAPE
R093	R:CARBON FIXED CHIP	47K 1/16W J TAPE
R094	R:CARBON FIXED CHIP	100K 1/16W J TAPE
R095	R:CARBON AXIAL LEAD (52)	100K 1/4W J TAPE
R096	R:CARBON FIXED CHIP	560 1/16W J TAPE
R097	R:CARBON FIXED CHIP	100K 1/16W J TAPE
R098	R:CARBON FIXED CHIP	1M 1/16W J TAPE
R099	R:CARBON FIXED CHIP	1.5M 1/16W J TAPE
R100	R:CARBON FIXED CHIP	1.5K 1/16W J TAPE
R101	R:CARBON FIXED CHIP	2.7K 1/16W J TAPE
R102	R:CARBON FIXED CHIP	8.2K 1/16W J TAPE
R103	R:CARBON FIXED CHIP	5.6K 1/16W J TAPE
R104	R:CARBON FIXED CHIP	3.3K 1/16W J TAPE
R105	R:CARBON FIXED CHIP	3.3K 1/16W J TAPE
R106	R:CARBON FIXED CHIP	1K 1/16W J TAPE
R107	R:CARBON FIXED CHIP	100K 1/16W J TAPE
R110	R:CARBON FIXED CHIP	220K 1/16W J TAPE
R111	R:CARBON FIXED CHIP	5.6K 1/16W J TAPE
R112	R:CARBON FIXED CHIP	10K 1/16W J TAPE
R113	R:CARBON FIXED CHIP	5.6K 1/16W J TAPE
R114	R:CARBON FIXED CHIP	0 1/8W J TAPE
R115	R:CARBON FIXED CHIP	33K 1/16W J TAPE
R116	R:CARBON FIXED CHIP	56 1/16W J TAPE
R117	R:CARBON FIXED CHIP	2.2 1/16W J TAPE
R130	R:METAL OXIDE	4.7 2WS J
R150	R:CARBON FIXED CHIP	15K 1/16W J TAPE
R151	R:CARBON FIXED CHIP	47K 1/16W J TAPE
R152	R:CARBON FIXED CHIP	3.3K 1/16W J TAPE
R153	R:CARBON FIXED CHIP	1K 1/16W J TAPE
R154	R:CARBON FIXED CHIP	180 1/16W J TAPE
R155	R:CARBON FIXED CHIP	10K 1/16W J TAPE
R157	R:CARBON FIXED CHIP	10K 1/16W J TAPE
R158	R:CARBON FIXED CHIP	1M 1/16W J TAPE
R159	R:CARBON FIXED CHIP	150K 1/16W J TAPE
R160	R:CARBON FIXED CHIP	10K 1/16W J TAPE
R161	R:CARBON FIXED CHIP	10K 1/16W J TAPE
R162	R:CARBON FIXED CHIP	47K 1/16W J TAPE
R163	R:CARBON FIXED CHIP	100K 1/16W J TAPE
R164	R:CARBON FIXED CHIP	2.2K 1/16W J TAPE

R191	R:CARBON FIXED CHIP	3.3K 1/16W J TAPE
R192	R:CARBON FIXED CHIP	220 1/16W J TAPE
R193	R:CARBON FIXED CHIP	1K 1/16W J TAPE
R194	R:CARBON FIXED CHIP	56K 1/16W J TAPE
R195	R:CARBON FIXED CHIP	5.6K 1/16W J TAPE
R198	R:CARBON FIXED CHIP	3.3K 1/16W J TAPE
R199	R:CARBON FIXED CHIP	3.3K 1/16W J TAPE
R200	R:CARBON FIXED CHIP	560 1/16W J TAPE
R201	R:CARBON FIXED CHIP	4.7K 1/16W J TAPE
R202	R:CARBON FIXED CHIP	4.7K 1/16W J TAPE
R203	R:CARBON FIXED CHIP	5.6K 1/16W J TAPE
R204	R:CARBON FIXED CHIP	1K 1/16W J TAPE
R205	R:CARBON FIXED CHIP	10 1/16W J TAPE
R206	R:CARBON FIXED CHIP	3.3 1/16W J TAPE
R207	R:CARBON FIXED CHIP	0 1/16W J TAPE
R208	R:CARBON FIXED CHIP	33 1/16W J TAPE
R209	R:CARBON FIXED CHIP	15 1/16W J TAPE
R210	R:CARBON FIXED CHIP	10K 1/16W J TAPE
R211	R:CARBON FIXED CHIP	270 1/16W J TAPE
R212	R:METAL OXIDE	220 1WS J
R213	R:CARBON FIXED CHIP	56 1/16W J TAPE
R214	R:CARBON FIXED CHIP	1.8K 1/16W J TAPE
R215	R:CARBON FIXED CHIP	3.3K 1/16W J TAPE
R216	R:CARBON FIXED CHIP	220 1/16W J TAPE
R217	R:CARBON FIXED CHIP	22K 1/16W J TAPE
R218	R:CARBON FIXED CHIP	56 1/16W J TAPE
R219	R:CARBON FIXED CHIP	220 1/16W J TAPE
R220	R:CARBON FIXED CHIP	1K 1/16W J TAPE
R221	R:CARBON FIXED CHIP	330 1/16W J TAPE
R222	R:CARBON FIXED CHIP	1.8K 1/16W J TAPE
R223	R:CARBON FIXED CHIP	5.6K 1/16W J TAPE
R224	R:CARBON FIXED CHIP	3.9K 1/16W J TAPE
R225	R:CARBON FIXED CHIP	10K 1/16W J TAPE
R226	R:CARBON FIXED CHIP	3.3K 1/16W J TAPE
R228	R:CARBON FIXED CHIP	10K 1/16W J TAPE
R229	R:CARBON FIXED CHIP	100 1/16W J TAPE
R230	R:CARBON FIXED CHIP	100 1/16W J TAPE
R231	R:CARBON FIXED CHIP	10K 1/16W J TAPE
R232	R:CARBON FIXED CHIP	4.7K 1/16W J TAPE
R233	R:CARBON FIXED CHIP	5.6K 1/16W J TAPE
R234	R:CARBON FIXED CHIP	2.2K 1/16W J TAPE
R235	R:CARBON FIXED CHIP	39K 1/16W J TAPE
R236	R:CARBON FIXED CHIP	4.7K 1/16W J TAPE
R237	R:CARBON FIXED CHIP	1K 1/16W J TAPE
R238	R:CARBON FIXED CHIP	4.7K 1/16W J TAPE
R240	R:CARBON FIXED CHIP	10K 1/16W J TAPE

R241	R:CARBON FIXED CHIP	3.3K 1/16W J TAPE
R242	R:CARBON FIXED CHIP	5.6K 1/16W J TAPE
R243	R:CARBON FIXED CHIP	5.6K 1/16W J TAPE
R244	R:CARBON FIXED CHIP	220 1/16W J TAPE
R245	R:CARBON FIXED CHIP	5.6K 1/16W J TAPE
R246	R:CARBON FIXED CHIP	5.6K 1/16W J TAPE
R247	R:CARBON FIXED CHIP	33K 1/16W J TAPE
R248	R:CARBON FIXED CHIP	33K 1/16W J TAPE
R249	R:CARBON FIXED CHIP	1K 1/16W J TAPE
R250	R:CARBON FIXED CHIP	10K 1/16W J TAPE
R251	R:CARBON FIXED CHIP	1K 1/16W J TAPE
R252	R:CARBON FIXED CHIP	1K 1/16W J TAPE
R253	R:CARBON FIXED CHIP	2.2K 1/16W J TAPE
R254	R:CARBON FIXED CHIP	270 1/16W J TAPE
R255	R:CARBON FIXED CHIP	270 1/16W J TAPE
R256	R:CARBON FIXED CHIP	1K 1/16W J TAPE
R257	R:CARBON FIXED CHIP	2.2K 1/16W J TAPE
R258	R:CARBON FIXED CHIP	33K 1/16W J TAPE
R259	R:CARBON FIXED CHIP	33K 1/16W J TAPE
R260	R:CARBON FIXED CHIP	2.2K 1/16W J TAPE
R261	R:CARBON FIXED CHIP	220K 1/16W J TAPE
R262	R:CARBON FIXED CHIP	1K 1/16W J TAPE
R263	R:CARBON FIXED CHIP	3.3K 1/16W J TAPE
R264	R:CARBON FIXED CHIP	56K 1/16W J TAPE
R265	R:CARBON FIXED CHIP	1K 1/16W J TAPE
R266	R:CARBON FIXED CHIP	39K 1/16W J TAPE
R267	R:CARBON FIXED CHIP	2.2K 1/16W J TAPE
R268	R:CARBON FIXED CHIP	220K 1/16W J TAPE
R269	R:CARBON FIXED CHIP	220K 1/16W J TAPE
R270	R:CARBON FIXED CHIP	220K 1/16W J TAPE
R271	R:CARBON FIXED CHIP	560 1/16W J TAPE
R272	R:CARBON FIXED CHIP	150 1/16W J TAPE
R273	R:CARBON FIXED CHIP	2.2K 1/16W J TAPE
R274	R:CARBON FIXED CHIP	220K 1/16W J TAPE
R275	R:CARBON FIXED CHIP	220K 1/16W J TAPE
R276	R:CARBON FIXED CHIP	2.2K 1/16W J TAPE
R277	R:CARBON FIXED CHIP	1.5K 1/16W J TAPE
R278	R:CARBON FIXED CHIP	2.2K 1/16W J TAPE
R279	R:CARBON FIXED CHIP	1K 1/16W J TAPE
R280	R:CARBON FIXED CHIP	10K 1/16W J TAPE
R283	R:CARBON FIXED CHIP	15K 1/16W J TAPE
R284	R:CARBON FIXED CHIP	10K 1/16W J TAPE
R285	R:CARBON FIXED CHIP	10K 1/16W J TAPE
R286	R:CARBON FIXED CHIP	1K 1/16W J TAPE
R287	R:CARBON FIXED CHIP	2.2K 1/16W J TAPE
R288	R:CARBON FIXED CHIP	3.3K 1/16W J TAPE

R289	R:CARBON FIXED CHIP	47K 1/16W J TAPE
R290	R:CARBON FIXED CHIP	1K 1/16W J TAPE
R292	R:CARBON FIXED CHIP	10K 1/16W J TAPE
R293	R:CARBON FIXED CHIP	5.6K 1/16W J TAPE
R294	R:CARBON FIXED CHIP	1.5K 1/16W J TAPE
R295	R:METAL OXIDE	100 1WS J
R296	R:METAL OXIDE	82 1WS J
R297	R:CARBON FIXED CHIP	82 1/16W J TAPE
R298	R:CARBON FIXED CHIP	47K 1/16W J TAPE
R300	R:CARBON FIXED CHIP	470 1/8W J TAPE
R302	R:CARBON FIXED CHIP	5.6K 1/16W J TAPE
R303	R:CARBON FIXED CHIP	10K 1/16W J TAPE
R304	R:CARBON FIXED CHIP	10K 1/16W J TAPE
R306	R:CARBON FIXED CHIP	47K 1/16W J TAPE
R307	R:CARBON FIXED CHIP	10K 1/16W J TAPE
R308	R:CARBON FIXED CHIP	10K 1/16W J TAPE
R309	R:CARBON FIXED CHIP	1K 1/16W J TAPE
R310	R:CARBON FIXED CHIP	1K 1/16W J TAPE
R311	R:CARBON FIXED CHIP	1K 1/16W J TAPE
R312	R:CARBON FIXED CHIP	1K 1/16W J TAPE
R313	R:CARBON FIXED CHIP	1K 1/16W J TAPE
R314	R:CARBON FIXED CHIP	1K 1/16W J TAPE
R315	R:CARBON FIXED CHIP	1K 1/16W J TAPE
R316	R:CARBON FIXED CHIP	1K 1/16W J TAPE
R317	R:CARBON FIXED CHIP	1.5K 1/16W J TAPE
R318	R:CARBON FIXED CHIP	1K 1/16W J TAPE
R320	R:CARBON FIXED CHIP	1K 1/16W J TAPE
R321	R:CARBON FIXED CHIP	1K 1/16W J TAPE
R322	R:CARBON FIXED CHIP	1K 1/16W J TAPE
R323	R:CARBON FIXED CHIP	1K 1/16W J TAPE
R324	R:CARBON FIXED CHIP	1K 1/16W J TAPE
R325	R:CARBON FIXED CHIP	1K 1/16W J TAPE
R326	R:CARBON FIXED CHIP	1K 1/16W J TAPE
R327	R:CARBON FIXED CHIP	1K 1/16W J TAPE
R328	R:CARBON FIXED CHIP	1K 1/16W J TAPE
R329	R:CARBON FIXED CHIP	1K 1/16W J TAPE
R330	R:CARBON FIXED CHIP	1K 1/16W J TAPE
R331	R:CARBON FIXED CHIP	1K 1/16W J TAPE
R332	R:CARBON FIXED CHIP	1K 1/16W J TAPE
R333	R:CARBON FIXED CHIP	1K 1/16W J TAPE
R334	R:CARBON FIXED CHIP	1K 1/16W J TAPE
R335	R:CARBON FIXED CHIP	3.3K 1/16W J TAPE
R336	R:CARBON FIXED CHIP	2.2K 1/16W J TAPE
R339	R:CARBON FIXED CHIP	10K 1/16W J TAPE
R340	R:CARBON AXIAL LEAD (26)	10K 1/6W J TAPE
R341	R:CARBON AXIAL LEAD (26)	10K 1/6W J TAPE

R342	R:CARBON FIXED CHIP	10K 1/16W J TAPE
R343	R:CARBON AXIAL LEAD (26)	10K 1/6W J TAPE
R344	R:CARBON AXIAL LEAD (26)	10K 1/6W J TAPE
R345	R:CARBON FIXED CHIP	10K 1/16W J TAPE
R346	R:CARBON FIXED CHIP	1K 1/16W J TAPE
R347	R:CARBON FIXED CHIP	10K 1/16W J TAPE
R348	R:CARBON FIXED CHIP	1K 1/16W J TAPE
R349	R:CARBON FIXED CHIP	1K 1/16W J TAPE
R350	R:CARBON FIXED CHIP	1K 1/16W J TAPE
R351	R:CARBON FIXED CHIP	1K 1/16W J TAPE
R352	R:CARBON FIXED CHIP	1K 1/16W J TAPE
R353	R:CARBON FIXED CHIP	1K 1/16W J TAPE
R354	R:CARBON FIXED CHIP	1K 1/16W J TAPE
R355	R:CARBON FIXED CHIP	5.6K 1/16W J TAPE
R357	R:CARBON FIXED CHIP	3.3K 1/16W J TAPE
R358	R:CARBON FIXED CHIP	10K 1/16W J TAPE
R359	R:CARBON FIXED CHIP	10K 1/16W J TAPE
R361	R:CARBON FIXED CHIP	1M 1/16W J TAPE
R362	R:CARBON FIXED CHIP	100K 1/16W J TAPE
R363	R:CARBON FIXED CHIP	10K 1/16W J TAPE
R364	R:CARBON FIXED CHIP	3.3K 1/16W J TAPE
R366	R:CARBON FIXED CHIP	12K 1/16W J TAPE
R368	R:CARBON FIXED CHIP	3.3K 1/16W J TAPE
R369	R:CARBON FIXED CHIP	3.3K 1/16W J TAPE
R370	R:CARBON FIXED CHIP	3.3K 1/16W J TAPE
R371	R:CARBON FIXED CHIP	3.3K 1/16W J TAPE
R372	R:CARBON FIXED CHIP	1.5K 1/16W J TAPE
R373	R:CARBON FIXED CHIP	10K 1/16W J TAPE
R374	R:CARBON FIXED CHIP	680 1/16W J TAPE
R375	R:CARBON FIXED CHIP	220K 1/16W J TAPE
R376	R:CARBON FIXED CHIP	22K 1/16W J TAPE
R377	R:CARBON FIXED CHIP	56K 1/16W J TAPE
R378	R:CARBON FIXED CHIP	1M 1/16W J TAPE
R383	R:CARBON FIXED CHIP	10K 1/16W J TAPE
R384	R:CARBON FIXED CHIP	1K 1/16W J TAPE
R385	R:CARBON FIXED CHIP	3.3K 1/16W J TAPE
R386	R:CARBON FIXED CHIP	2.2K 1/16W J TAPE
R387	R:CARBON AXIAL LEAD (52)	10K 1/4W J TAPE
R388	R:CARBON FIXED CHIP	3.9K 1/16W J TAPE
R389	R:CARBON FIXED CHIP	270 1/16W J TAPE
R390	R:CARBON FIXED CHIP	22K 1/16W J TAPE
R391	R:CARBON FIXED CHIP	220 1/16W J TAPE
R392	R:CARBON FIXED CHIP	390 1/16W J TAPE
R393	R:CARBON FIXED CHIP	47K 1/16W J TAPE
R394	R:CARBON FIXED CHIP	47K 1/16W J TAPE
R395	R:CARBON FIXED CHIP	470 1/16W J TAPE

R396	R:CARBON FIXED CHIP	0 1/8W J TAPE
R397	R:CARBON FIXED CHIP	47K 1/16W J TAPE
R398	R:CARBON FIXED CHIP	10K 1/16W J TAPE
R399	R:CARBON FIXED CHIP	10K 1/16W J TAPE
R401	R:CARBON FIXED CHIP	220K 1/16W J TAPE
R402	R:CARBON FIXED CHIP	2.7K 1/16W J TAPE
R403	R:CARBON FIXED CHIP	5.6K 1/16W J TAPE
R404	R:CARBON FIXED CHIP	390 1/16W J TAPE
R405	R:CARBON FIXED CHIP	10K 1/16W J TAPE
R406	R:CARBON FIXED CHIP	68K 1/16W J TAPE
R407	R:CARBON FIXED CHIP	56K 1/16W J TAPE
R408	R:CARBON FIXED CHIP	2.2K 1/16W J TAPE
R409	R:CARBON FIXED CHIP	390 1/16W J TAPE
R410	R:CARBON FIXED CHIP	10K 1/16W J TAPE
R411	R:CARBON FIXED CHIP	10K 1/16W J TAPE
R412	R:CARBON FIXED CHIP	560K 1/16W J TAPE
R413	R:CARBON FIXED CHIP	68K 1/16W J TAPE
R414	R:CARBON FIXED CHIP	10K 1/16W J TAPE
R415	R:CARBON FIXED CHIP	12K 1/16W J TAPE
R451	R:CARBON FIXED CHIP	8.2K 1/16W J TAPE
R452	R:CARBON FIXED CHIP	27K 1/16W J TAPE
R453	R:CARBON FIXED CHIP	68K 1/16W J TAPE
R455	R:CARBON FIXED CHIP	39K 1/16W J TAPE
R456	R:CARBON FIXED CHIP	10K 1/16W J TAPE
R457	R:CARBON FIXED CHIP	10K 1/16W J TAPE
R458	R:CARBON FIXED CHIP	10K 1/16W J TAPE
R459	R:CARBON FIXED CHIP	10K 1/16W J TAPE
R551	R:CARBON FIXED CHIP	1K 1/16W J TAPE
R552	R:CARBON FIXED CHIP	1K 1/16W J TAPE
R553	R:CARBON FIXED CHIP	1K 1/16W J TAPE
R554	R:CARBON FIXED CHIP	1K 1/16W J TAPE
R555	R:CARBON FIXED CHIP	1K 1/16W J TAPE
R556	R:CARBON FIXED CHIP	1K 1/16W J TAPE
R557	R:CARBON FIXED CHIP	1K 1/16W J TAPE
R558	R:CARBON FIXED CHIP	390 1/16W J TAPE
R559	R:CARBON FIXED CHIP	390 1/16W J TAPE
R560	R:CARBON FIXED CHIP	390 1/16W J TAPE
R561	R:CARBON FIXED CHIP	68 1/10W J TAPE
R563	R:CARBON FIXED CHIP	68 1/10W J TAPE
R565	R:CARBON FIXED CHIP	390 1/16W J TAPE
R566	R:CARBON FIXED CHIP	180 1/16W J TAPE
R567	R:CARBON FIXED CHIP	390 1/16W J TAPE
RT001	R:SEMI-FIXED	RT-582 PVZ3A472E01R00
RT002	R:SEMI-FIXED	RT-582 PVZ3A472E01R00
RT202	R:SEMI-FIXED	RT-582 PVZ3A102E01R00
RT203	R:SEMI-FIXED	RT-582 PVZ3A222E01R00

RT204	R:SEMI-FIXED	RT-582 PVZ3A472E01R00
RT205	R:SEMI-FIXED	RT-582 PVZ3A472E01R00
RT206	R:SEMI-FIXED	RT-582 PVZ3A222E01R00
RT401	R:SEMI-FIXED	RT-582 PVZ3A102E01R00
S551	SWITCH:TACT	SW-877 TC-1105
S552	SWITCH:TACT	SW-877 TC-1105
S553	SWITCH:TACT	SW-877 TC-1105
S554	SWITCH:TACT	SW-877 TC-1105
S555	SWITCH:TACT	SW-877 TC-1105
S556	SWITCH:TACT	SW-877 TC-1105
S557	SWITCH:TACT	SW-877 TC-1105
SP501	SPEAKER	SP-497 YD45F-R41F8-R1
T301	TRANSFORMER:AF CHOKE	TF-157
T302	TRANS	TF-215
TP001	TEST PIN	TP-138 IPS-1820-01-PT
TP002	TEST PIN	TP-138 IPS-1820-01-PT
VR801	R:VARIABLE	RV-976 50KA/5KB
W003	WIRE W-004	UL 1571 #26 3- 35- 3 WHT
W501	WIRE W-004	UL 1571 #26 3- 40- 3 WHT
W502	WIRE W-004	UL 1571 #26 3- 40- 3 GRY
WA951	CORD:DC CORD	WZ-517 1515 W/P
X301	CRYSTAL	QX-848 10.240000MHZ
X302	CRYSTAL	QX-849 4.258996MHZ
Y501	INSULATION SHEET	YY-027
Y502	INSULATION SHEET	YY-027
YI501	BUSHING	YD-019 B312D-11-A